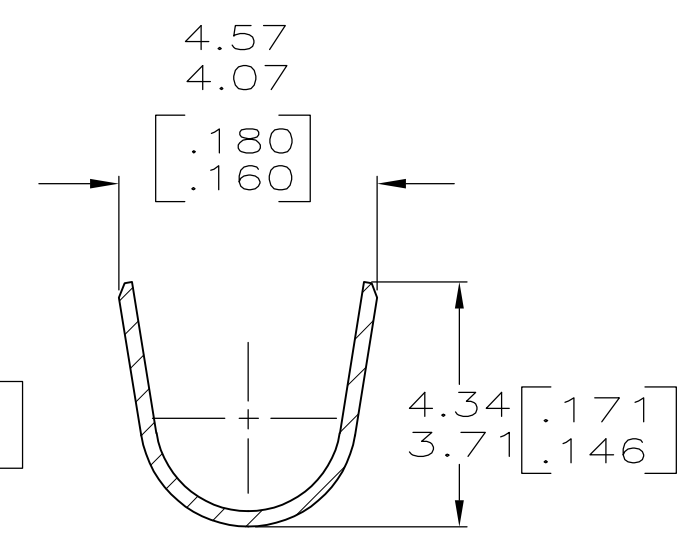
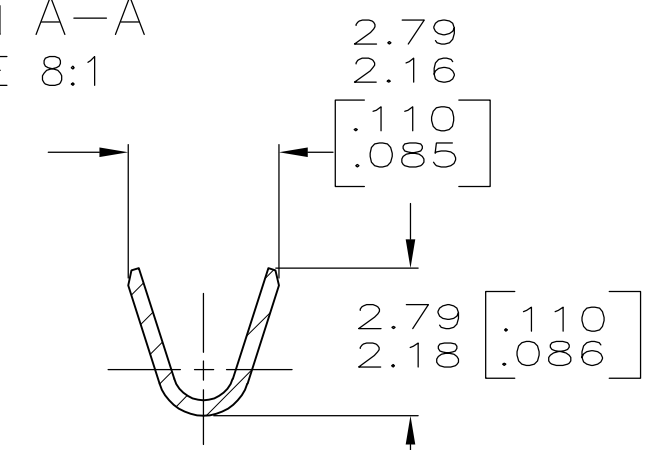
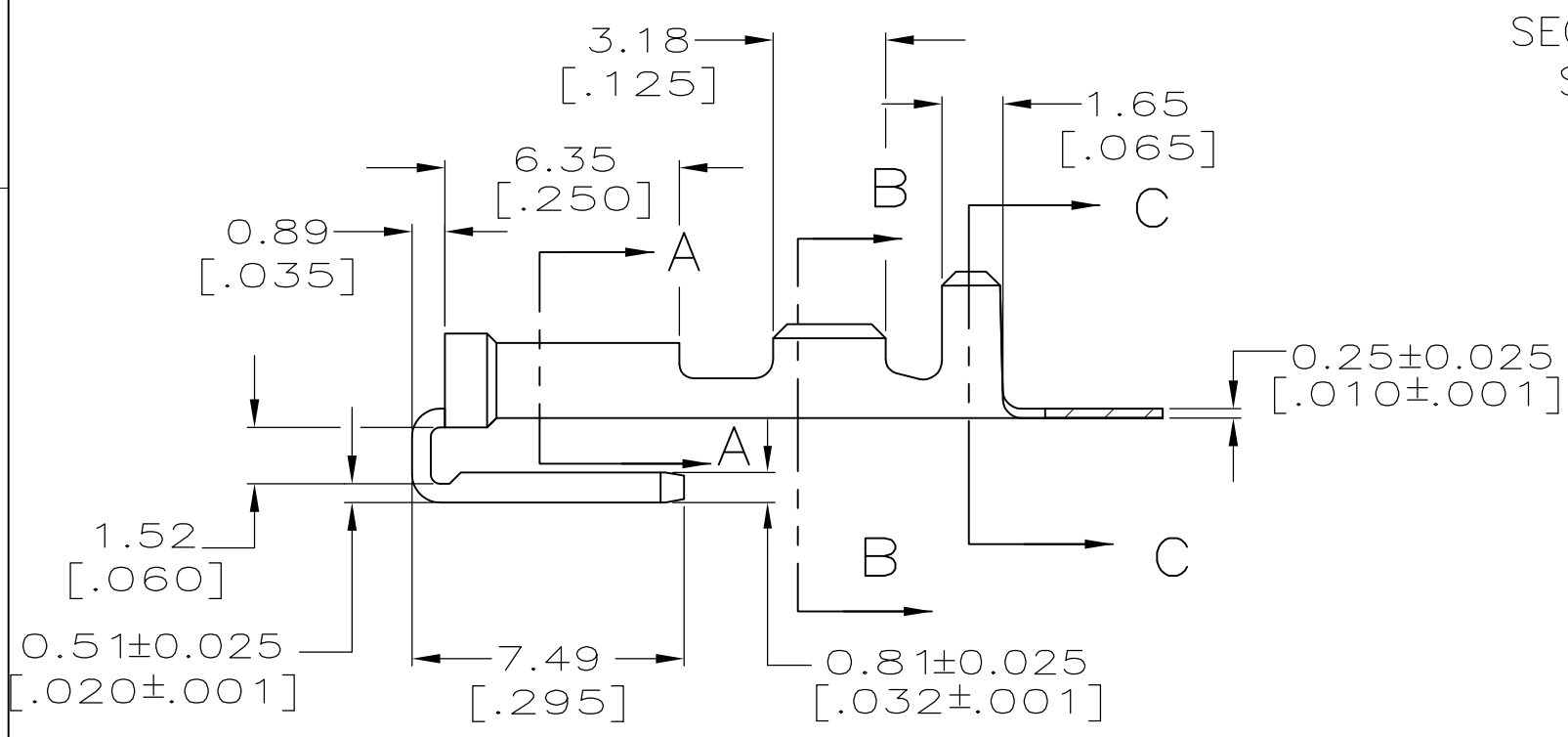
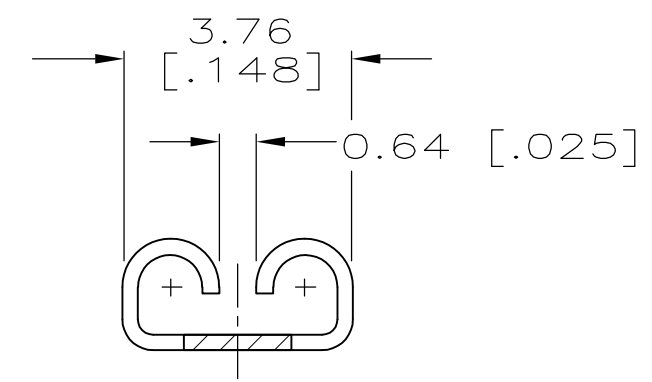
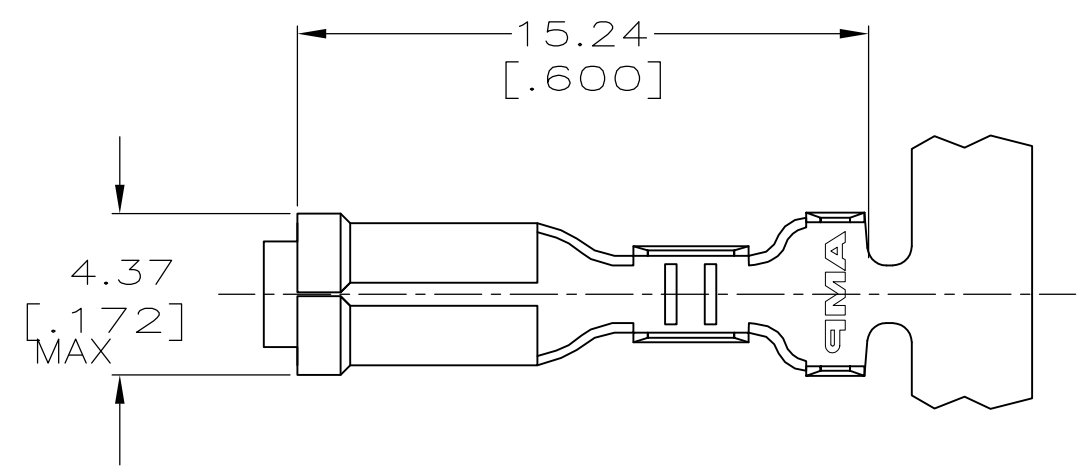


THIS DRAWING IS UNPUBLISHED. RELEASED FOR PUBLICATION
 © COPYRIGHT - By - ALL RIGHTS RESERVED.

LOC	DIST	REVISIONS			
P	LTR	DESCRIPTION	DATE	DWN	APVD
AF	50	B	REVISED PER ECR-13-011489	16DEC2013	KH PD

- CONTINUOUS STRIP ON REELS.
- FIRST INSERTION 10 LBS MAX
FIRST EXTRACTION 2 LBS MIN
USE TEST TAB 62061-2.



2.03-3.05 DIA [.080-.120] DIA	[#22-#18] AWG	0.81±0.025 [.032±.001]	1217145-1
INSULATION RANGE	WIRE SIZE	MATING TAB THICKNESS	PART NO.

THIS DRAWING IS A CONTROLLED DOCUMENT.		DWN JR RUTH 18MAR99	STE TE Connectivity													
DIMENSIONS: mm [INCHES]		CHK MS FEHER 18MAR99														
TOLERANCES UNLESS OTHERWISE SPECIFIED:		APVD D BRATINA 18MAR99	NAME RECEPTACLE, FASTON, PIGGYBACK, 2.79 [.110] SERIES													
<table border="0"> <tr><td>0 PLC</td><td>± -</td></tr> <tr><td>1 PLC</td><td>± -</td></tr> <tr><td>2 PLC</td><td>± 0.25 [.010]</td></tr> <tr><td>3 PLC</td><td>± -</td></tr> <tr><td>4 PLC</td><td>± -</td></tr> <tr><td>ANGLES</td><td>± -</td></tr> </table>		0 PLC	± -	1 PLC	± -	2 PLC	± 0.25 [.010]	3 PLC	± -	4 PLC	± -	ANGLES	± -	PRODUCT SPEC -	APPLICATION SPEC -	
0 PLC	± -															
1 PLC	± -															
2 PLC	± 0.25 [.010]															
3 PLC	± -															
4 PLC	± -															
ANGLES	± -															
MATERIAL BRASS	FINISH 0.002032 [.000080] MIN TIN	114-2082	SIZE A3	CAGE CODE 00779	DRAWING NO C-1217145	RESTRICTED TO -										
CUSTOMER DRAWING			SCALE 5:1	SHEET 1 OF 1	REV B											