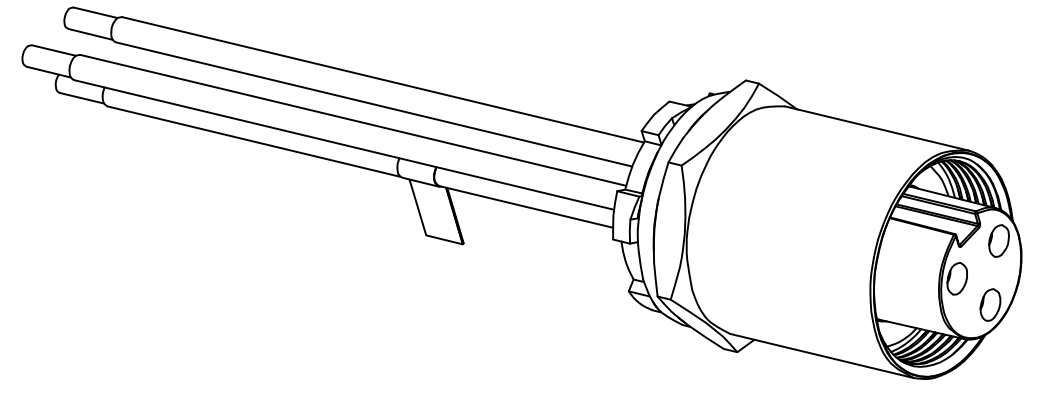


PART NUMBER	ENGINEERING NUMBER	FINISH LENGTH
1300660134	CR3C00A30M005	1.64' [0.5M]
1300660135	CR3C00A30M010	3.28' [1.0M]
1300660240	CR3C00A30M020	6.56' [2.0M]

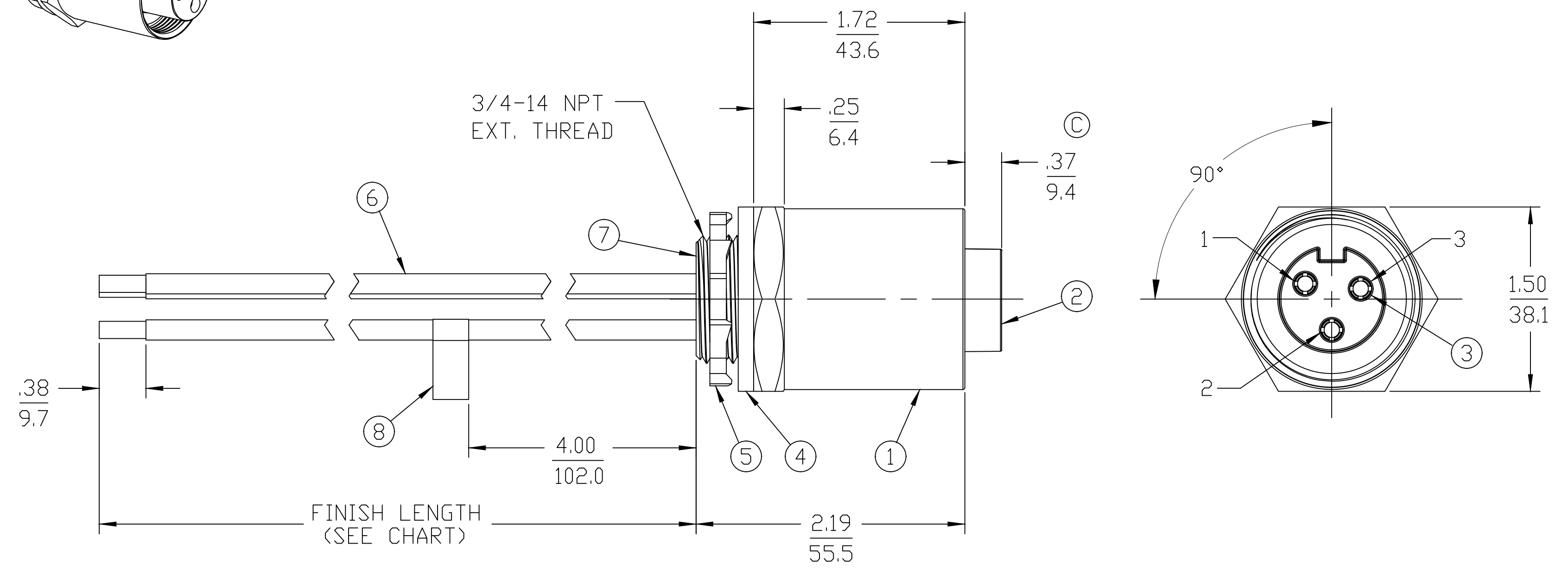


PART NUMBER LEGEND

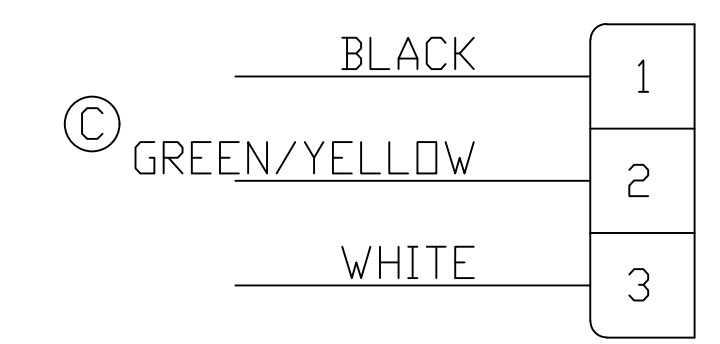
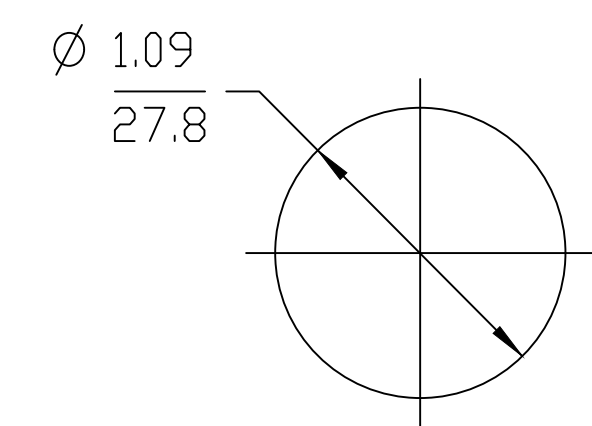
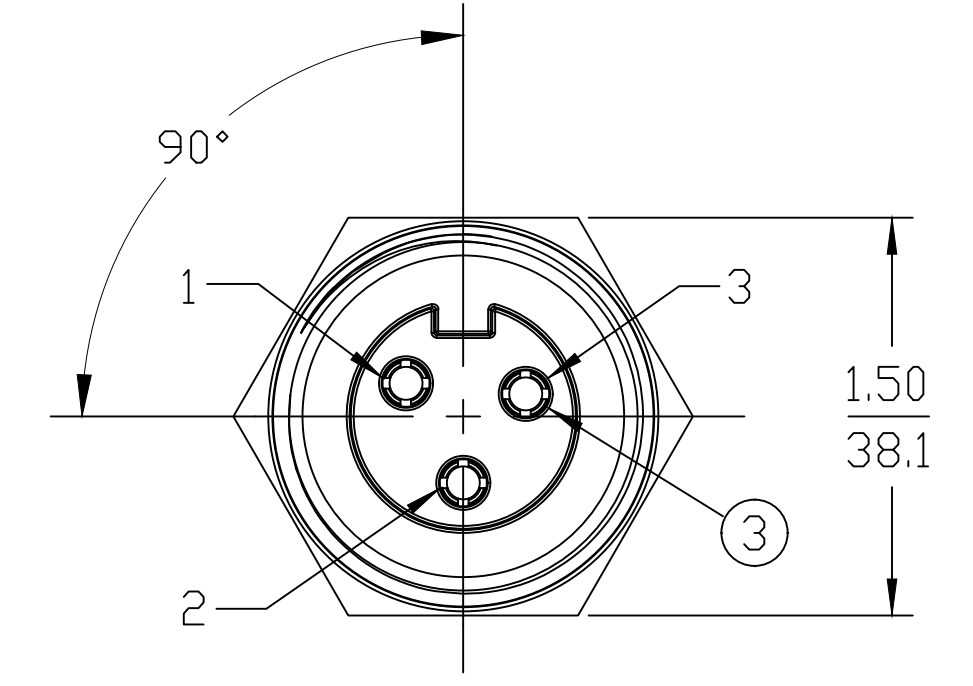
CR3C00A30M005

LENGTH
M005 = 0.5 METER
M010 = 1 METER
M100 = 10 METER

CABLE LENGTH TOLERANCES	
>.3M [1FT]:	+19mm-0 [+ .75in-0]
.3 - .9M [1 - 3FT]:	+44.5mm-0 [+1.75in-0]
.9 - 1.8M [3 - 6FT]:	+55.6mm-0 [+2.19in-0]
1.8 - 3.7M [6 - 12FT]:	+88.9mm-0 [+3.50in-0]
3.7 - 7.3M [12 - 24FT]:	+165.1mm-0 [+6.50in-0]
7.3-14.6M [24 - 48FT]:	+317.5mm-0 [+12.50in-0]
14.6 - 30.5M [48-100FT]:	+622.3mm-0 [+24.50in-0]
OVER 30M [100FT]	+2% OF FINISHED LENGTH



- NOTES:**
- MATERIAL: AS NOTED
 - FINISH: AS NOTED
 - ELECTRICAL:
VOLTAGE: 3P: 630V PER IEC60664
600V PER UL2237
CURRENT: 32A
 - TEMP RATING: -20°TO +90°C
 - PROTECTION: IP67 (WHEN MATED)
 - COUPLING THREAD: 1 3/8-16UN
 - UL LISTED FILE: E258922
 - ALL DIMS ARE FOR REFERENCE UNLESS NOTED OR DIMENSIONED OTHERWISE



ITEM	DESCRIPTION	MATERIAL	FINISH
8	FLAG LABEL	VINYL	YELLOW
7	POTTING	EPOXY	BLACK
6	#10-1 UL1015 WIRE	PVC JACKET	SEE WIRING DIAGRAM
5	LOCKNUT	STEEL	ZINC PLATED
4	GASKET	NEOPRENE	BLACK
3	SOCKET CONTACT	COPPER ALLOY	GOLD PLATED
2	FEMALE INSERT, 3 POLE	TPE (C)	BLACK
1	RECEPTACLE SHELL	ALUMINUM	CLEAR ANODIZED

REF. THIS DRAWING SUPERSEDES COCREATE REV. A

SYMBOLS DIMENSION UNITS: INCH/MM SCALE: 1:1 GENERAL TOLERANCES (UNLESS SPECIFIED): 4 PLACES ± .004 ± .004 3 PLACES ± .005 ± .005 2 PLACES ± .006 ± .006 1 PLACE ± .008 ± .008 0 PLACES ± .010 ± .010 ANGULAR TOL ± .004° DRAFT WHERE APPLICABLE MUST REMAIN WITHIN DIMENSIONS		CURRENT REV DESC: INSERT WAS PVC, CORRECTED .37 DIM, WAS .30, ADD GRN/YEL EC NO: 626034 DRWN: RSTONE 2019/10/18 CHK'D: MZIELINSKI 2020/01/10 APPR: BWOODMAN 2020/01/21 INITIAL REVISION: DRWN: CLYORK 2010/01/18 APPR: DTITUS 2010/01/20 THIRD ANGLE PROJECTION			
DOCUMENT STATUS: P1 RELEASE DATE: 2020/01/21 20:08:15		BRAD POWER RECEPTACLE 3 POLE, FEMALE, SINGLE KEY, 3/4 NPT, 10 AWG		PRODUCT CUSTOMER DRAWING DOCUMENT NUMBER: SD-130066-052 DOC TYPE: PSD DOC PART: 001 REVISION: C	
MATERIAL NUMBER: GENERAL MARKET CUSTOMER:		SERIES: C-SIZE 130066 SHEET NUMBER: 1 OF 1			