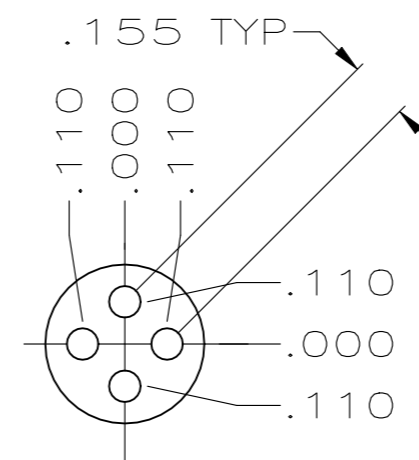
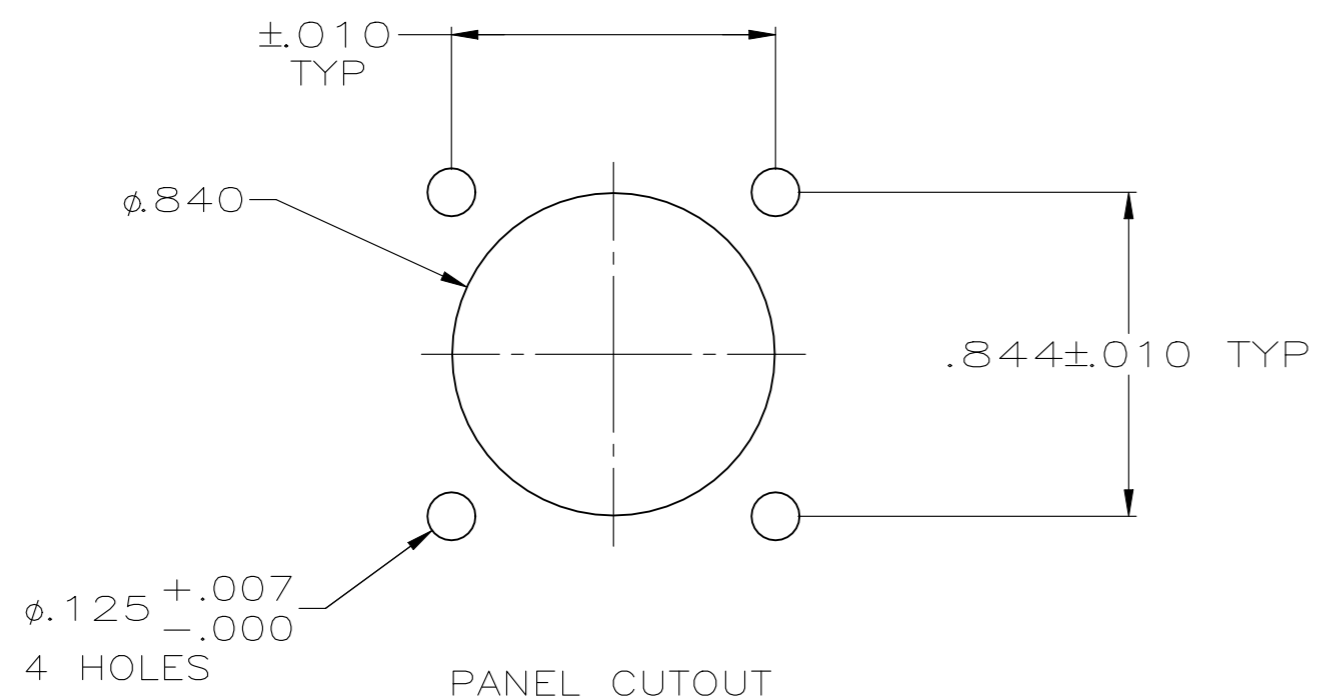
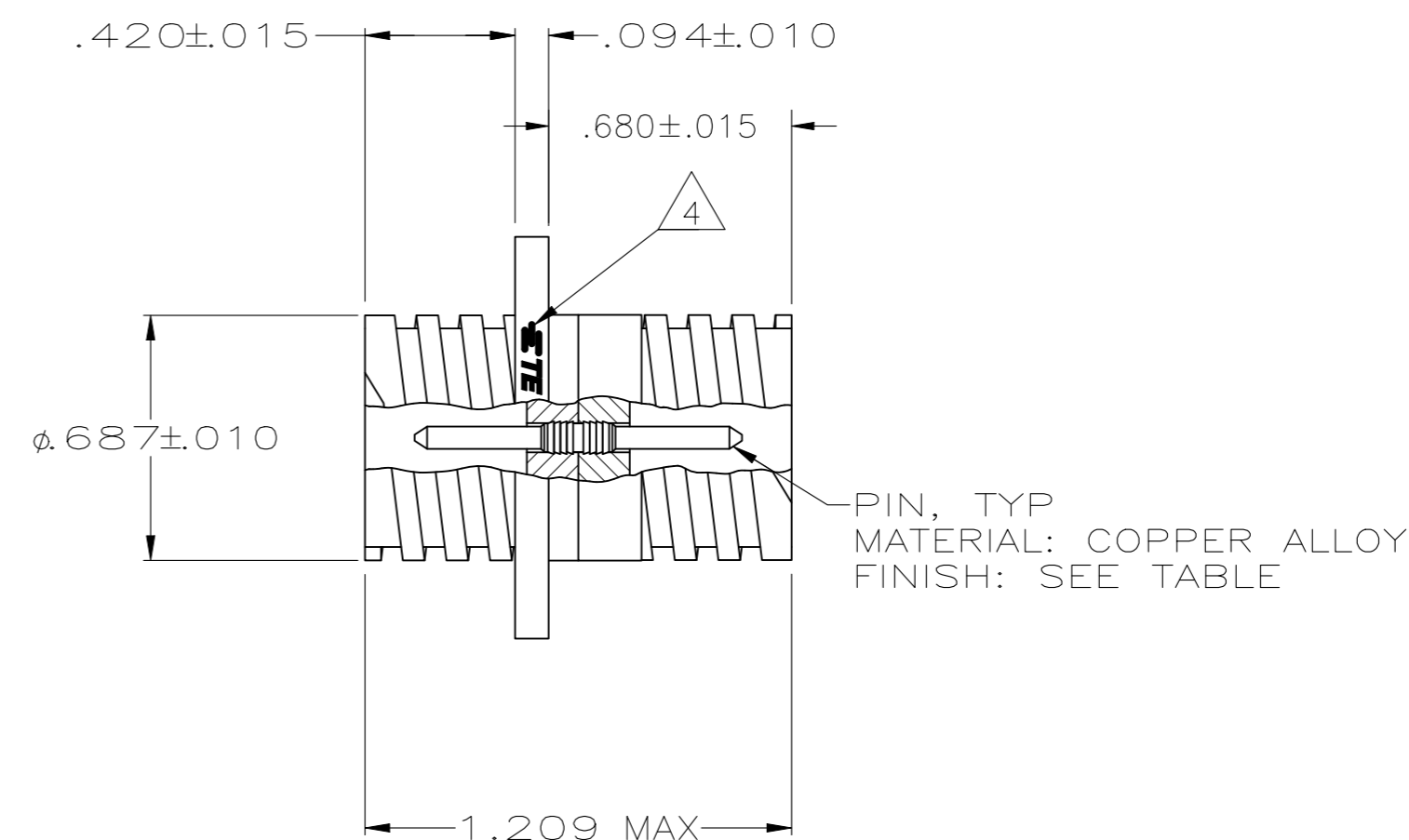
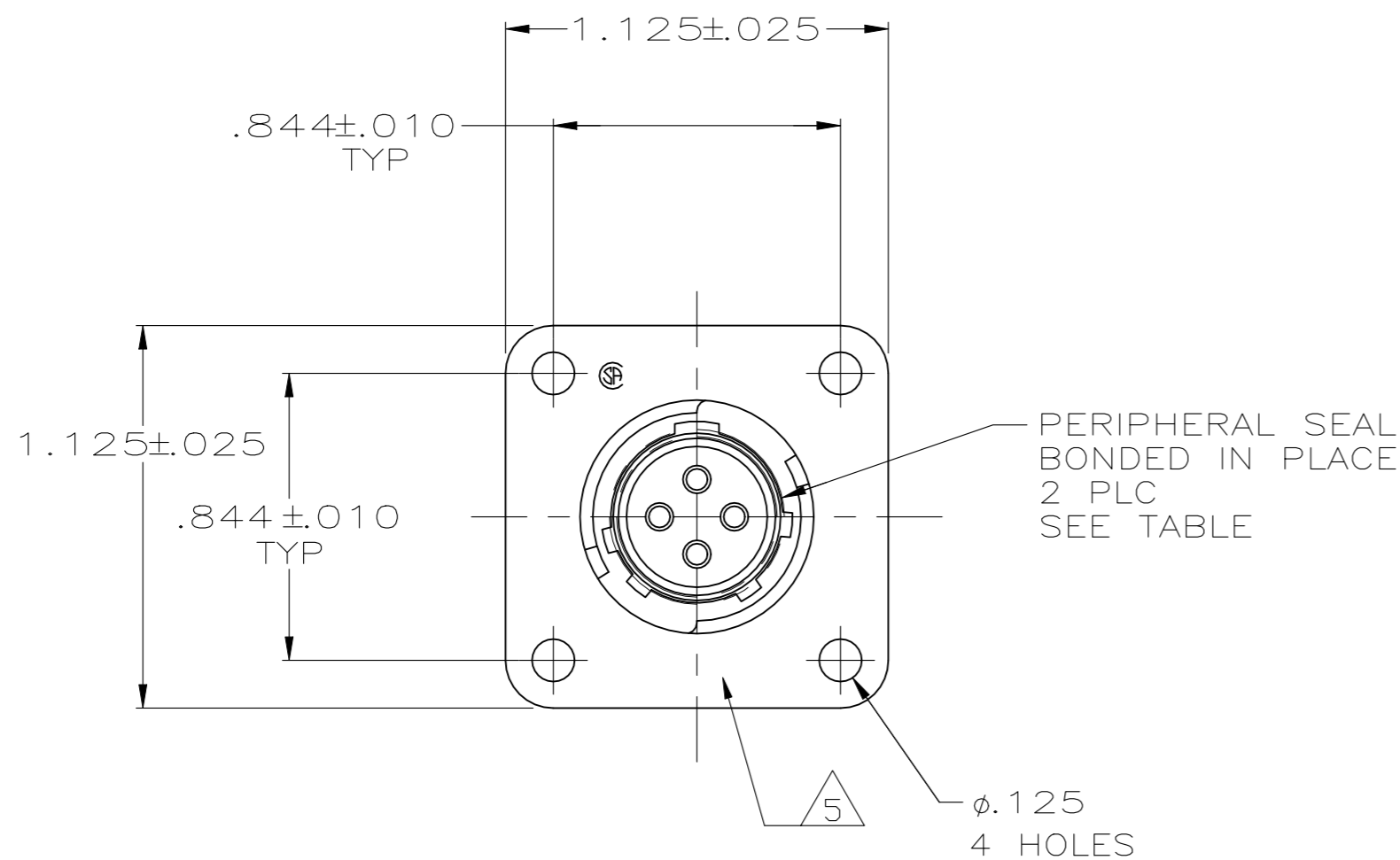


REVISIONS					
P	LTR	DESCRIPTION	DATE	DWN	APVD
G		REVISED PER ECO-21-006948	27OCT2021	RK	MZ



- 1 GOLD PER MIL-G-45204 OVER NICKEL PER QQ-N-290.
- 2 TIN PER MIL-T-10727.
- 3 ACCOMODATES 4 SIZE 16 PIN CONTACTS, PERMANENTLY INSTALLED.
- 4 TE LOGO LOCATED ON ANY FLANGE EDGE
- 5 PART NUMBER LOCATED ANYWHERE ON THIS SURFACE

YES(2)	1	206518-5
NO	1	206518-2
NO	2	206518-1
PERIPHERAL SEAL	CONTACT FINISH	PART NUMBER

THIS DRAWING IS A CONTROLLED DOCUMENT.

DWN: J GALLUCCI BG 5-22-91  
 CHK: W.G.LENKER 4-13-92  
 APVD: -

TE Connectivity  
 RECEPTACLE ASSEMBLY, FEED THRU, SERIES 1, 11-4, CPC

PRODUCT SPEC: 108-10024  
 APPLICATION SPEC: -

MATERIAL: RCPT: THERMOPLASTIC COLOR: BLACK  
 FINISH: SEE TABLE

WEIGHT: -  
 SCALE: 2:1  
 SHEET: 1 OF 1  
 REV: G