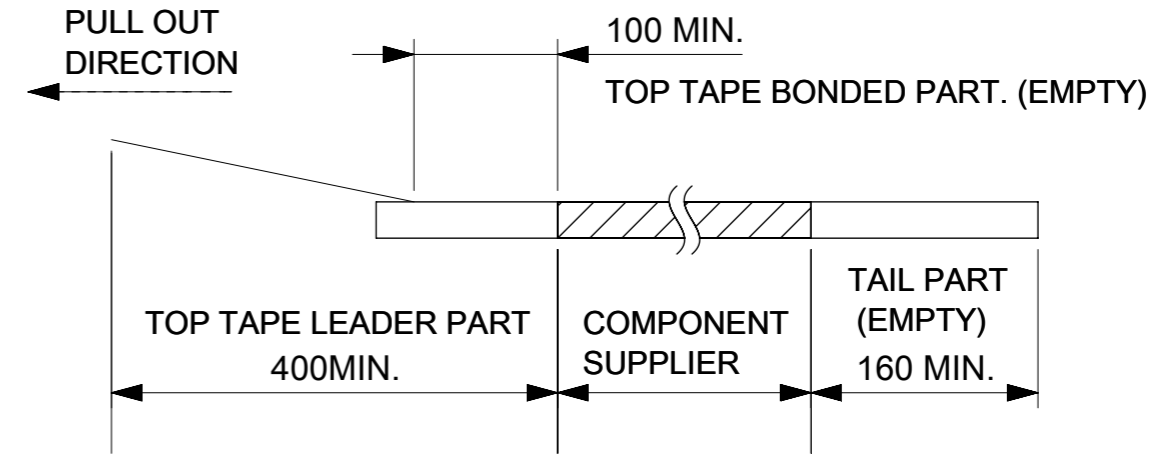
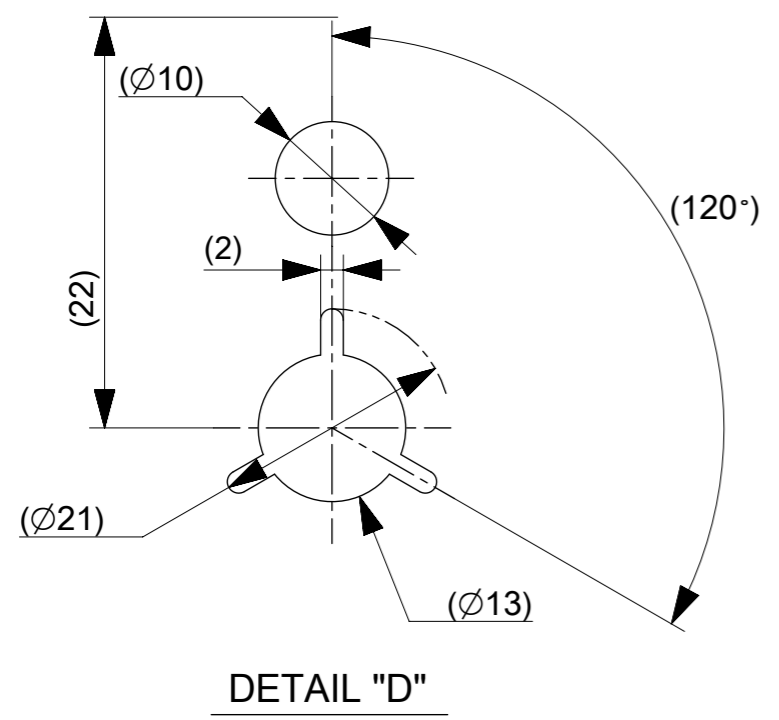


NOTES

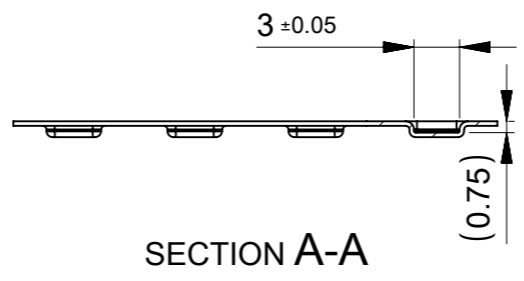
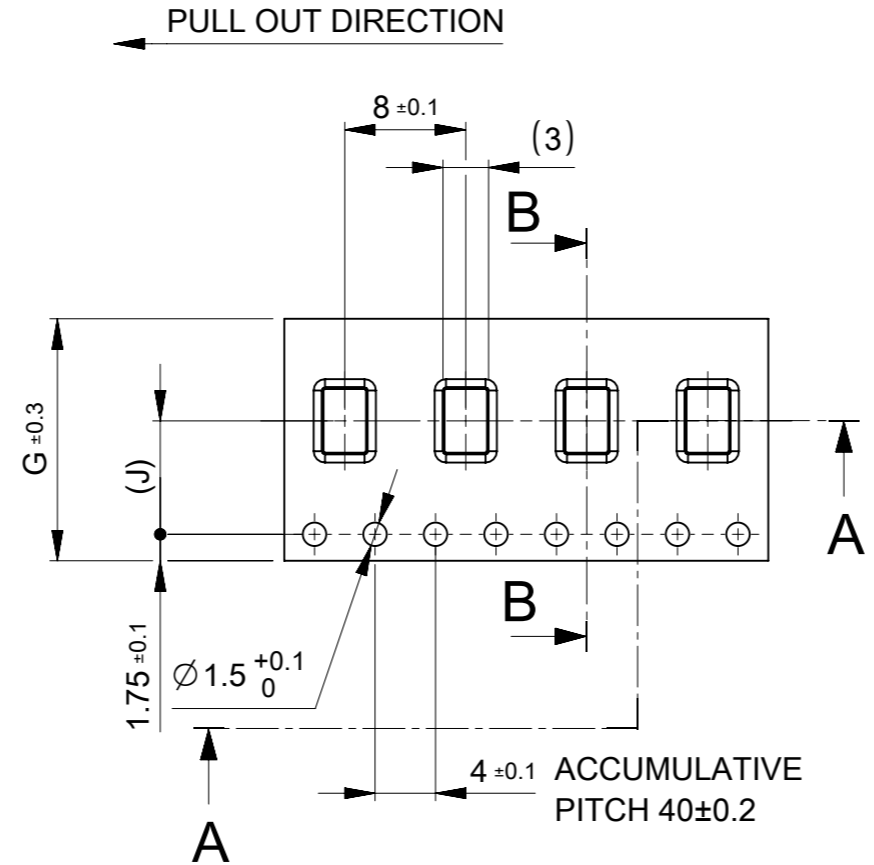
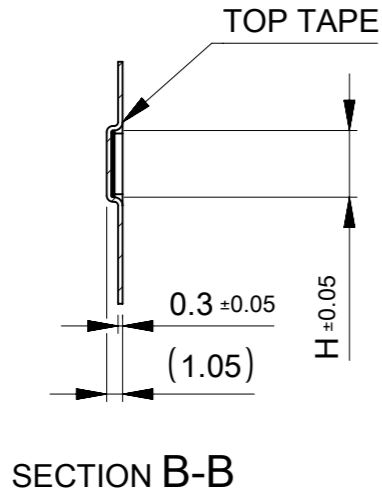
- 1. RE DETAILED DIMENSION, SEE PRODUCT DRAWING.
- 2. NUMBER OF CONNECTORS : 11000PCS/REEL
- 3. LEAD TAPE LENGTH.



- 4. PEELING OFF FORCE OF THE TOP TAPE IS DEFINED BY IEC60286-3.
- 5. MATERIAL  
CARRIER TAPE : POLYSTYRENE OR PET  
TOP TAPE : PET , OTHER  
REEL : POLYSTYRENE (PS) < RECYCLE MATERIAL CONTAINED >
- △6 CONFORM TO 2188769200-SPK/PS/200 FOR PACKAGING SPECIFICATION.
- △7 CONFORM TO 2188769200-SPK/PS/201 FOR PACKAGING SPECIFICATION.



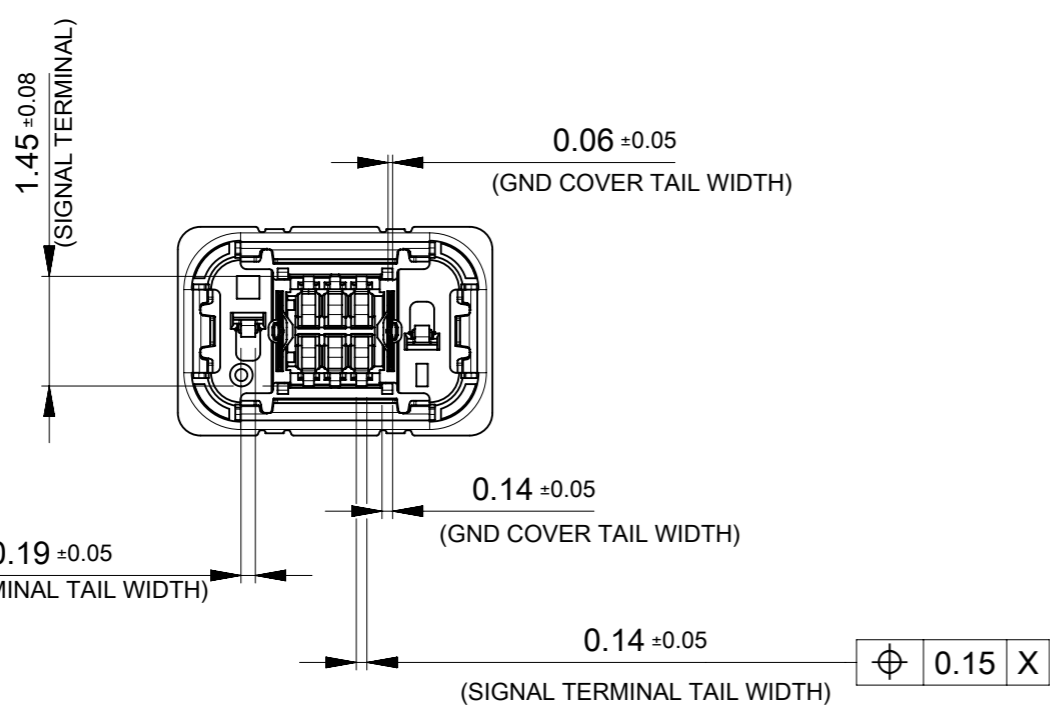
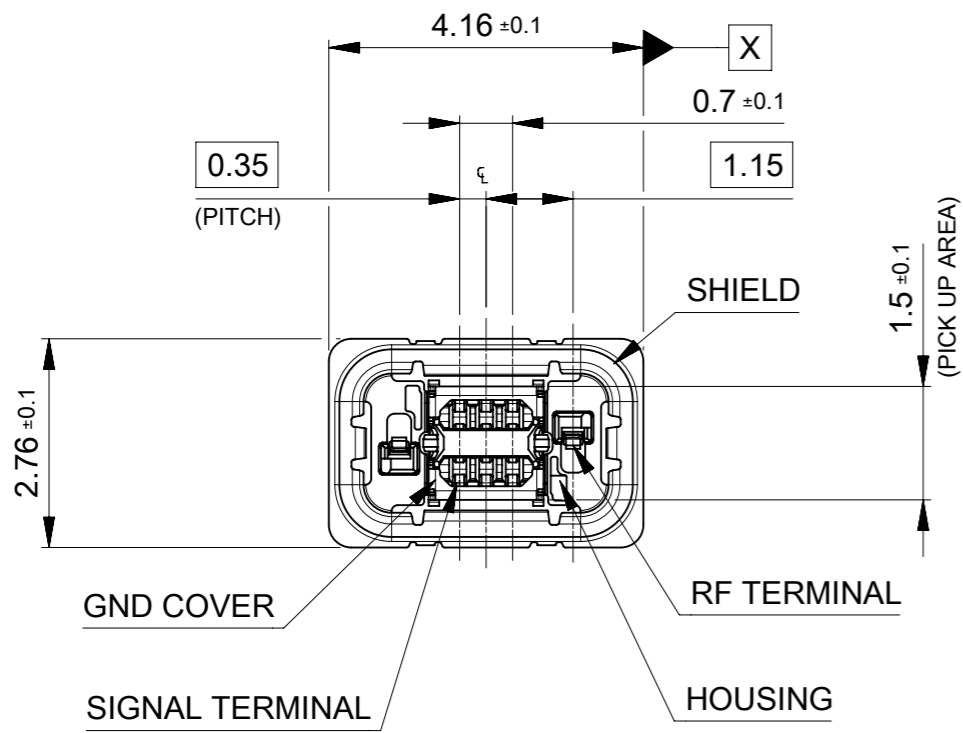
THIS DRAWING CONTAINS INFORMATION THAT IS PROPRIETARY TO MOLEX ELECTRONIC TECHNOLOGIES, LLC AND SHOULD NOT BE USED WITHOUT WRITTEN PERMISSION									
DIMENSION UNITS		SCALE		CURRENT REV DESC:				<b>molex</b>	
mm		1:1							
GENERAL TOLERANCES (UNLESS SPECIFIED)				EC NO: 732080				5G25 REC EMOSS PACKAGE	
ANGULAR TOL ± °				DRWN: RAJMOK 2022/12/02				PRODUCT CUSTOMER DRAWING	
4 PLACES ±				CHK'D: YNUKANOBU 2022/12/15				DOCUMENT NUMBER	
3 PLACES ±				APPR: YNAITO 2022/09/14				2188760000-SD	
2 PLACES ±				INITIAL REVISION:				DOC TYPE	
1 PLACE ±				DRWN: NKONDO 2021/11/09				PSD	
0 PLACES ±				APPR: KSASAKI 2022/09/14				DOC PART	
DRAFT WHERE APPLICABLE MUST REMAIN WITHIN DIMENSIONS				THIRD ANGLE PROJECTION		DRAWING		REVISION	
		A3-SIZE		SERIES		MATERIAL NUMBER		CUSTOMER	
		218876		218876		SEE SHEET-2		GENERAL	
								SHEET NUMBER	
								1 OF 2	



2188760064	2188760062	7.5	4.4	16	21.4	17.4	○	---	6
ORDER NO.	ORDER NO.	J	H	G	F	E	HIGH VOL. TOOL	LOW VOL. TOOL	Ckt.
PACKAGING SPEC:	PACKAGING SPEC:						SAMPLE PREPARATION ○ : TOOLED △ : WORK IN PROCESS --- : TOOLING TO BE CONFIRMED		

CONNECTOR SERIES No: 218876\*\*\*\*

THIS DRAWING CONTAINS INFORMATION THAT IS PROPRIETARY TO MOLEX ELECTRONIC TECHNOLOGIES, LLC AND SHOULD NOT BE USED WITHOUT WRITTEN PERMISSION										
DIMENSION UNITS	SCALE	CURRENT REV DESC:					<b>molex</b>			
mm	2:1	EC NO: 732080 DRWN: RAJMOK 2022/12/02 CHK'D: YNUKANOBU 2022/12/15 APPR: YNAITO 2022/12/19								
GENERAL TOLERANCES (UNLESS SPECIFIED)		INITIAL REVISION:					5G25 REC EMBOSS PACKAGE			
ANGULAR TOL	± °	DRWN: NKONDO 2021/11/09 APPR: KSASAKI 2022/09/14					PRODUCT CUSTOMER DRAWING			
4 PLACES	±	DOCUMENT NUMBER					2188760000-SD			
3 PLACES	±	DOC TYPE					PSD			
2 PLACES	±	DOC PART					000			
1 PLACE	±	REVISION					B			
0 PLACES	±	MATERIAL NUMBER					SEE TABLE			
DRAFT WHERE APPLICABLE MUST REMAIN WITHIN DIMENSIONS		THIRD ANGLE PROJECTION	DRAWING	SERIES	CUSTOMER	SHEET NUMBER				
			A3-SIZE	218876	GENERAL	2 OF 2				



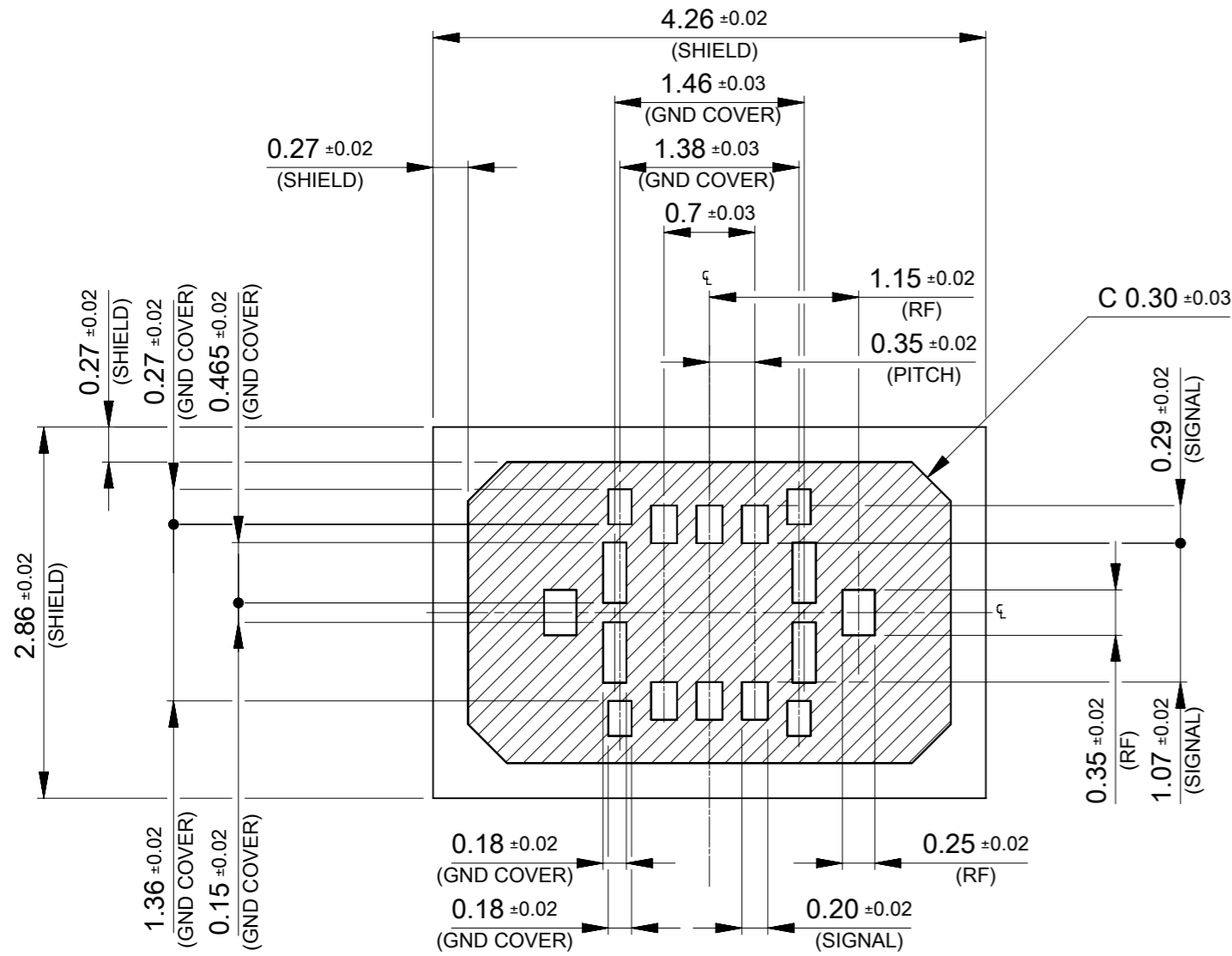
NOTES

- MATERIAL  
 HOUSING : LIQUID CRYSTAL POLYMER UL94V-0(COLOR : BLACK)  
 SIGNAL TERMINAL : COPPER ALLOY  
 RF TERMINAL : COPPER ALLOY  
 SHIELD : COPPER ALLOY  
 GND COVER : COPPER ALLOY
- PLATING  
 SIGNAL TERMINAL  
   CONTACT AREA : GOLD  
   TAIL AREA : GOLD  
   UNDER : NICKEL  
 RF TERMINAL  
   CONTACT AREA : GOLD  
   TAIL AREA : GOLD  
   UNDER : NICKEL  
 SHIELD  
   TAIL AREA : NICKEL (SOLDERABLE)  
 GND COVER  
   CONTACT AREA : GOLD  
   TAIL AREA : GOLD  
   UNDER : NICKEL
- MATE WITH :2188770062
- COPLANARITY TO BE 0.08MAXIMUM.
- △ CONFORM TO 2188769200-SPK/PS/200 FOR PACKAGING SPECIFICATION.
- △ CONFORM TO 2188769200-SPK/PS/201 FOR PACKAGING SPECIFICATION.

2188760064	2188760062	○	---	6
EMBOSED TAPE PACKAGE	EMBOSED TAPE PACKAGE	HIGH VOL. TOOL	LOW VOL. TOOL	SIGNAL CIRCUIT
ORDER No.	ORDER No.	SAMPLE PREPARATION ○ : TOOLED △ : WORK IN PROCESS --- : TOOLING TO BE CONFIRMED		
PACKAGING SPEC: △ 6	PACKAGING SPEC: △ 5			

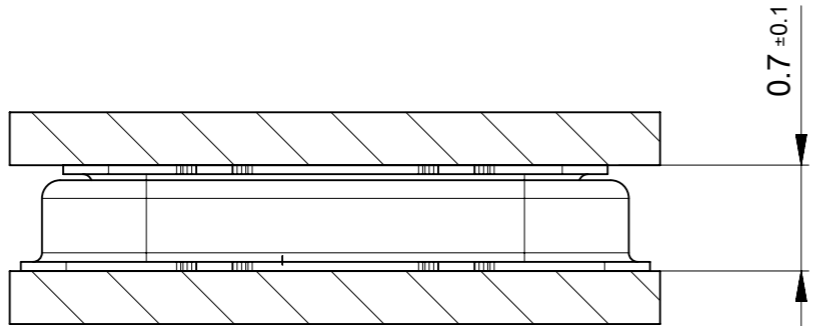
THIS DRAWING CONTAINS INFORMATION THAT IS PROPRIETARY TO MOLEX ELECTRONIC TECHNOLOGIES, LLC AND SHOULD NOT BE USED WITHOUT WRITTEN PERMISSION

DIMENSION UNITS	SCALE	CURRENT REV DESC:		<b>molex</b>		
mm	10:1					
GENERAL TOLERANCES (UNLESS SPECIFIED)				5G25 REC ASSY		
ANGULAR TOL	± 3.0 °	EC NO: 732080		PRODUCT CUSTOMER DRAWING		
4 PLACES	± 0.03	DRWN: RAJMOK	2022/12/02	DOCUMENT NUMBER		
3 PLACES	± 0.03	CHK'D: YNUKANOBU	2022/12/15	DOC TYPE		
2 PLACES	± 0.05	APPR: YNAITO	2022/12/19	DOC PART		
1 PLACE	± 0.1	INITIAL REVISION:		REVISION		
0 PLACES	± 0.2	DRWN: NKONDO	2021/11/09	2188761000-SD		
DRAFT WHERE APPLICABLE MUST REMAIN WITHIN DIMENSIONS		APPR: KSASAKI	2022/09/14	PSD 000 B		
THIRD ANGLE PROJECTION		DRAWING	SERIES	MATERIAL NUMBER	CUSTOMER	SHEET NUMBER
A3-SIZE		218876	SEE TABLE	GENERAL		1 OF 2



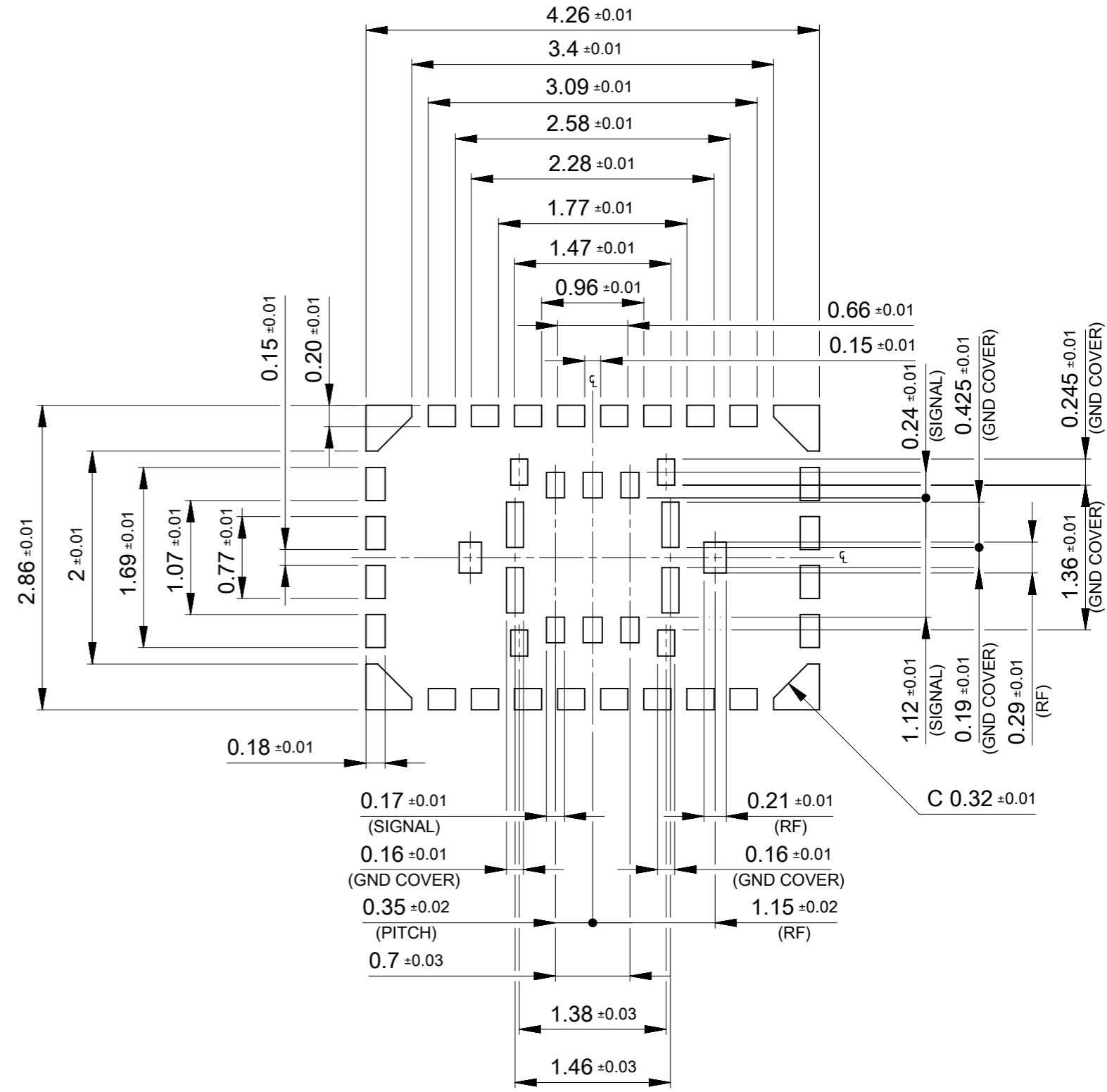
**P.W. BOARD PATTERN LAYOUT**

**SOLDERING PROHIBITED AREA**  
 WHEN WIRING IS LOCATED, THE WIRING MUST BE MASKED  
 BY COVER LAY OR RESIST FILM.



**MATED CONDITION**

THIS DIMENSION SHOW A DIMENSION BETWEEN THE TAIL TO TAIL.



**METAL MASK LAYOUT**

THICKNESS OF METAL MASK : t=0.08mm

THIS DRAWING CONTAINS INFORMATION THAT IS PROPRIETARY TO MOLEX ELECTRONIC TECHNOLOGIES, LLC AND SHOULD NOT BE USED WITHOUT WRITTEN PERMISSION									
DIMENSION UNITS	SCALE	CURRENT REV DESC:							
mm	20:1	<div style="text-align: center;"><b>molex</b></div> 5G25 REC ASSY PRODUCT CUSTOMER DRAWING							
GENERAL TOLERANCES (UNLESS SPECIFIED)									
ANGULAR TOL	± 3.0 °								
4 PLACES	± 0.03								
3 PLACES	± 0.03								
2 PLACES	± 0.05	EC NO: 732080	DRWN: RAJMOK	2022/12/02	DOCUMENT NUMBER: <b>2188761000-SD</b> DOC TYPE: PSD DOC PART: 000 REVISION: B				
1 PLACE	± 0.1	CHK'D: YNUKANOBU	2022/12/15	APPR: YNAITO					
0 PLACES	± 0.2	INITIAL REVISION:			DOCUMENT NUMBER		DOC TYPE		DOC PART
DRAFT WHERE APPLICABLE MUST REMAIN WITHIN DIMENSIONS		THIRD ANGLE PROJECTION	DRAWING	SERIES	MATERIAL NUMBER	CUSTOMER		SHEET NUMBER	
			A3-SIZE	218876	SEE SHEET-1	GENERAL		2 OF 2	