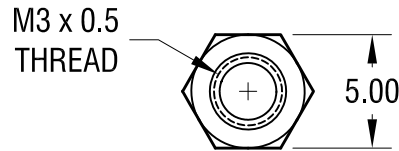
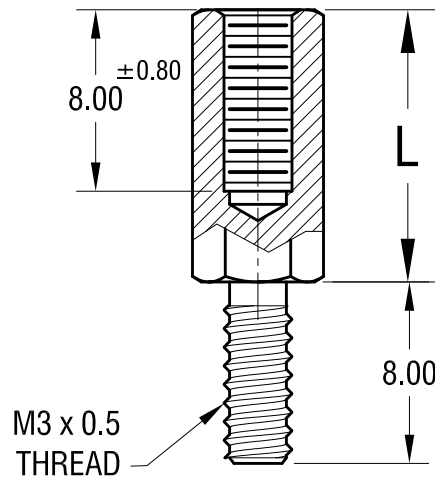


THIS DOCUMENT IS THE PROPERTY OF
KEYSTONE ELECTRONICS CORP. AND
SHALL NOT BE REPRODUCED, DISTRIBUTED
OR USED AS A BASIS FOR MANUFACTURE
WITHOUT PRIOR WRITTEN PERMISSION
FROM KEYSTONE ELECTRONICS CORP.

ACTUAL SIZE



P/N 24337



PART NO.	'L' DIM.
24337	10.00
24338	12.00
24339	15.00
24340	18.00
24341	20.00
24342	25.00

NOTE:

1. ALL DIMENSIONS ARE IN MILLIMETERS

KEYSTONE ELECTRONICS CORP.

www.keyelco.com • NEW HYDE PARK, NY 11040 • Tel (516) 328-7500

PART NAME

5 mm HEX M/F STANDOFF

MATERIAL

ALUMINUM

FINISH

CLEAR IRIDITE

DRN BY

BOONE

DATE

5.08.06

APP'D

RH

SCALE

3X

TOLERANCES

INCH

[MM]

CODE

DWG NO.

DECIMAL ± .005 [± 0.13]

C

ANGULAR ± 1°
UNLESS OTHERWISE SPECIFIED

24337- 24342

DATE

DESCRIPTION

REV.