

4

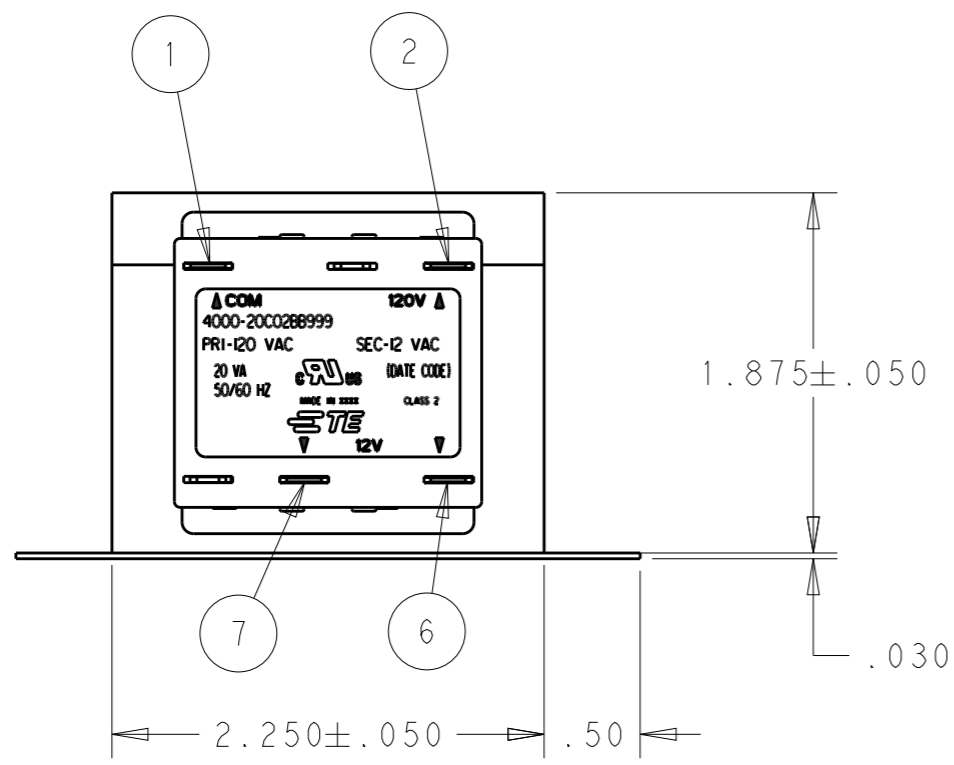
3

2

1

THIS DRAWING IS UNPUBLISHED. RELEASED FOR PUBLICATION 20
 © COPYRIGHT 20 BY - ALL RIGHTS RESERVED.

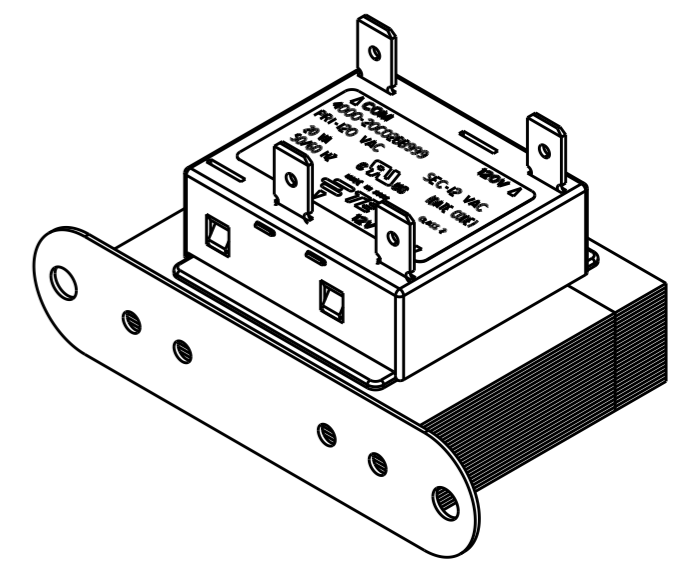
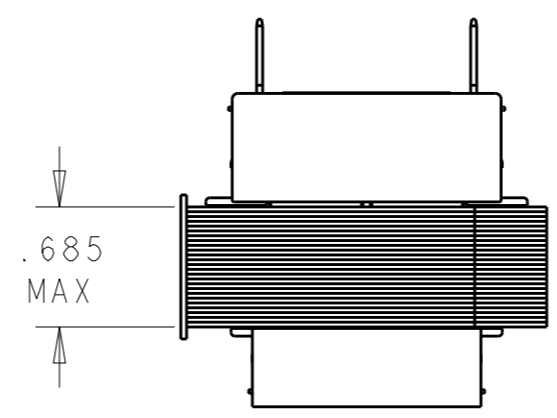
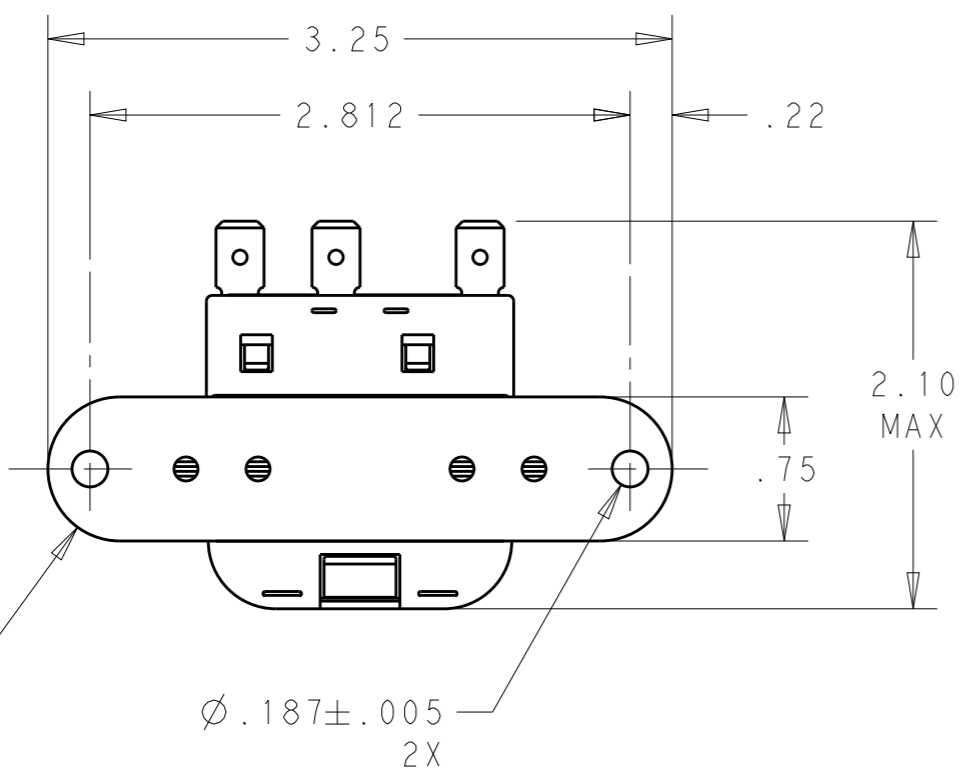
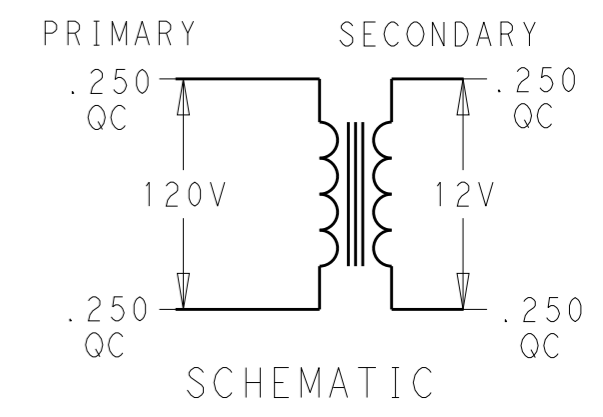
REVISIONS				
P	LTR	DESCRIPTION	DATE	APVD
B		ECR-17-007192	21NOV2017	VS DB




CERTIFICATION: UL & cUL FILE NO. E87824

PRIMARY			SECONDARY		
TERMINAL NO.	1	2	TERMINAL NO.	6	7
VOLTAGE	COM	120	VOLTAGE	12	VAC
TERM. WIDTH	.250	.250	TERM. WIDTH	.250	.250
TERM. THICKNESS	.032	.032	TERM. THICKNESS	.032	.032

1. WINDING PROTECTION: INHERENTLY LIMITING.



7-1611449-1
TE PART NO.

THIS DRAWING IS A CONTROLLED DOCUMENT.		DWN VIC SLACK 23MAY2017	 TE Connectivity	
DIMENSIONS: INCHES		CHK D. BLOESCH 23MAY2017		
TOLERANCES UNLESS OTHERWISE SPECIFIED:		APVD D. BLOESCH 23MAY2017	NAME TRANSFORMER OUTLINE	
0 PLC ±- 1 PLC ±.1 2 PLC ±.03 3 PLC ±.015 4 PLC ±- ANGLES ±-		PRODUCT SPEC -	RESTRICTED TO -	
MATERIAL -		FINISH -	WEIGHT -	SIZE A3
-		APPLIC. SPEC -	SCALE 1:1	CAGE CODE -
-		CUSTOMER DRAWING	DRAWING NO. C-4000-20C02BB999	SHEET 1 OF 1
-			REV B	