

Würth Elektronik eiSos GmbH &amp; Co. KG

EMC &amp; Inductive Solutions

Max-Eyth-Straße 1 · 74638 Waldenburg · Germany

Tel. +49 (0) 79 42 945-0 · Fax +49 (0) 79 42 945-400

eiSos@we-online.de · www.we-online.de



## Product / Process Change Notification (PCN)

- Major change  
 Minor change

**PCN #:** PCN\_ConDCPJ\_20210921  
**Affected Series:** WE-ConDCPJ -  
 694106402002 - 694108402002

**PCN Date:** June 21, 2021  
**Effective Date:** September 21, 2021

### Change Category:

- Equipment / Location  
 General Data  
 Material  
 Process  
 Product Design  
 Shipping / Packaging  
 Supplier  
 Software

**Contact:** Product Management  
**Phone:** +49 (0) 7942 - 945 5001  
**Fax:** +49 (0) 7942 - 945 5179  
**E-Mail:** pcn.eican@we-online.com

### Data Sheet Change:

- Yes  No

### Attachment:

- Yes  No

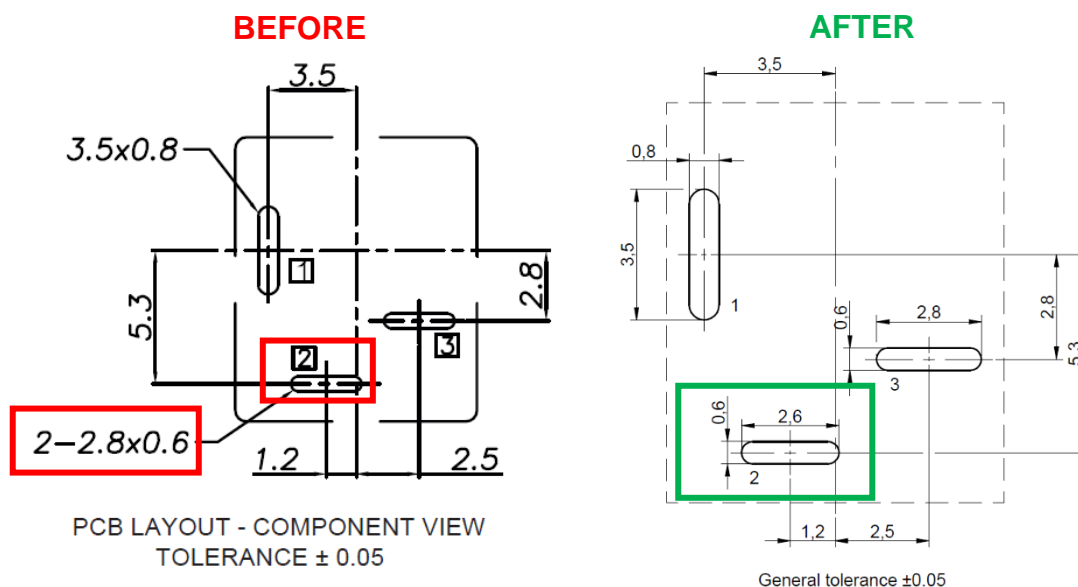
### DESCRIPTION AND PURPOSE OF CHANGE:

Because of a database mismatch, Würth Elektronik is correcting the PCB layout for this reference.

This is a datasheet correction only.

There will be no change in form, fit, function, quality or reliability of the product.

### DETAIL OF CHANGE:



**Würth Elektronik eiSos GmbH & Co. KG**

**EMC & Inductive Solutions**

Max-Eyth-Straße 1 · 74638 Waldenburg · Germany

Tel. +49 (0) 79 42 945-0 · Fax +49 (0) 79 42 945-400

eiSos@we-online.de · www.we-online.de



**RELIABILITY / QUALIFICATION SUMMARY:**

There will be no change of the product, therefore no additional reliability or qualification testing will be performed.