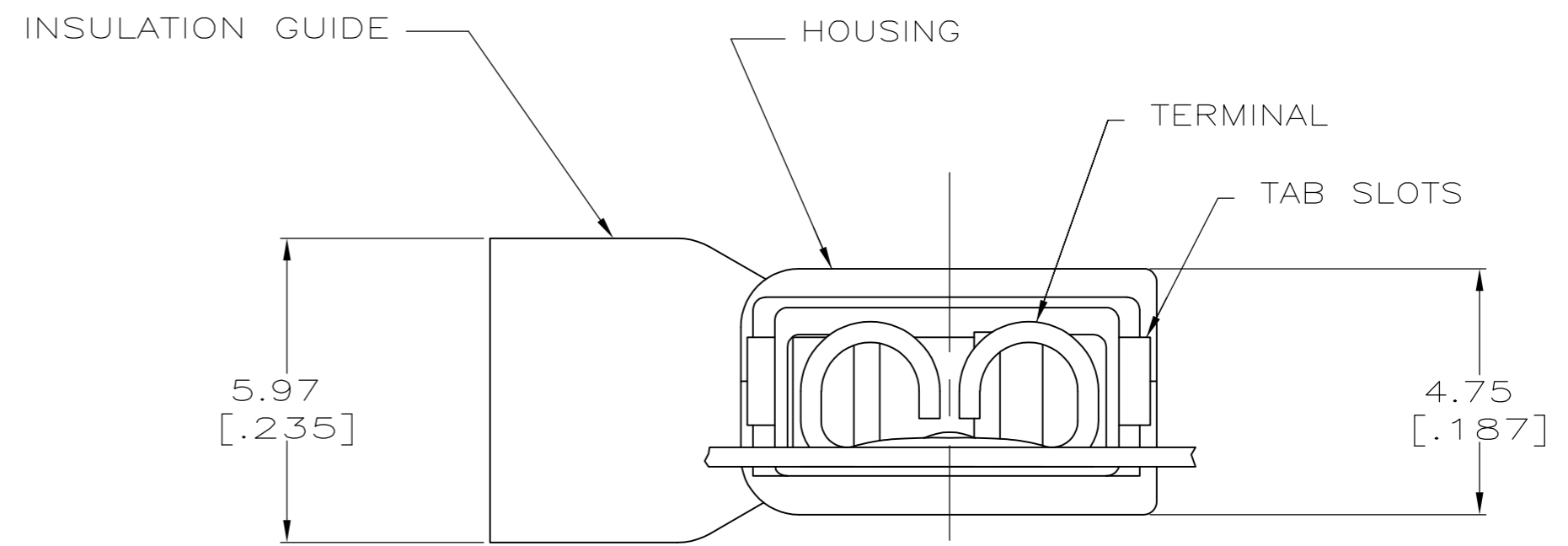
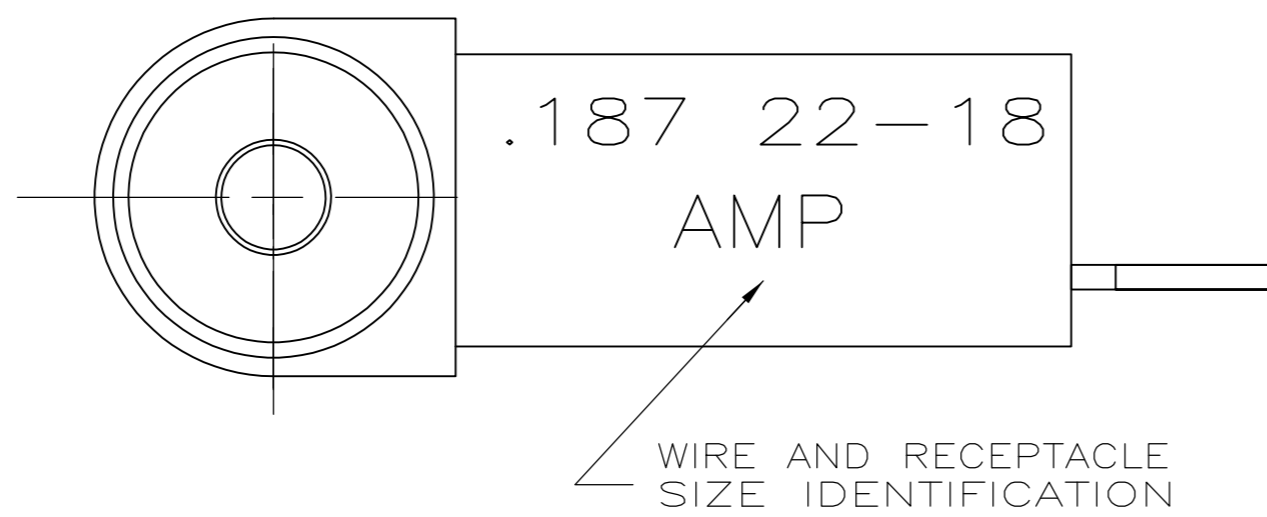
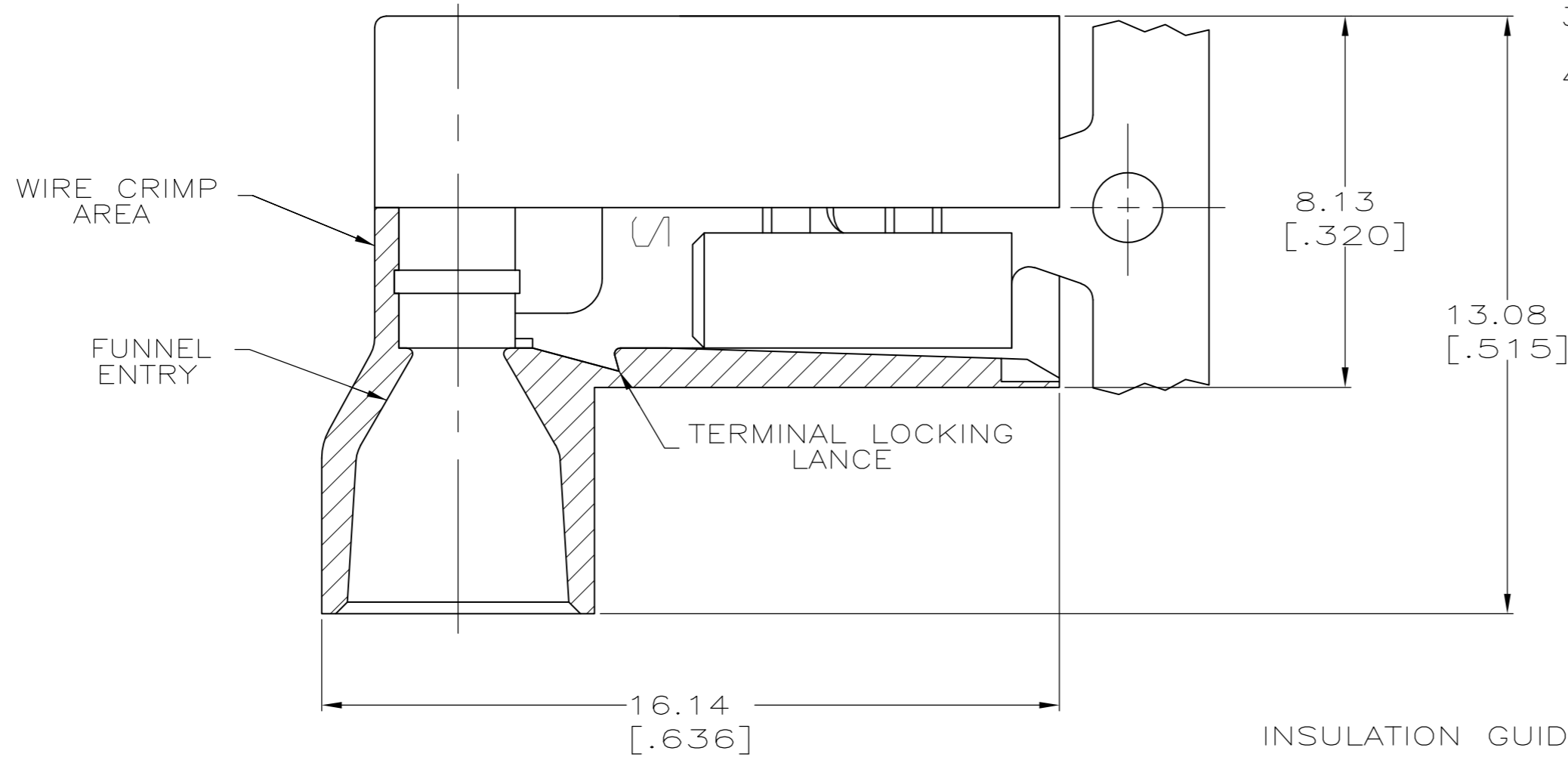


THIS DRAWING IS UNPUBLISHED. RELEASED FOR PUBLICATION
 © COPYRIGHT - By - ALL RIGHTS RESERVED.

| LOC | | DIST | | REVISIONS | | | |
|-----|-----|-------------|--|---------------------------|---------|-------|--|
| P | LTR | DESCRIPTION | | DATE | DWN | APVD | |
| AF | 50 | P | | | | | |
| | | P | | REVISED PER ECR-13-004343 | 30JUL13 | KH KR | |

- 1 FITS 0.81±0.025 X 4.75 [.032±.001 X .187] TAB
- 2 WIRE SIZE: 0.3-0.9mm² [22-18 AWG], STRANDED ONLY.
STRIP LENGTH 7.14 [.281]
- 3 INSULATION SIZE: 4.19 [.165] MAX DIA.
- 4 CONTINUOUS STRIP



| | | | | | |
|-----------|----------------|-----------------|----------|--------|------------|
| BULK | | RED TRANSLUCENT | | | 5-520336-2 |
| STANDARD | TYPE 6/6 NYLON | BLACK | BRASS | TIN | 9-520336-2 |
| | | RED TRANSLUCENT | | | 2-520336-2 |
| PACKAGING | MATERIAL | COLOR | MATERIAL | FINISH | PART NO |
| HOUSING | | | TERMINAL | | |

| | | | | | |
|---|------------------|---------------------------|---|-----------------|---------------------|
| THIS DRAWING IS A CONTROLLED DOCUMENT. | | DWN P FORTNEY 8/6/90 | TE Connectivity RECEPTACLE ASSEMBLY, ULTRA-FAST FLAG, 4.75 [.187] SERIES | | |
| DIMENSIONS: mm [INCHES] | | CHK MS FEHER 8/9/90 | | | |
| TOLERANCES UNLESS OTHERWISE SPECIFIED: | | APVD D BRATINA 8/17/90 | | | |
| 0 PLC ± - 1 PLC ± - 2 PLC ± 0.38 [.015] 3 PLC ± - 4 PLC ± - ANGLES ± - | | PRODUCT SPEC 108-2043 | | | |
| MATERIAL SEE TABLE | FINISH SEE TABLE | APPLICATION SPEC 114-2123 | SIZE A2 | CAGE CODE 00779 | DRAWING NO C=520336 |
| CUSTOMER DRAWING | | | SCALE 8:1 | SHEET 1 of 1 | REV P |

520336

A