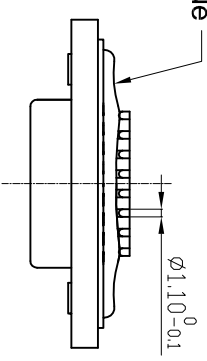
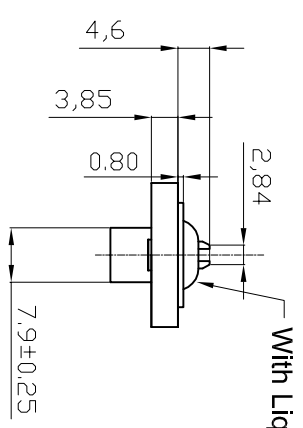
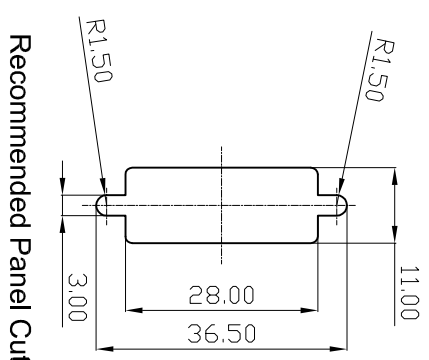
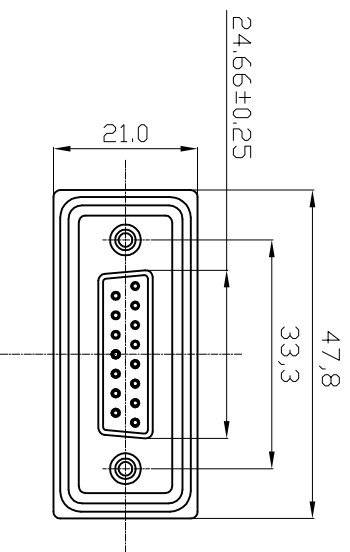
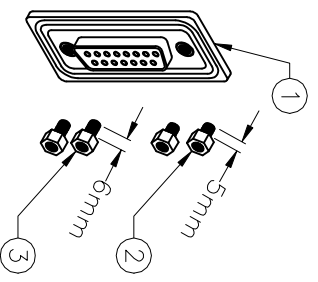


**Panel Thickness**  
Screw L=5.0 For Panel Thickness Under 1.2mm  
Screw L=6.0 For Panel Thickness Between 1.2-2.0mm



- NOTES:**
- MATERIAL**
1. Insulator Material: Black, NYLON+G/F
  2. Contact Material : Copper Alloy
  3. Plating : Gold Plating
  4. Waterproof Rate: IP67
  5. Applicable Wire Range: 22AWG-26AWG
  6. Do Mating Test After Glued



**ROHS compliant**  
Unit: mm

Scale	Free				
TOLERANCE	±0.25				
X.X	±0.10				
X.XXX	±0.05				
DIM	TOL	②	Cancel LOGO	24.01.2018	Tom
ANGLE	±1°	①	Drawn	24.12.2008	JACK
X.X°	±X°				
Angle	TOL		Modification		



Customer-No.	Date	Name	Customer-No.	Sheet
	24.12.2008	JACK	ASSMANN WSW-No.	
	24.01.2018	Amy	A-DF 15 LL-WP	
			Drawing-No.	
			ASS 3253 CO	rev02
			Replace	

1	2	3	4	5	6	7	A
1	2	3	4	5	6	7	B
1	2	3	4	5	6	7	C
1	2	3	4	5	6	7	D
1	2	3	4	5	6	7	E
1	2	3	4	5	6	7	F
1	2	3	4	5	6	7	G
1	2	3	4	5	6	7	H