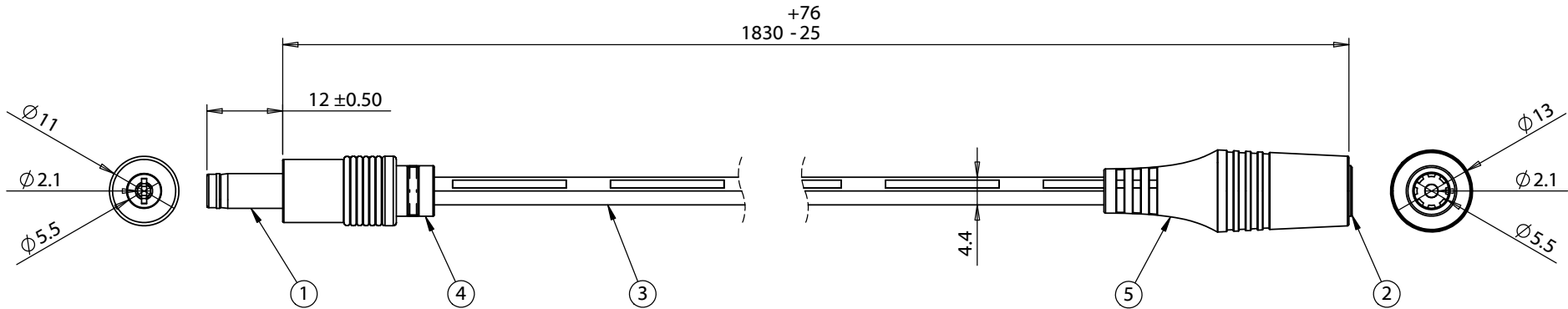


ITEM NO.	PART NUMBER	DESCRIPTION	QTY.	COMPONENT NOTES
1	50-00024	Connector, dc plug, 5.5x2.1xL23 mm, molding style, spring contacts	1	
2	50-00025	Connector, dc jack, 5.5x2.1xL17.4 mm, molding style	1	
3	30-00007	Wire, 2C BC, 18 AWG, UL2468, 300V, 80C, 4.4 mm, VW-1, PVC, 87A	1	
4	24-00016	Overmold, PVC	1	black
5	24-00054	Overmold, PVC	1	black



Notes:

Electical requirement: 3 A, 36 Vdc

Hi-Pot test: 600 Vac, 0.5 mA, 1 second

Wiring Diagram		
50-00024	wire color	50-00025
center	black with stripe	center
sleeve	black	sleeve

Revision:	Date:	Description:	Prepared:	Notes:	<h1>TENSILITY</h1> <p>tel 1.541.323.3228 800 877.670.7118 fax 1.541.323.4202 web tensility.com</p>
A	1/19/2009	Re-issue CUI spec as Tensility	GL 2016.09.07 11:45:23 -07'00'	RoHS compliant	
A1	8/31/2011	Updated description, connector, and wire information	Verified: PS <small>Digitally signed by PS Date: 2016.09.07 14:01:50 -07'00'</small>	Function test: no open, no short circuit, no intermittent	
A2	9/10/2013	Updated connector	Dimensions are in millimeters. Tolerances: X: ± 0.5 mm X.X: ± 0.3 mm X.XX: ± 0.05 mm	Description: Cable, 1830 mm, 5.5x2.1x12 mm 50-00024 dc plug to 5.5x2.1 50-00025 dc jack, 18 AWG, 30-00007 wire	
A3	9/26/2013	Updated connector			
Scale: 1:1		Part number: 053-0378R (CA-2210)		Sheet 1 of 1	