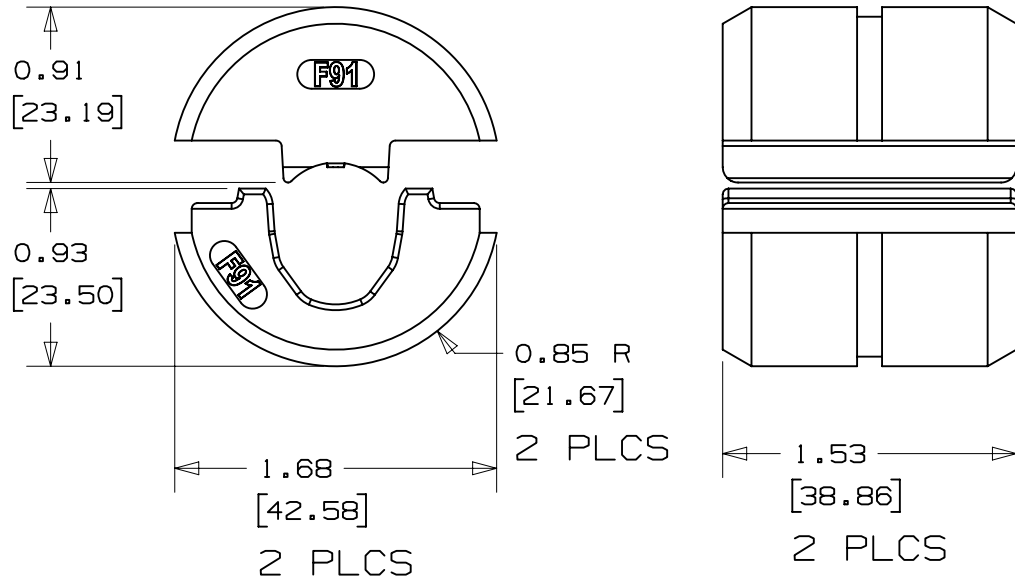


THIS COPY IS PROVIDED ON A RESTRICTED BASIS AND IS NOT TO BE USED IN ANY WAY DETRIMENTAL TO THE INTERESTS OF PANDUIT CORP.

NOTES, UNLESS OTHERWISE SPECIFIED:

PART MUST BE RoHS COMPLIANT.

- 1. DIMENSIONS IN BRACKETS ARE IN METRIC.
- 2. RECOMMENDED TOOL: CT-3001/ST
- 3. COMPATIBLE TOOLS: CT-2931/ST, CT-920CH, CT-930LPCH
- 4. WIRE SIZE: 4/0, 250kcmil
- 5. CRIMPS: F91 FERRULES - ALL SIZES
- 6. DIE HALVES ARE HEAT TREATED TO Rc 32-35
- 7. DIE HALVES ARE NICKLON PLATED FOR LUBRICITY/DURABILITY



INSTALLATION INSTRUCTION NUMBER PA28870A01		WORK INSTRUCTION FMEA & CONTROL PLAN NUMBER N/A						
TITLE CD-920-F91 CUSTOMER DRAWING								
CUSTOMER DRAWING								
ITEM REVISION NAME R28877AA/01		PANDUIT						
DATASET FILE NAME R28877AA-00-dwg1								
UNLESS OTHERWISE SPECIFIED, DIMENSIONAL TOLERANCES ARE: IN [mm]		MATERIAL: 4140 STEEL / RC 32-35						
.x ± .1 [2.54] .xxx ± .005 [.127] .xx ± .01 [.25] ANGLES ± 5 °		DRAWING NUMBER: TD28877A01						
THIRD ANGLE PROJECTION		DRAWING NUMBER: TD28877A01						
DRAWN BY BJPU	DATE 03/30/17	CHK JADE	SCALE 1:1					
REV	DATE	BY	CHK	APR	DESCRIPTION	ECN	SHT 1 OF 1	SIZE A