

## Part Number: D3I3090

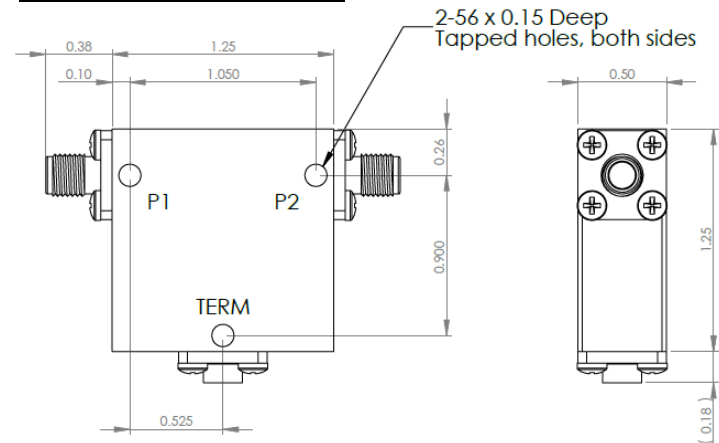
### Electrical Specifications

|                        |                 |
|------------------------|-----------------|
| Frequency Range (GHz): | 3.0 - 9.0       |
| Isolation (dB):        | 14 MIN          |
| Insertion Loss (dB):   | 1.0 MAX         |
| VSWR:                  | 1.5:1 MIN       |
| Forward Power (W):     | 20 AVG<br>20 PK |
| Reflective Power (W):  | 2 AVG           |

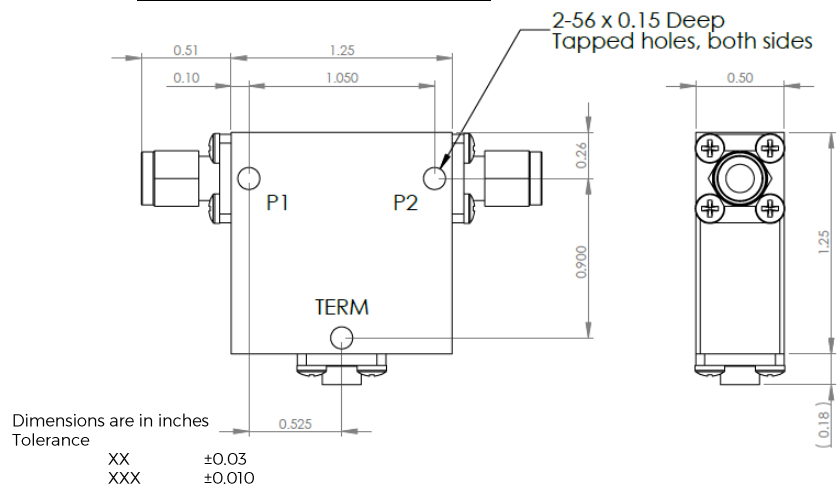
### Mechanical/Environmental Specifications

|                   |                            |
|-------------------|----------------------------|
| Connector Type:   | SMA                        |
| Connector Body:   | Passivated stainless steel |
| Connector Pin:    | Gold plated copper         |
| Load Body:        | Brass                      |
| Magnetic Shunt:   | Nickel plated CRS          |
| Operational Temp: | -20°C to +75°C             |
| Weight (oz)       | 2.0 MAX                    |

### D3I3090 Dimensions



### D3I3090-3 Dimensions



| Type of Device  | PN Suffix | Connector Configuration<br>Input / Output | PN Example |
|---|-----------|---|------------|
| Single and Dual Junction<br>Isolator, 2-Port Device<br>Input / Output | N/A       | Female / Female                           | D3I3090    |
|   | -1        | Male / Female                             | D3I3090-1  |
|   | -2        | Female / Male                             | D3I3090-2  |
|   | -3        | Male / Male                               | D3I3090-3  |



# MEASURED DATA

Part Number: D3I3090, +25°C

