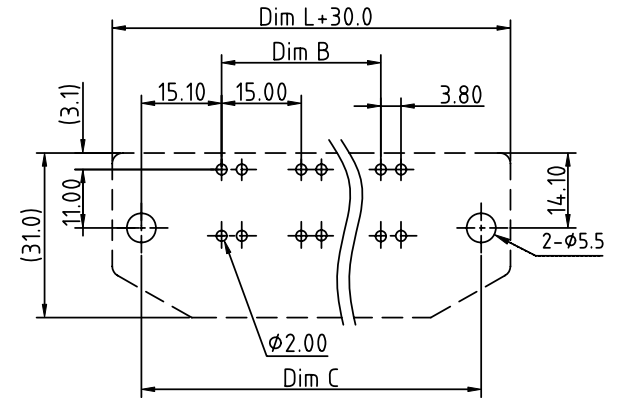
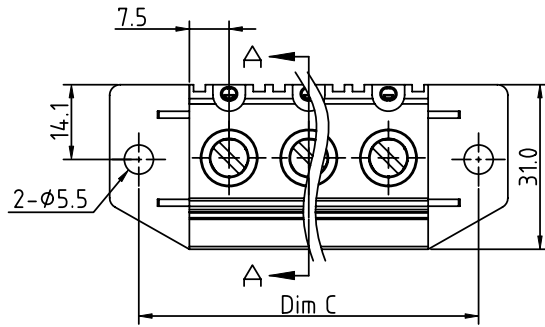
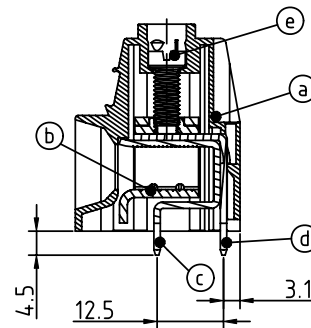
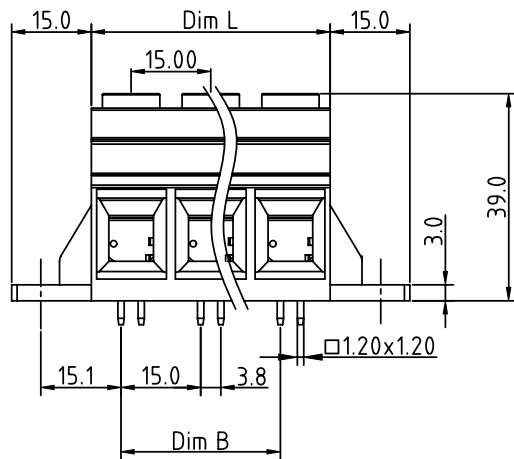


PRODUCT NUMBER	PITCH
E1xxC1x310J0G	15.00 mm



RECOMMENDED P.C.B LAYOUT
TOP VIEW



SECTION A-A

Material:

- Item① Terminal housing :Thermoplastic (UL 94V-0)
- Item② Clamp : Steel Stamping , Zinc plated
- Item③ Solder pin1 : Copper , Tin plated
- Item④ Solder pin2 : Copper , Tin plated
- Item⑤ Terminal screw: Zinc plating"-/slot type

Electrical cULus IEC

- Voltage rating: 600V 1000V
- Current rating: 125A 125A
- Wire range: 35mm²
- Solid wire(AWG): 2-20
- Stranded wire(AWG): 2-20
- Torque(Lb-In): 36.5
- Screw: M5
- Wire strip length: 12-15mm
- Withstanding Voltage: 2.2KV 8KV
- Operating temperature: -40° C to +115° C
- Soldering temperature: 260° C±5° C/5 Sec
- Safety Approval: cULus

DIMENSION

Dim L	Nx15.0
Dim B	(N-1)x15.0
Dim C	Nx15.0+19.0

N=Number of poles

Poles	Tolerance
2p~3p	±0.30
4p~5p	±0.50
6p~10p	±0.80

PART NO.: EI xx C 1 x 3 10J0 G

- | | | | | | |
|---|--------------|---------------------|---|-------|-----------------|
| ↓ | Solid block | 0 Black (RAL9005) | ↓ | Color | RoHS compliant |
| ↓ | No. of poles | 2 Red (RAL3001/D) | ↓ | | (lead<4%) |
| ↓ | 02 2 poles | 3 Orange(RAL2011/P) | ↓ | | In copper Alloy |
| ↓ | 03 3 poles | 4 Yellow(RAL1018/A) | ↓ | | |
| ↓ | ... | 5 Green(RAL6018/T) | ↓ | | |
| ↓ | 10 10 poles | 6 Blue (RAL5015/A) | ↓ | | |
| | | 8 Grey(RAL7035/D) | ↓ | | |
| | | 9 White(RAL1102) | ↓ | | |
| | | C Green(RAL6018/U) | ↓ | | |

mat'l. code		surface ASME Y14.5	tolerance ASME Y14.5	projection	product family
ltr ecn no dr date		tolerances unless otherwise specified			TERMINAL BLOCK
		angles	X.±0.5	MM	title
		fil	X.X±0.3		TERMINAL BLOCK
		X*±1*	X.XX±0.1	scale	180D WIRE INLET,SOLID BLOCK
		dr	EVIN ZHONG 041514		dwg no
		engr	EVIN ZHONG 041514		sheet 1 of 1
		chr	HANKE FENG 041514		size
		appd	SHI JUN 041514		A4
sheet index	revision sheet	A	1		type
					CUSTOMER Drawing