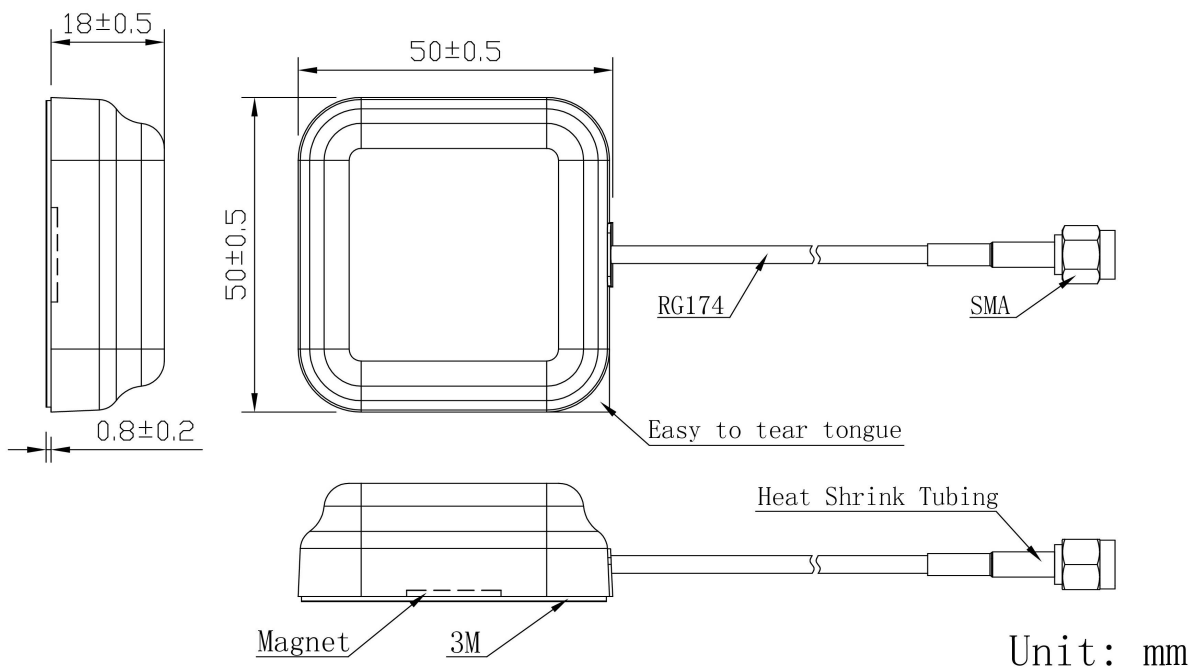


High Accuracy GNSS Active Antenna JCA236



DIMENSIONS



JIAXING JINCHANG ELECTRONIC TECHNOLOGY CO.,LTD

Add: 398#, Zhenye Road, South Street, Jiaxing, Zhejiang, China

Http:// www.jinchanggps.com

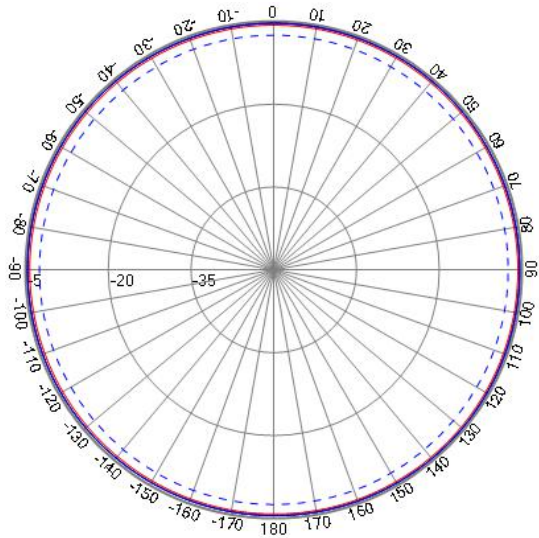
E-mail: jcgps@vip.163.com

Tel: 86-0573-83692157/83692605/83958637 Fax: 86-0573-83958635

SPECIFICATIONS

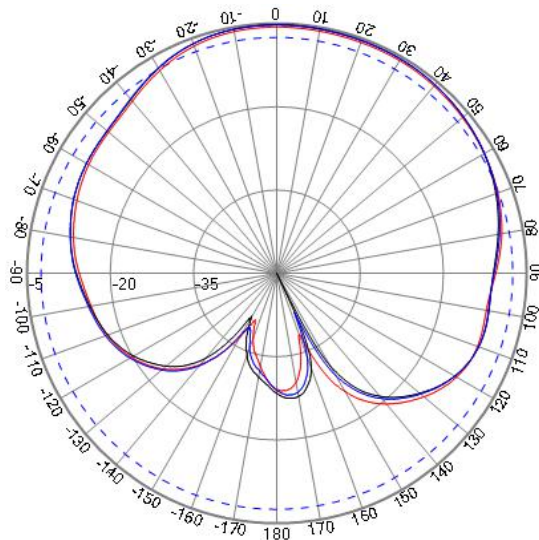
| Item | Specifications | |
|-----------------|--------------------------|--|
| Antenna(2 pins) | Frequency Range | 1561.098~1602MHz |
| | Polarization | RHCP |
| | Gain | 5dBic@PCB (Zenith) |
| | V.S.W.R | <1.5 |
| | Impedance | 50 Ω |
| | Dimension | 33.5*33.5*6mm |
| | Axial Ratio | 3dB (max) |
| LNA | Gain | 28 \pm 2dB |
| | Noise Figure | \leq 1.5dB |
| | Supply Voltage | 3~5V DC |
| | Current Consumption | <20mA |
| | V.S.W.R | <2.0 |
| Mechanical | Cable | RG174/3000mm |
| | Connector | SMA or others |
| | Radome Material | ABS |
| | Mounting Method | Adhesive |
| Environmental | Operating Temperature | -40 $^{\circ}$ C~+85 $^{\circ}$ C |
| | Relative Humidity | Up to 95% |
| | Ingress Protection | IP67 |
| | Vibration | 10 to 55Hz with 1.5mm amplitude 2hours |
| | Environmentally Friendly | ROHS Compliant |

Radiation Pattern



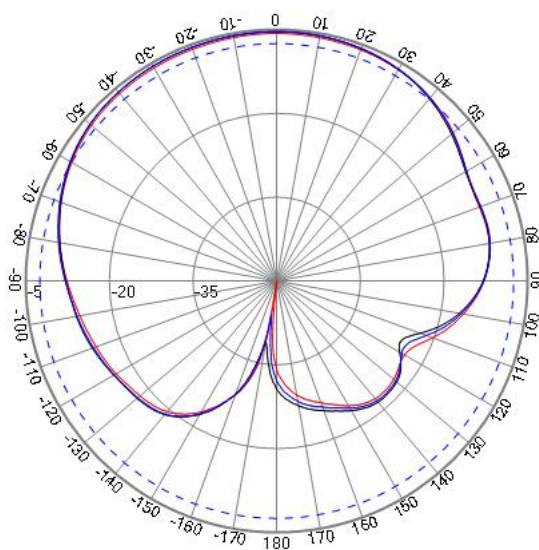
XY-PLANE

Freq: 1602
Freq: 1561
Freq: 1575



XZ-PLANE

Freq: 1602
Freq: 1561
Freq: 1575



YZ-PLANE

Freq: 1602
Freq: 1561
Freq: 1575