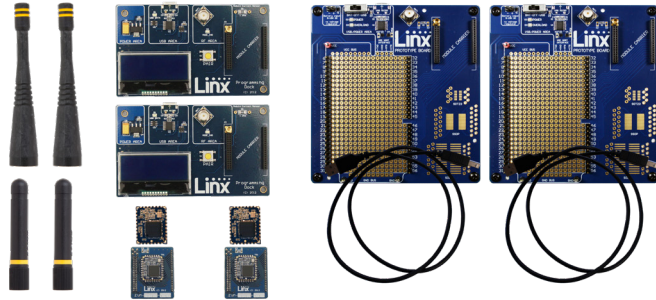


# HumPRO™ Series Master Development System

## Quick Start Reference

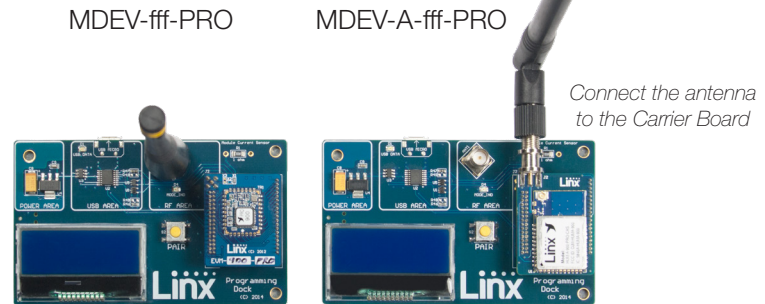


### 1 Remove Contents



Remove kit contents including development boards, antennas, batteries, modules and USB cables.

### 2 Set Up the Programming Docks



With the power off, set up boards by inserting EVMs into sockets on the Programming Docks and attaching the antennas.

### 3 Install the Software

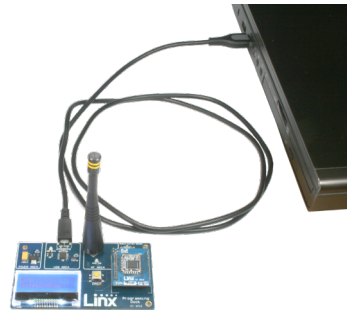
Contact Linix  
Phone: +1 800 736 6677  
Corporate: +1 541 471 6265  
contact@linxtechnologies.com  
<https://linxtechnologies.com/contact-us>

Downloads  
for the MDEV-GPS-tt  
<https://linxtechnologies.com/mdev-gps-tt>

Wireless made simple®

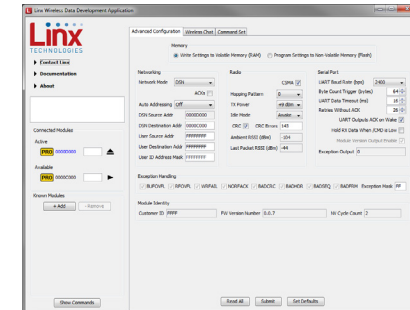
Install the Windows software using the website link provided with the kit. If already installed, skip this step.

### 4 Connect the Programming Docks

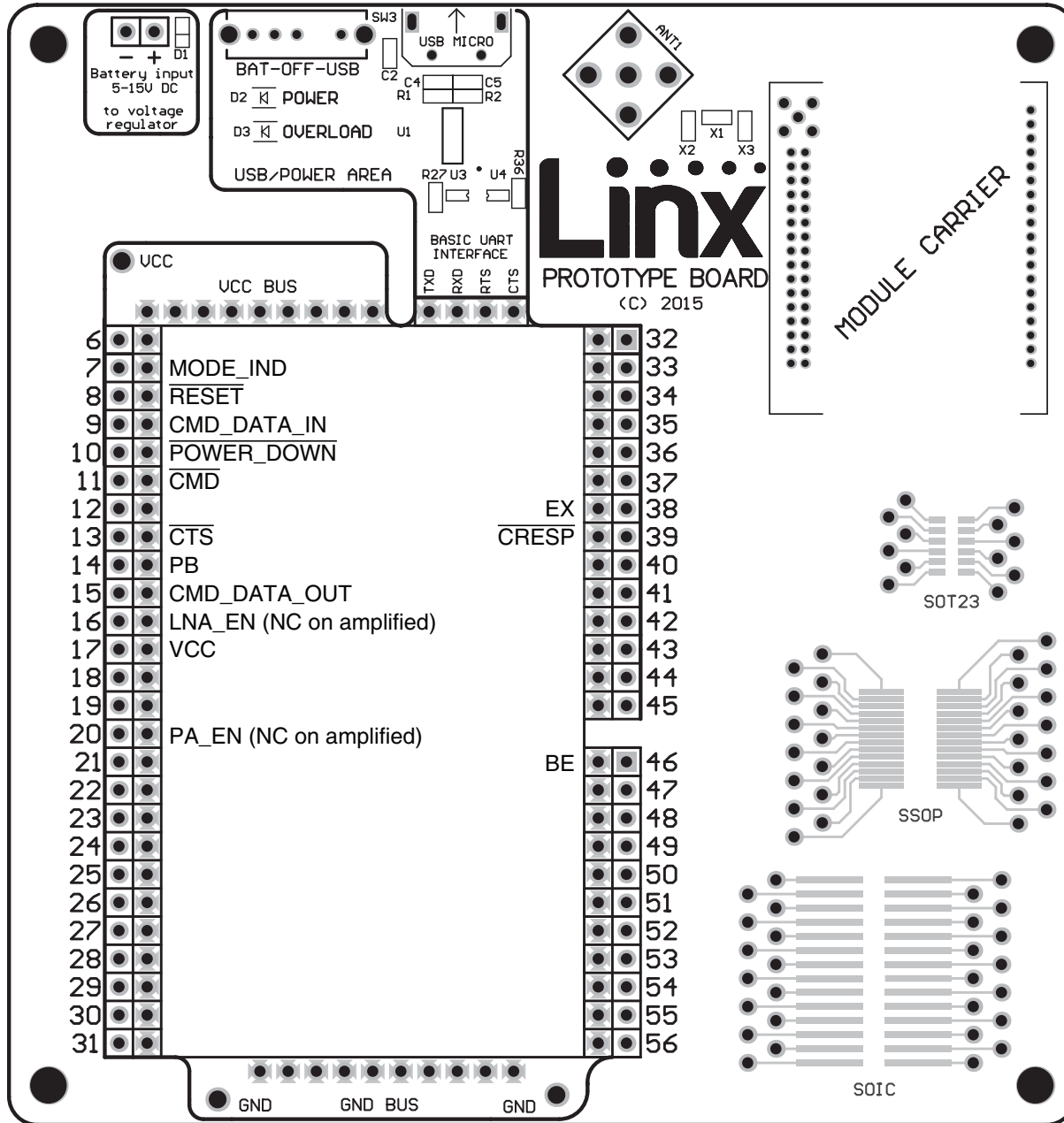


Connect the Programming Docks to a computer with the cables included with the kit. USB drivers are on the website so install them if prompted by the computer.

### 5 Start the Software



Start the software. It automatically detects connected modules and reads their configurations.



**Warning:** Installing or removing a Carrier Board while power is applied could cause permanent damage to the module. Either turn off power to the board or unplug the USB cable before installing or removing a Carrier Board

**Note:** The LNA\_EN and PA\_EN lines are not wired out on the HUM-A-900-PRO.

Linx Technologies  
159 Ort Lane  
Merlin, OR, US 97532

Phone: +1 541 471 6256  
Fax: +1 541 471 6251

www.linxtechnologies.com

