

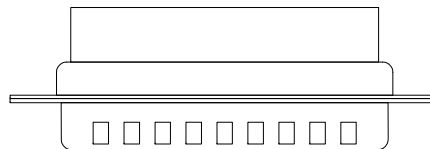
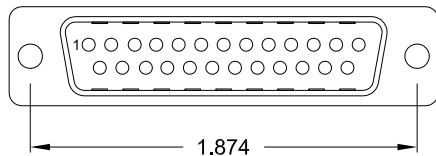
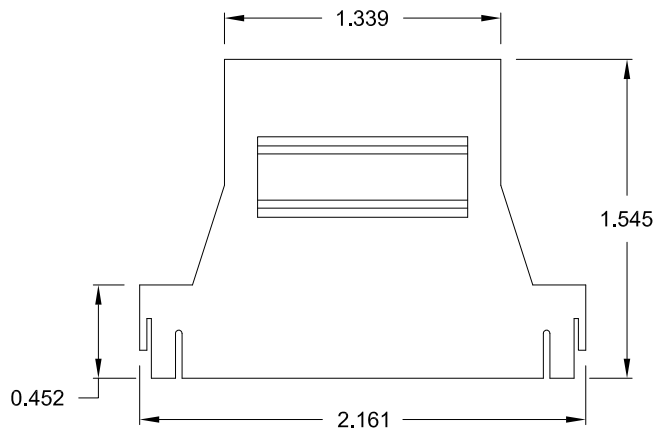
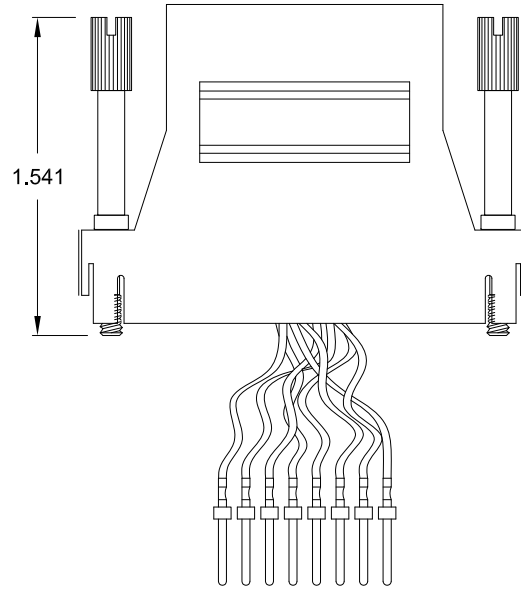
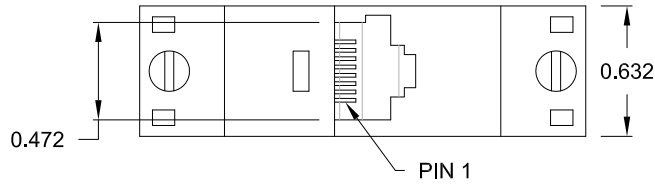
DESCRIPTION: RJ-45 TO 25-POSITION MALE D-SUB – PLASTIC & METALIZED PLASTIC

MATERIAL:

HOOD: ABS UL 94V-HB

RJADK25P70808Y1

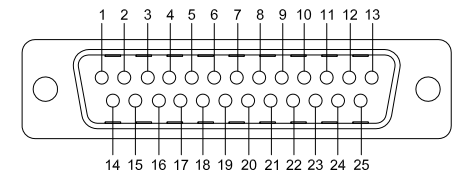
SERIES _____
 POSITIONS 25
 GENDER P = MALE
 D-SUB TERMINALS 7 = CRIMP & POKE (CONTACTS PRE-CRIMPED)
 MODULAR POSITIONS 08
 MODULAR POSITIONS LOADED 08
 COLOR 1 = BLACK
 2 = METALIZED (SHIELD RATING: 60dB)
 3 = GRAY
 D-SUB CONTACT PLATING 1 = GOLD FLASH
 3 = 10µ" DSUB CONTACT // 50µ" RJ-45 CONTACT



RJ45

1. BLUE
2. ORANGE
3. BLACK
4. RED
5. GREEN
6. YELLOW
7. BROWN
8. WHITE

DB-25M



FRONT VIEW

RoHS COMPLIANT

UNITS = inch

DO NOT SCALE FROM DRAWING



THESE DRAWINGS AND SPECIFICATIONS ARE THE PROPERTY OF NorComp AND SHALL NOT BE REPRODUCED, COPIED OR USED AS THE BASIS FOR THE MANUFACTURE OR SALE OF APPARATUS WITHOUT WRITTEN PERMISSION.

DRAWN: C. SMITH
 DATE: 05/14/2007

NorComp

SCALE: NTS	SHEET 1 OF 1	REV 2
DWG NO. RJADK25P70808Y1		