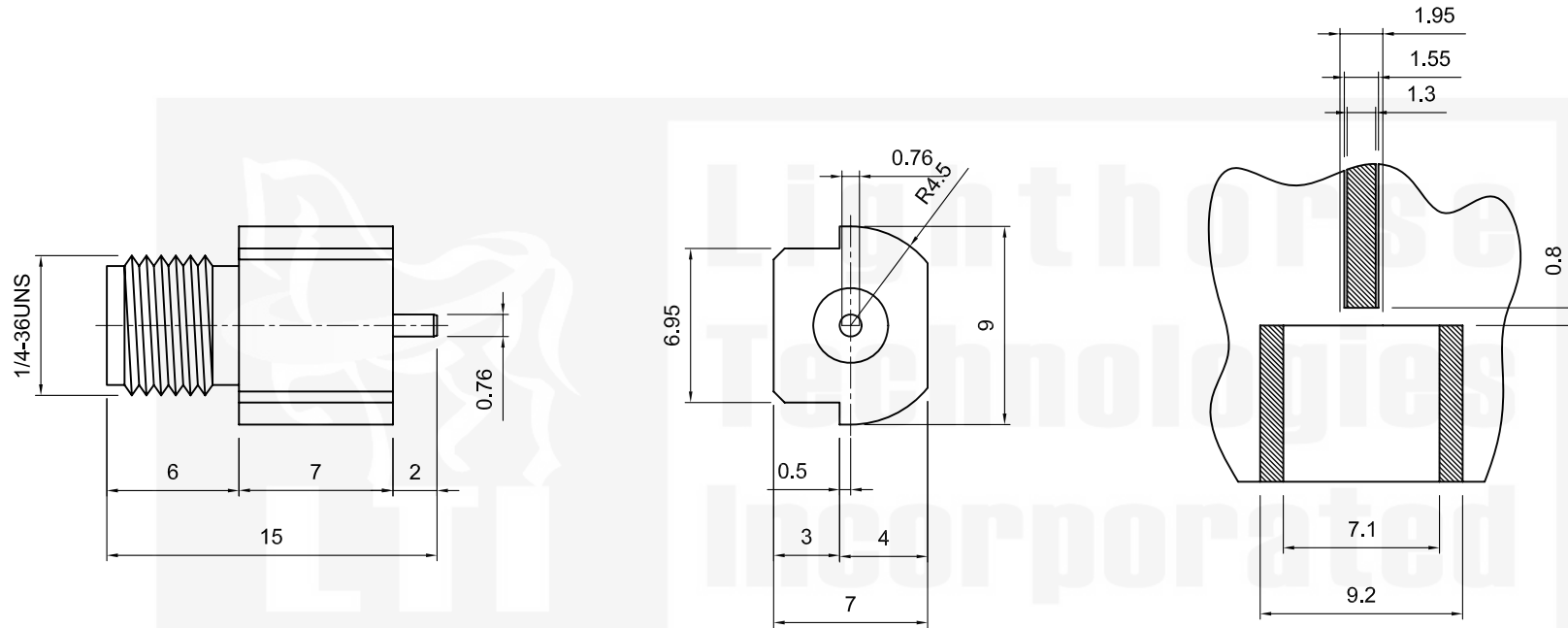


Tolerances 1-20=+/-0.2 20-30=+/-0.3 30-40=+/-0.4 40-50=+/-0.5 50-100=+/-0.75 100-300=+/-1.5 Angles=+/-1 Dimensions are In Millimeters	Revisions	Approved	Date
	Description/Approved/Date	M.H.	
		Checked	Date
		M.H.	
	Drawn	Date	
	T.J.A.	12/28/04	
NOTES (plating thickness in micro-inches): 1. Per QQ-B-626 2. Per QQ-S-764 3. Per QQ-C-530 4. Per QQ-B-750 5. Per MIL-P-19468 6. Per ZZ-R-765 7. Per WW-T-799 8. Gold pl. 5 min. over nickel pl. 50 min. over copper strike 9. Nickel pl. 100 min. over copper strike 10. Per QQ-P-35 11. Gold pl. 30 min. over nickel pl. 50 min. over copper strike			



ITEM	MATERIAL	FINISH
Connector Body	Brass, Note 1	Nickel, Note 9
Center Contact: Female	Brass, Note 1	Gold, Note 11
Insulation	Teflon, Note 5	None
Ferrule	--	--
Gasket	--	--
Hex Nut	--	--
Lock Washer	--	--

Lighthouse Technologies, Inc.
5640 Kearny Mesa Road, Suite N
San Diego, California 92111
Part Number:
LTI-SASF56NT

Description		
SMA straight edge mount jack.		
Nickel plated brass body, Teflon dielectric.		
Scale	Drawing No.	File Name
3:1		SASF56