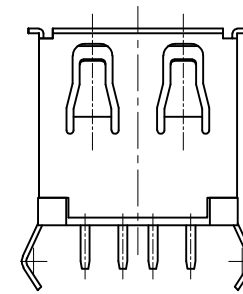
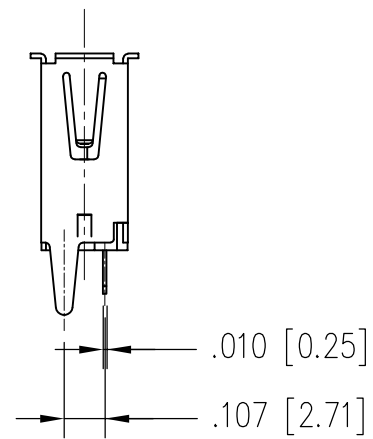
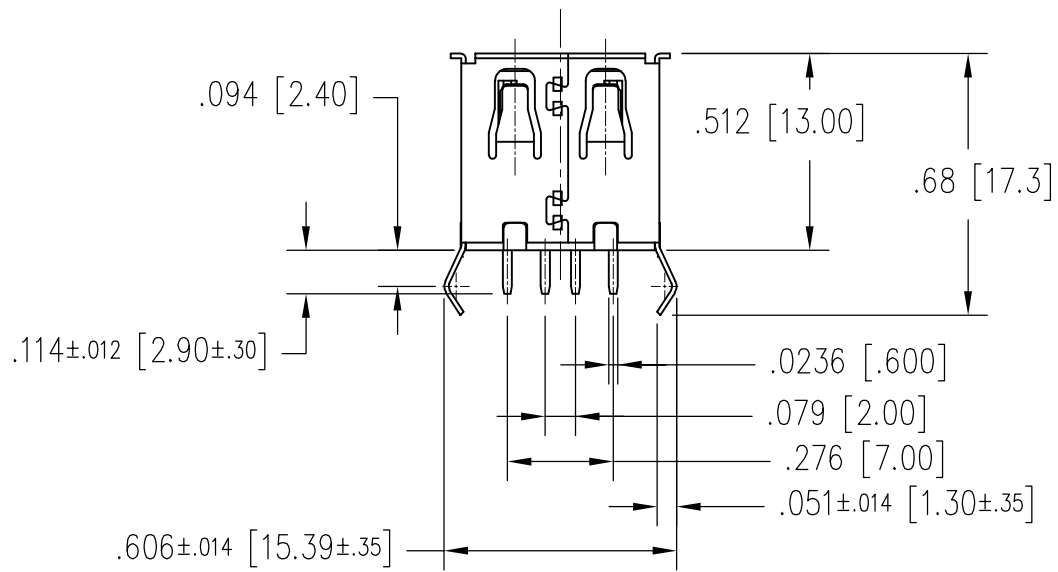
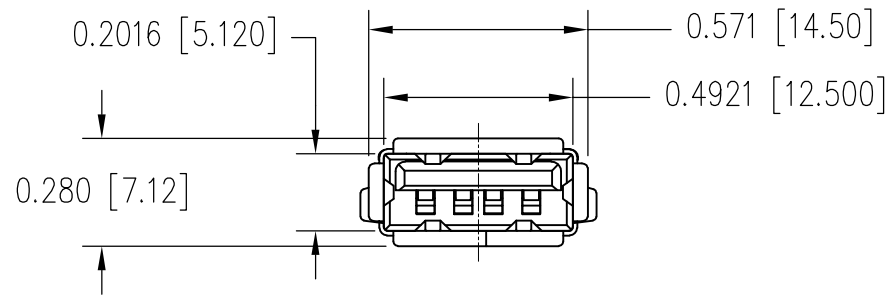
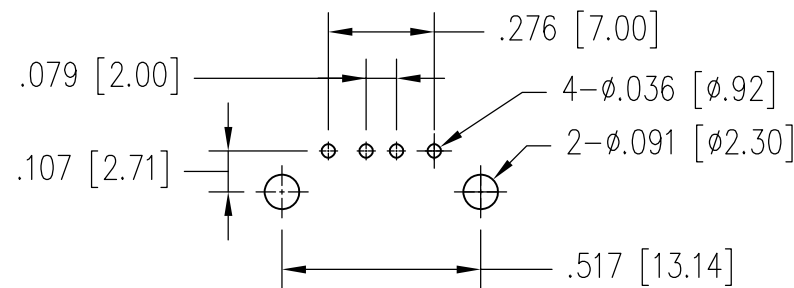


DATE	REV	ECN	APP'D. BY
8/29/2017	A0	-	DHG
10/31/2017	A1	11142	GWL



NOTE:

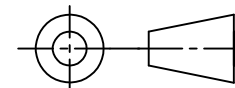
- Material
 - Hsg: High Temperature Plastic; UL94V-0; Color: Black
 - Contact: Copper Alloy,
 - Shell: Copper Alloy
- Finish:
 - Contct: Nickel Plated; Au Plating On Contact Area
See Chart for Part Number;
TIN On Solder Tail.
 - Shell: Nickel Plating.
- For Product specifications See PR44-01



RECOMMENDED P.C.B HOLE LAYOUT
TOP VIEW(TOLERANCE: ±.004 [±0.10])

30 MICRO-INCHES [0.76um]	SS-52100-002
CONTACT PLATING IN MATING AREA	PART NUMBER

THIRD ANGLE PROJECTION

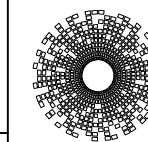


DRAWING IS SUBJECT TO
CHANGE WITHOUT NOTICE

UNLESS OTHERWISE SPECIFIED
DIMENSIONS INCHES [METRIC]
TOLERANCES ARE:
ANGLES ± 1°
.XX [.X] ±.010" [±0.25]
.XXX [.XX] ±.008" [±0.20]
.XXXX [.XXX] ±.004" [±0.10]
DO NOT SCALE DRAWING

SHEET NO. 1 OF 1

RoHS



stewart
CONNECTOR
a bel group

1118 Susquehanna Trail South
Glen Rock, PA 17327-9199
(717) 235-7512

<http://www.stewartconnector.com>

TITLE: USB 2.0 Vertical Receptacle Type A

THIS DRAWING AND THE SUBJECT MATTER SHOWN THEREON
ARE CONFIDENTIAL AND THE PROPRIETARY PROPERTY OF
STEWART CONNECTOR AND SHALL NOT BE REPRODUCED,
COPIED, OR USED IN ANY MANNER WITHOUT PRIOR WRITTEN
CONSENT OF STEWART CONNECTOR. ONE OR MORE U.S. PATENTS
MAY APPLY TO THIS PRODUCT. FOR DETAILS, PLEASE
VISIT: [HTTP://BELFUSE.COM/STEWART/STEWART_PATENTS/](http://BELFUSE.COM/STEWART/STEWART_PATENTS/)

DRN BY:	GWL	DATE	8/28/2017
APPD BY:	DHG	DATE	8/29/2017
DWG NO.	CT520005	REV.	A1