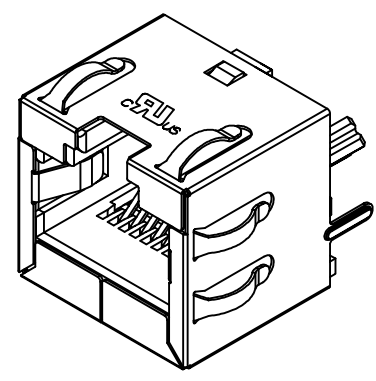
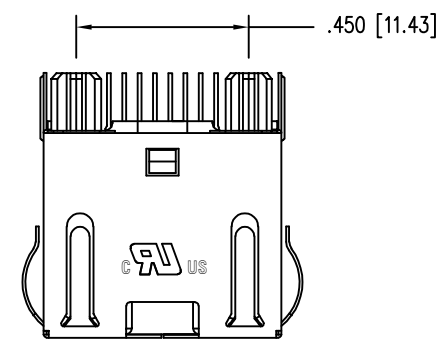
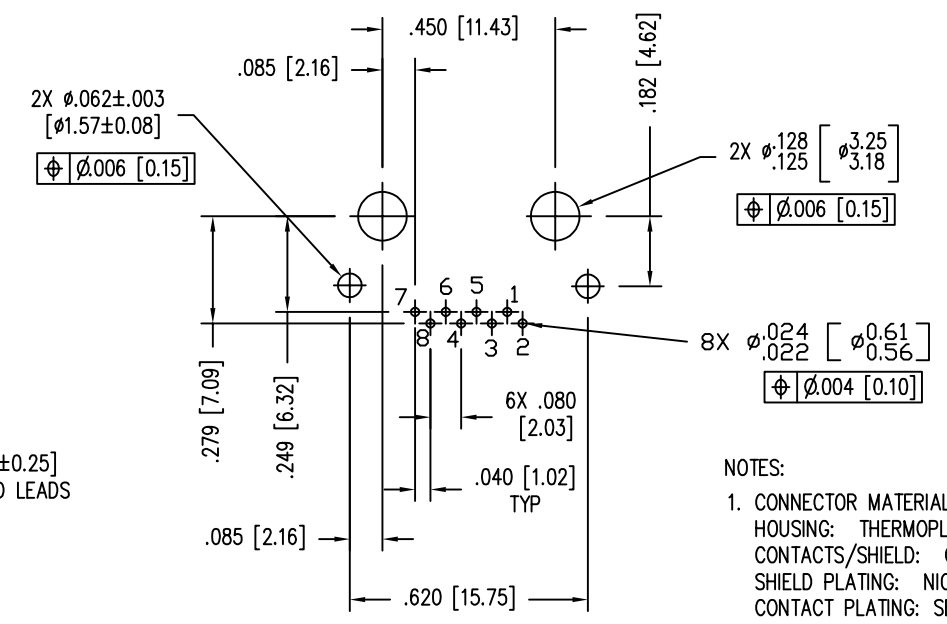


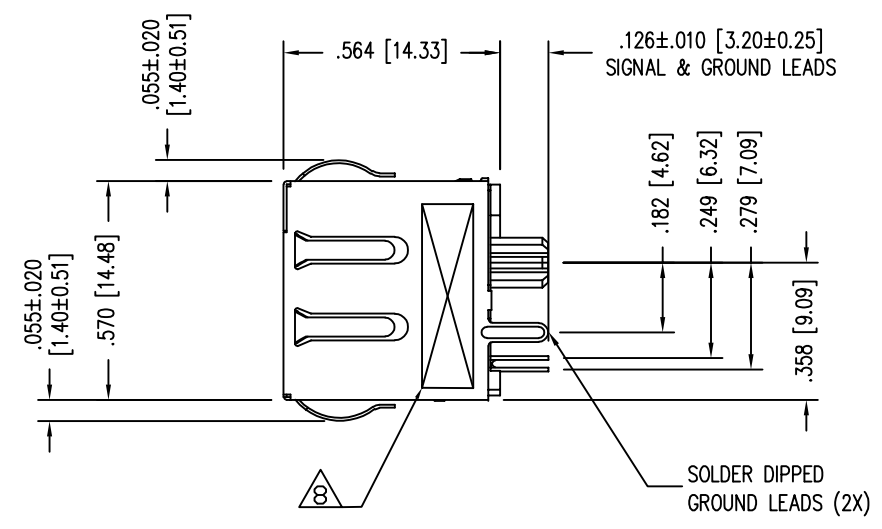
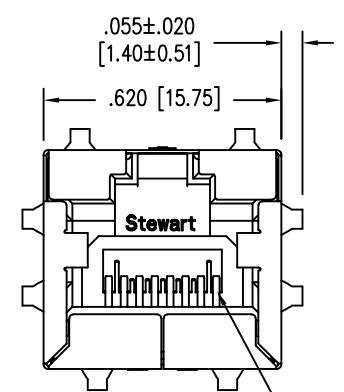
DATE	REV	ECN	APP'D. BY
3-17-17	A7	10941	TRM
4-19-17	A8	10981	TRM



ISOMETRIC VIEW



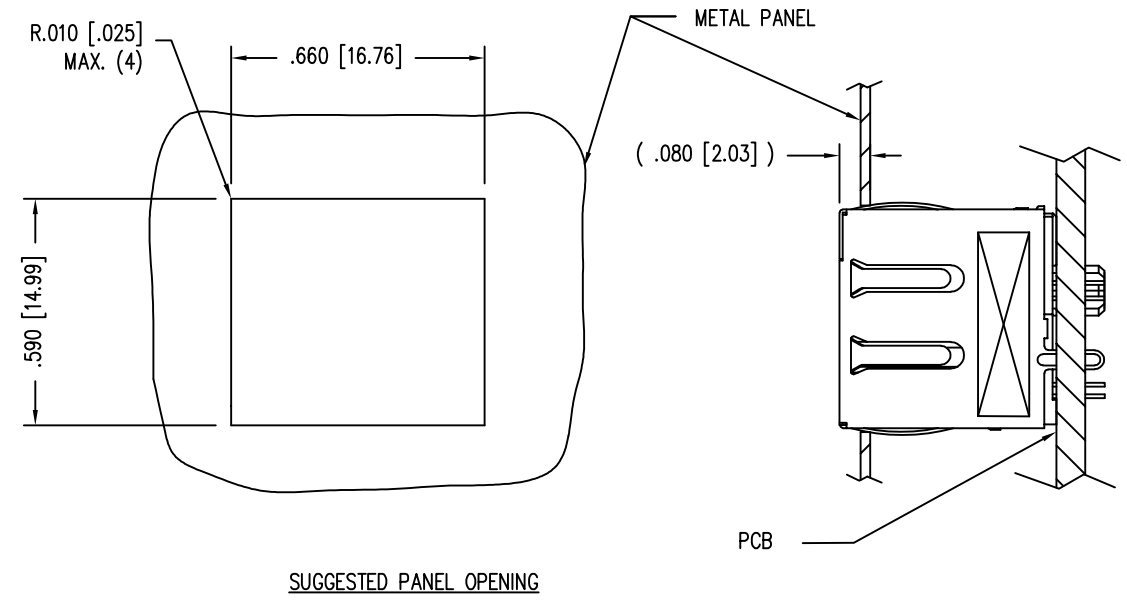
- NOTES:
- CONNECTOR MATERIALS:
HOUSING: THERMOPLASTIC UL94 V-0
CONTACTS/SHIELD: COPPER ALLOY
SHIELD PLATING: NICKEL OR TIN
CONTACT PLATING: SELECTIVE GOLD IN CONTACT AREA
SEE CHART FOR PART NUMBER
 - DESIGNED FOR CATEGORY 6A APPLICATIONS.
 - DIMENSIONS AND TOLERANCES COMPLY WITH FCC/CFR 47, PART 68.
 - THE SUGGESTED PANEL OPENING IS INTENDED TO GIVE USER THE ABILITY TO HAVE REASONABLE JACK/PANEL CLEARANCES, YET MAINTAIN GROUNDING CAPABILITY. THESE VARIABLES CAN BE ADJUSTED IN EITHER DIRECTION BUT MAY CARRY SOME CONSEQUENCES IN THE FORM OF LOWER MATING FORCES OR TIGHTER ASSEMBLY TOLERANCES.
 - THE ASSEMBLY SHALL WITHSTAND 1414 VDC BETWEEN CONTACTS FOR 60 SECONDS, MIN.
 - HIGH TEMPERATURE PLASTIC; WAVE SOLDER COMPATIBLE TO 260°C
 - FOR PRODUCT SPECIFICATION SEE PRO33-01
 - LOGO, PART NUMBER AND DATE CODE LOCATED APPROX. IN THIS AREA.
 - FOR PROPER JACK FUNCTION AND PERFORMANCE, TIA-1096 COMPLIANT PLUGS MUST BE USED.



POSITIONS	1 TO 3	3 TO 5	3 TO 7	2 TO 6	4 TO 6	6 TO 8
CAPACITANCE +/- 80 FEMTOFARADS	500	1050	350	350	1050	500

CAPACITANCE CHARACTERISTICS OF ASSEMBLED CONNECTOR

50 MICRO-INCHES [1.27um]	SS-60300-014
CONTACT PLATING IN MATING AREA	PART NUMBER



PATENTED



THIRD ANGLE PROJECTION

DO NOT SCALE DRAWING
DRAWING IS SUBJECT TO CHANGE WITHOUT NOTICE

DIMENSIONS: INCHES [METRIC]

UNLESS OTHERWISE SPECIFIED
TOLERANCES ARE ±.005 [0.13]
ANGLES ARE ± 1°

SHEET NO. 1 OF 1

1118 Susquehanna Trail South
Glen Rock, PA 17327-9199
(717) 235-7512
<http://www.stewartconnector.com>

TITLE: CATEGORY 6A, VERTICAL SHIELDED JACK WITH PANEL GROUNDS

THIS DRAWING AND THE SUBJECT MATTER SHOWN THEREON ARE CONFIDENTIAL AND THE PROPRIETARY PROPERTY OF STEWART CONNECTOR AND SHALL NOT BE REPRODUCED, COPIED, OR USED IN ANY MANNER WITHOUT WRITTEN CONSENT OF STEWART CONNECTOR. ONE OR MORE U.S. PATENTS MAY APPLY TO THIS PRODUCT. FOR DETAILS, PLEASE VISIT: [HTTP://BELFUSE.COM/STEWART/STEWART_PATENTS/](http://BELFUSE.COM/STEWART/STEWART_PATENTS/)

DRN BY: DHG	DATE: 03-27-07
APPD BY: TRM	DATE: 04-02-07
DWG NO. CT600053	REV. A8