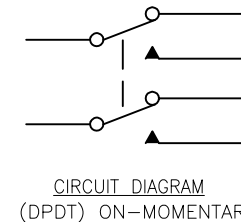
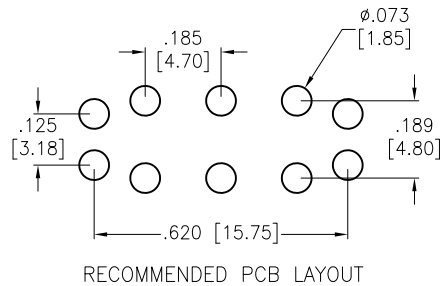
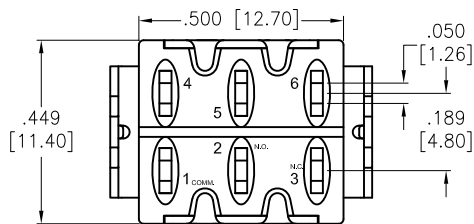
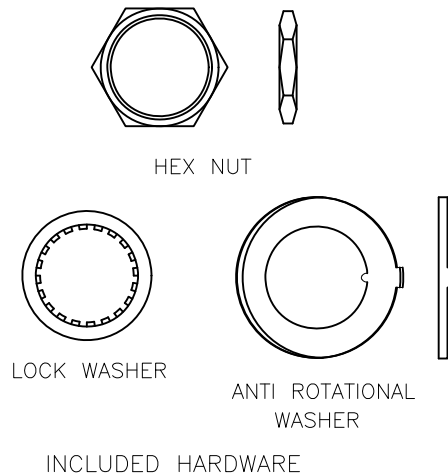
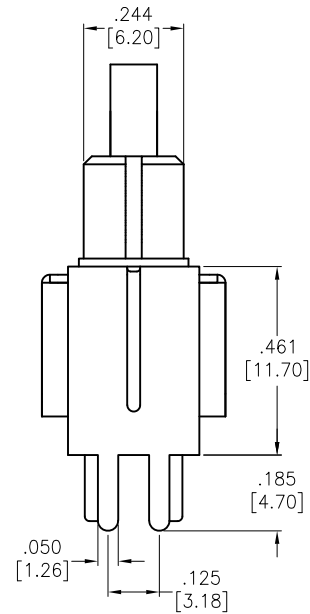
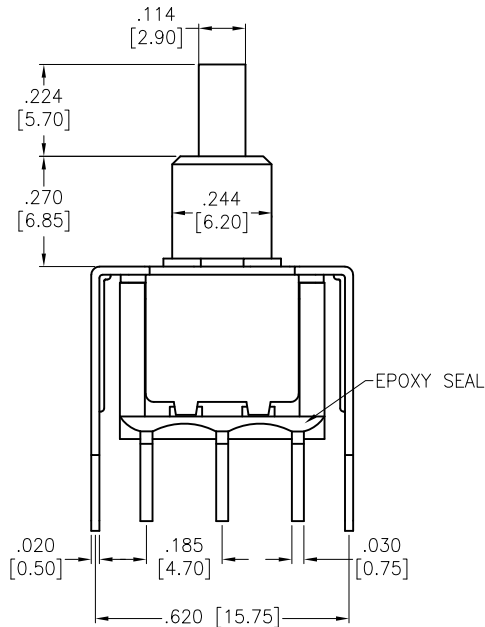


APPROVED: \_\_\_\_\_  
 DATE: \_\_\_\_\_ TITLE: \_\_\_\_\_

Rev	AWO #	Description	Date	Appr
-		RELEASED	2/17/21	



SPECIFICATIONS:

Material:  
 Movable Contact: Copper Alloy, Silver Plated  
 Terminal: Copper Alloy, Silver Plated  
 Electrical:  
 Voltage rating: 120VAC or 38VDC  
 Current rating: 1 Amps  
 Contact resistance: 10 mΩ max  
 Insulation resistance: 1,000 Mohms min  
 Dielectric withstanding voltage: 1,500V RMS @Sea level  
 Temperature Rating:  
 Operating temperature: -30°C to +85°C  
 Environmental:  
 Lead free, RoHS compliant



UNLESS OTHERWISE SPECIFIED ALL DIMENSIONS ARE INCHES [MM] TOLERANCES: EXCEPT AS NOTED		 909 Rahway Avenue, Union, NJ 07083 Phone: 908-687-5000 Fax: 908-687-5710	
INCHES HOLES			
.X ± .10	∅.X ± .10	TITLE	
.XX ± .020	∅.XX ± .015	SNAP-ACTING PUSH BUTTON SWITCH, VERTICAL, PCB TYPE	
.XXX ± .015	∅.XXX ± .010	11.70 HEIGHT, DPDT, ON-MOMENTARY, SILVER PLATED	
APPROVALS		DATE	SIZE
DRAWN	LH	2/17/21	X
CHECKED	AC	2/17/21	PART NO.
APPROVED			SW-PB8-BB00B10QE-1
REF: S00198T		SCALE: NTS	REV. -
		SHEET 1 OF 1	