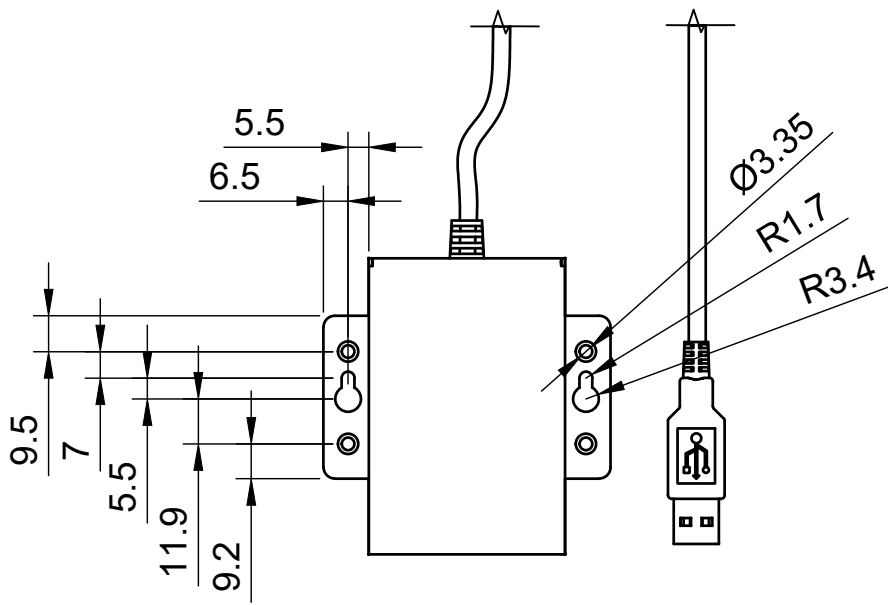
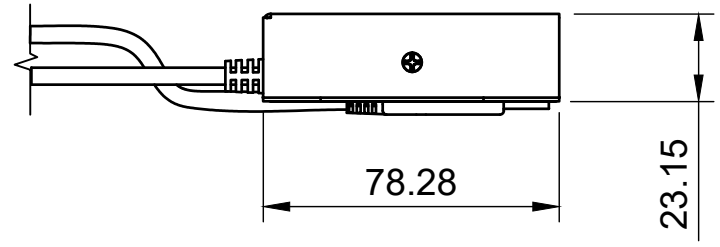
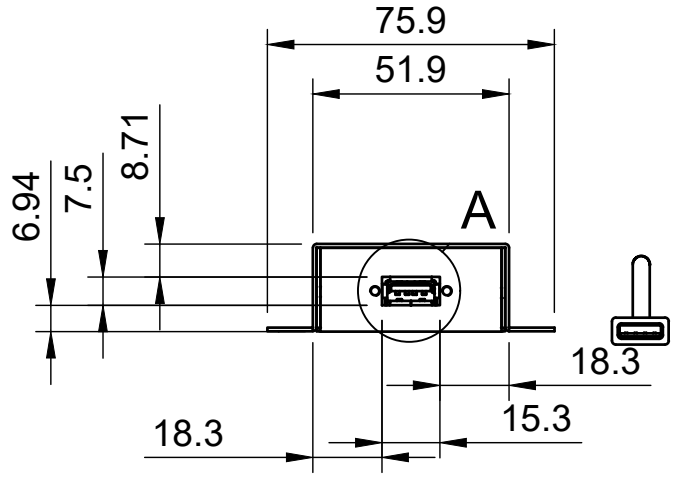
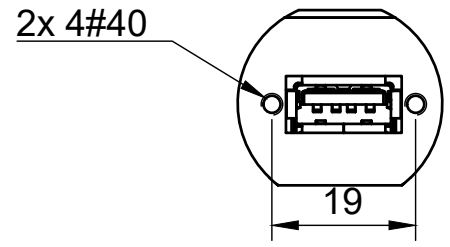



Basic Measurements  
 Port Detailed  
 Mounting Holes



A (1:1)



		Model #:	
		USB-ISO-M	
Drawn by: Leo Pinto		Scale: 1:2	Units: mm
Drawn Date: 5/14/2021		Tolerance: +/- 0.15mm	
Notes:		Contact: support@coolgear.com	
		Web: coolgear.com	
		A4	1/1