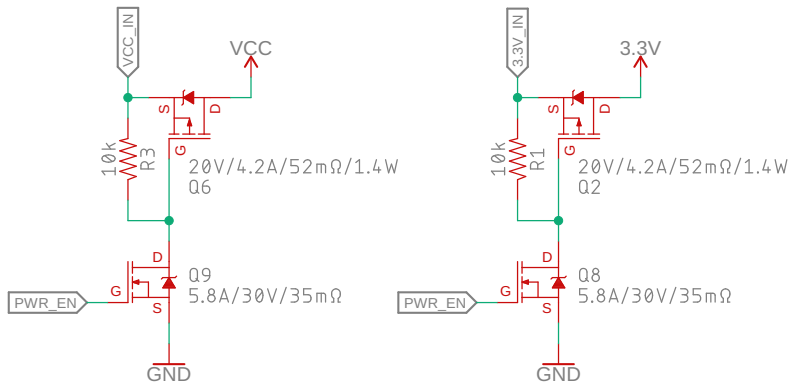
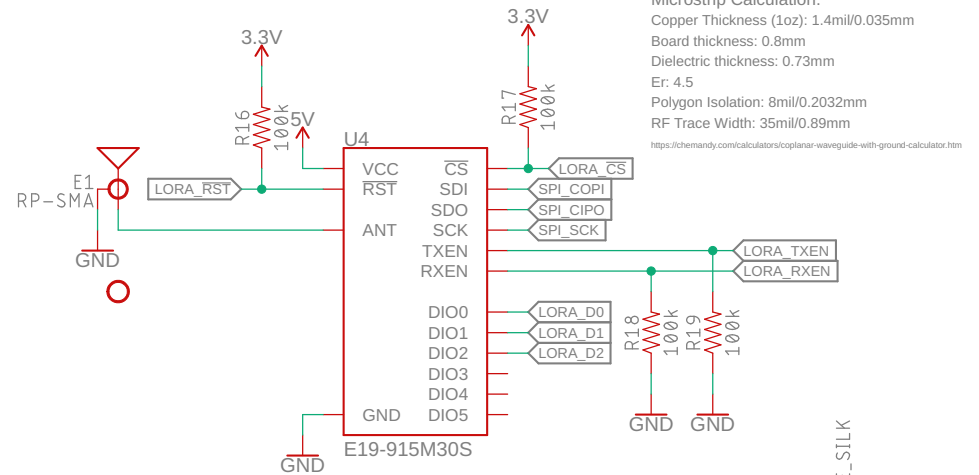


## Power Enable

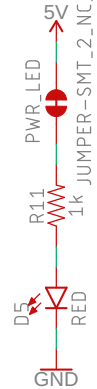
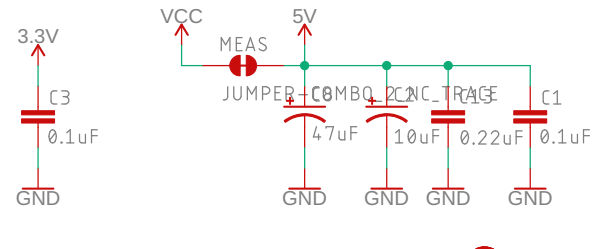


## LoRa Radio 30dBm

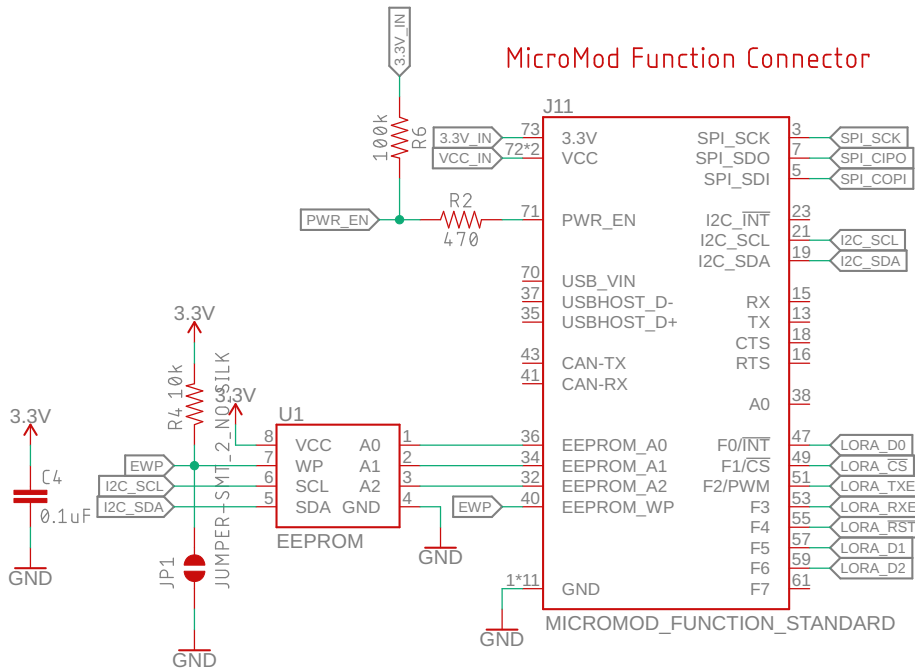


## Power Decoupling

VCC: 3.3-5.5V  
 >= 5V Ensures Max Output Power



## MicroMod Function Connector



Released under the Creative Commons

Attribution Share-Alike 4.0 License

<https://creativecommons.org/licenses/by-sa/4.0/>

Special Instructions

TITLE: MicroMod-LoRa-1W-Function-Board

Design by: N. Seidle

REV:  
v10

Date: 11/11/2021 12:25 PM

Sheet: 1/1