

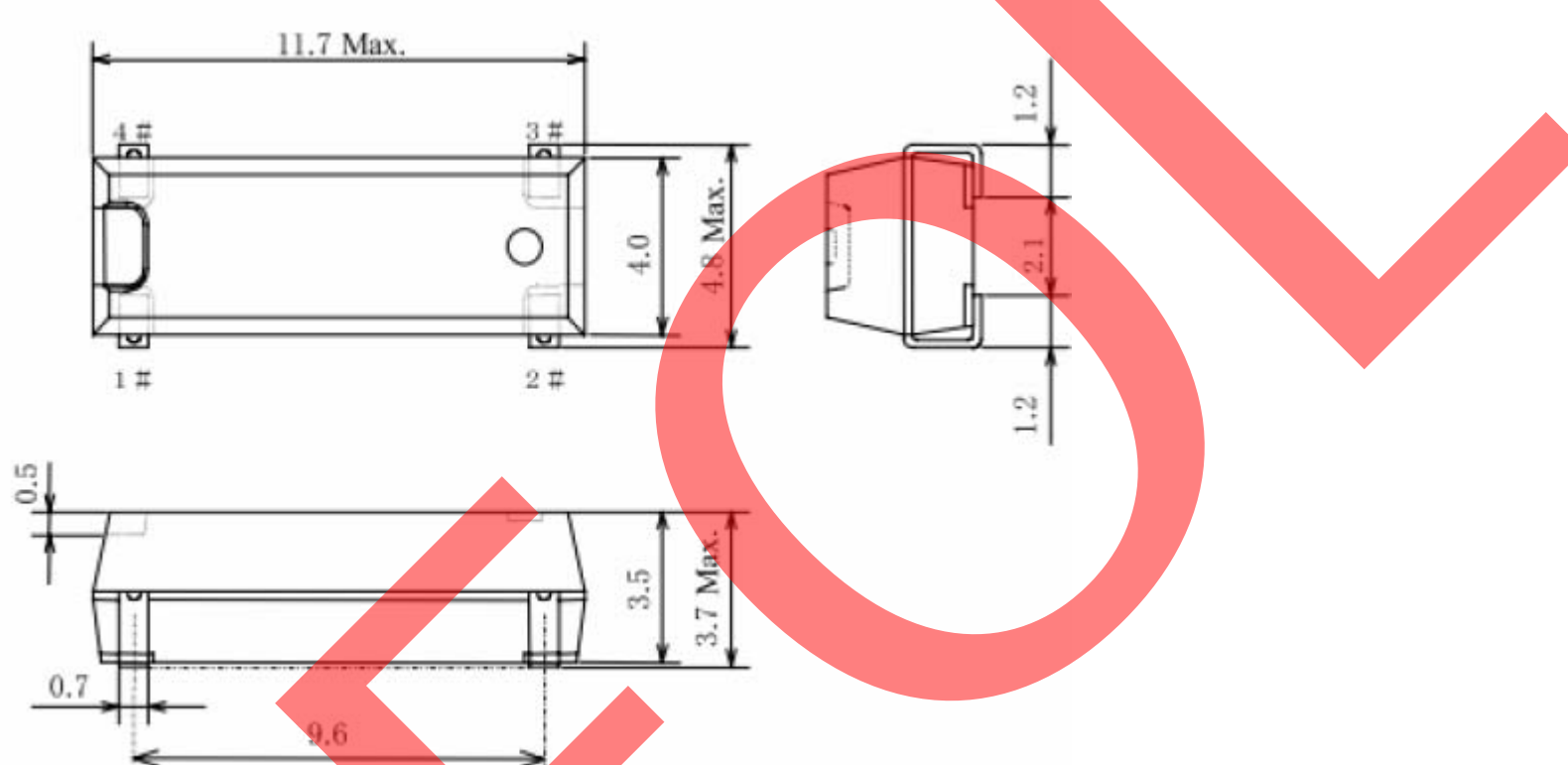
ECN/PCN No.: 3911

For Manufacturer			
<b>Product Description:</b> Crystal Resonator	<b>Abracon Part Number / Part Series:</b> X24M000000S244	<input type="checkbox"/> Documentation only <input type="checkbox"/> ECN <input checked="" type="checkbox"/> EOL	<input type="checkbox"/> Series <input checked="" type="checkbox"/> Part Number
<b>Affected Revision:</b> B	<b>New Revision:</b> EOL	<b>Application:</b>	<input type="checkbox"/> Safety <input checked="" type="checkbox"/> Non-Safety
<b>Prior to Change:</b>  X24M000000S244 Rev. B (Page 2)			
<b>After Change:</b> EOL			
<b>Cause/Reason for Change:</b> Discontinuation of this older product package type and associated manufacturing capability.			
Change Plan			
<b>Effective Date:</b> 8/2/2021	<b>Additional Remarks:</b>		
<b>Change Declaration:</b>			
<b>Issued Date:</b> 8/2/2021	<b>Issued By:</b> Stephanie López	<b>Issued Department:</b> Engineering	
<b>Approval:</b> Thomas Culhane Engineering Director	<b>Approval:</b> Reuben Quintanilla Quality Director	<b>Approval:</b> Ying Huang Purchasing Director	
For Abracon EOL only			
<b>Last Time Buy (if applicable):</b> None	<b>Alternate Part Number / Part Series:</b> X24M000000S248		
<b>Additional Approval:</b>	<b>Additional Approval:</b>	<b>Additional Approval:</b>	
Customer Approval (If Applicable)			
<b>Qualification Status:</b>  <input type="checkbox"/> Approved <input type="checkbox"/> Not accepted <i>Note: It is considered approved if there is no feedback from the customer 1 month after ECN/PCN is released.</i>			
<b>Customer Part Number:</b>		<b>Customer Project:</b>	
<b>Company Name:</b>	<b>Company Representative:</b>	<b>Representative Signature:</b>	
<b>Customer Remarks:</b>			



# Specification Control Drawing Crystal Resonator

Frequency  
24MHz



Holder Style	M309E
Mode	Fundamental
Adjustment Tolerance	± 50PPM at 25°C
Temperature Stability	± 100 PPM
Operating Temp. Range	-40°C to +85°C

Load Capacitance 30 pF  
ESR 50 Ohms Max Ohm  
Static Capacitance (C0) Unspecified pF  
Ageing +/-5ppm 1st Year Max  
Marking Mark Std  
Frequency 24.000000

Amdt. Date	Change Note	AEL Code
01/06/2015	M309E	X24M000000S244
	Package changed to M309E	Issue Ref B