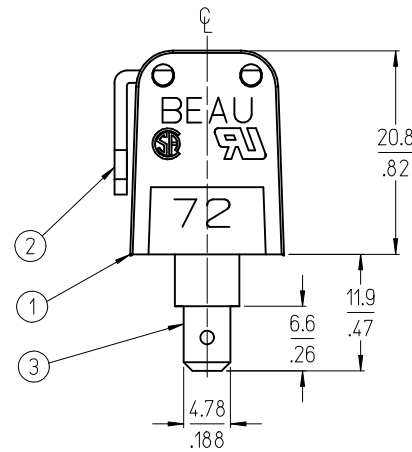
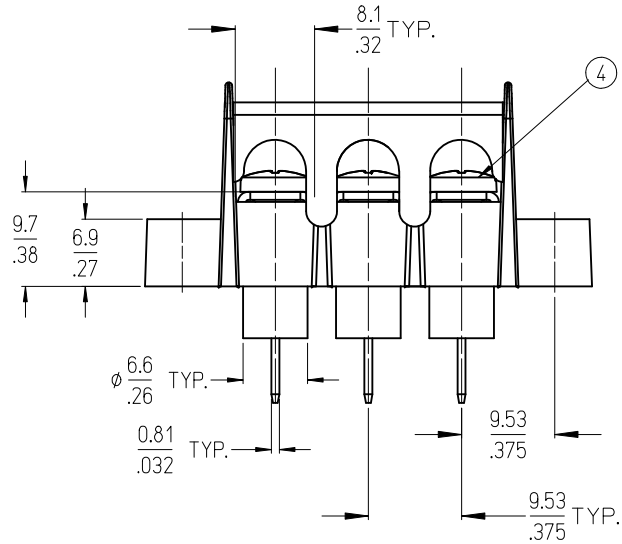


REF. VIEW SHOWN WITH COVER ROTATED UP



NOTES:

- 1. MATERIAL: SEE TABLE
- 2. FINISHES: SEE TABLE
- 3. ROHS COMPLIANT

4	3	SCREW, #6-32X.250 BHD, PH/SL (STD.)	STEEL	ZN, CLEAR CHROMATE
3	3	TERMINAL FT, #6-32	BRASS	TIN PLATE
2	1	COVER, HINGE	POLYESTER (PBT)	BLACK
1	1	INSULATOR, SR BTS 3 MONTG H	POLYESTER (PBT)	BLACK
ITEM	QTY.	DESCRIPTION	MATERIAL NO.	ENGINEERING NO.

INITIAL RELEASE EC NO: WNA2011-0003 DRWN: JENCINAS 2010/07/21 CHKD: 2010/08/16 APPR: JMACNEIL 2010/08/18	DESCRIPTION REV A	QUALITY SYMBOLS	GENERAL TOLERANCES (UNLESS SPECIFIED)	DIMENSION STYLE	SCALE	DESIGN UNITS	THIRD ANGLE PROJECTION
		▽=0 ▽=0	mm INCH 4 PLACES ± --- ± --- 3 PLACES ± --- ± .005 2 PLACES ± 0.13 ± .010 1 PLACE ± 0.3 ± --- ANGULAR ± 2 °	MM/IN DRAWN BY DATE JENCINAS 2010/07/21 CHECKED BY DATE CLYORK 2010/07/21 APPROVED BY DATE JMACNEIL 2010/08/16	2:1 INCH	THIRD ANGLE PROJECTION	
		DRAFT WHERE APPLICABLE MUST REMAIN WITHIN DIMENSIONS	MATERIAL NO. 387291550	TITLE 9.53MM [.375] SR BTS ASY W/COVER, INSUL. FT (72903-H)	DOCUMENT NO. SD-38729-059	SHEET NO. 1 OF 1	
		SIZE B	THIS DRAWING CONTAINS INFORMATION THAT IS PROPRIETARY TO MOLEX INCORPORATED AND SHOULD NOT BE USED WITHOUT WRITTEN PERMISSION				