

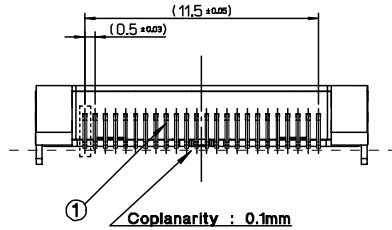
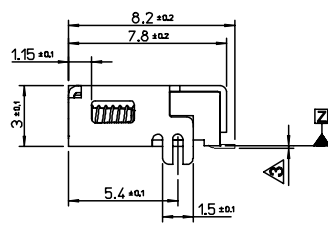
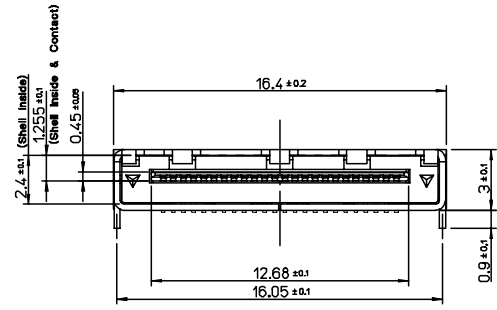
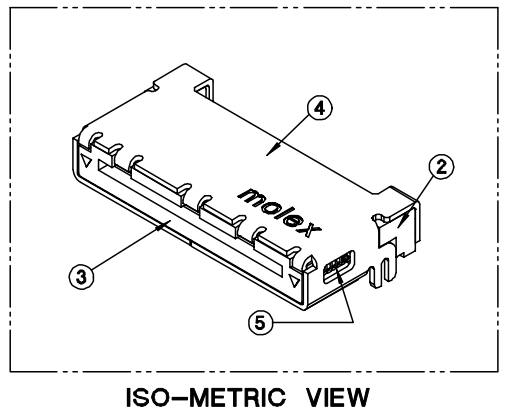
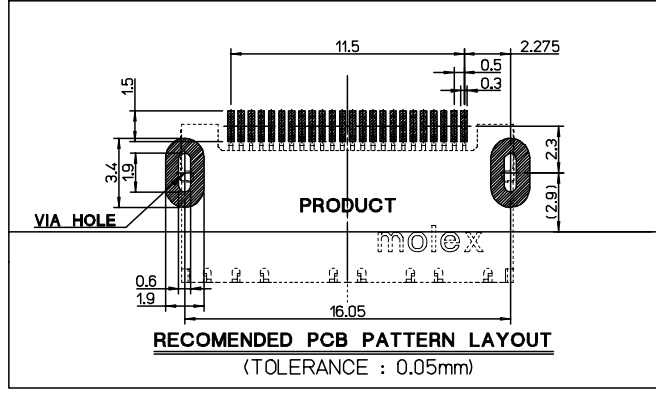
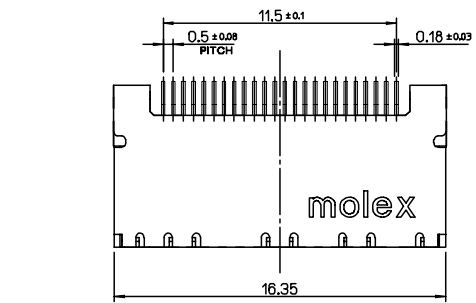
DWG. NO. SD-49045-001

SIMILAR ITEM

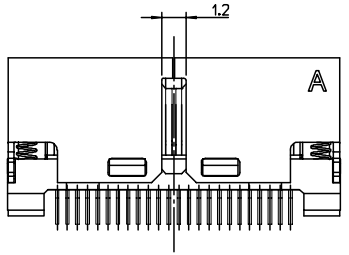
PROJECT NO.

B

DO NOT SCALE DRAWING DIMENSION IN METRIC



Coplanarity : 0.1mm



NOTES

1. MATERIALS: SEE TABLE 2
2. FINISHES: SEE TABLE 2
3. ALIGNMENT OF SOLDER TAILS FROM Z: UPPER DIRECTION 0.05 MAX. LOWER DIRECTION 0.1 MAX.
4. COPLANARITY OF SOLDER TAILS : 0.1mm MAX.
5. PRODUCT SPECIFICATION : PS-49045-001
6. PACKAGING SPECIFICATION : PK-49045-001

TABLE 1

SILVER	490450016	49045-0016
BLACK	490450011	49045-0011
COLOR	MATERIAL NO.	ENGINEERING NO.

TABLE 2

⑤	SPRING	STAINLESS STEEL	NONE
④	METAL SHELL	STAINLESS STEEL	NICKEL
③	SHUTTER	POLY AMIDE UL94V-0	BLACK / NATURAL
②	HOUSING	POLY AMIDE UL94V-0	BLACK COLOR
①	CONTACT TERMINAL	COPPER ALLOY	SELECTIVE GOLD
NO.	DESCRIPTION	MATERIAL	FINISH

REVISED	ECN NO. KOR2007-0007 DRWN: E.S.JUNG 06/07/24 CHK: S.H.JOO APPR: S.J.SEH	DESCRIPTION	QUALITY SYMBOLS MAJOR CRITICAL	GENERAL TOLERANCES: (UNLESS SPECIFIED)		SCALE	DESIGN UNITS	DIMENSIONS:		SHT	REV
				4 PLACES ±0	3 PLACES ±0.1	2 PLACES ±0.2	1 PLACE ±0.2	4 : 1	<input checked="" type="checkbox"/> mm <input type="checkbox"/> INCH	<input type="checkbox"/> mm <input type="checkbox"/> INCH	<input type="checkbox"/> mm <input type="checkbox"/> INCH
C	REV	DESCRIPTION	QUALITY SYMBOLS	DRAFT WHERE APPLICABLE MUST REMAIN WITHIN DIMENSIONS		THIS DRAWING CONTAINS INFORMATION THAT IS PROPRIETARY TO MOLEX INCORPORATED AND SHOULD NOT BE USED WITHOUT WRITTEN PERMISSION.		TITLE: 0.5 SHUTTER I/O CONN. 24P RECEPTACLE (WITHOUT BATTERY)		SHEET NO. 1 OF 2	
				CAD FILENAME SD49045001.MI		MATERIAL NO. SEE TABLE 1		DRAWING NO. SD-49045-001		MOLEX MOLEX INCORPORATED	

DO NOT SCALE DRAWING DIMENSION IN METRIC

DWG. NO. SD-49045-001

SIMILAR ITEM

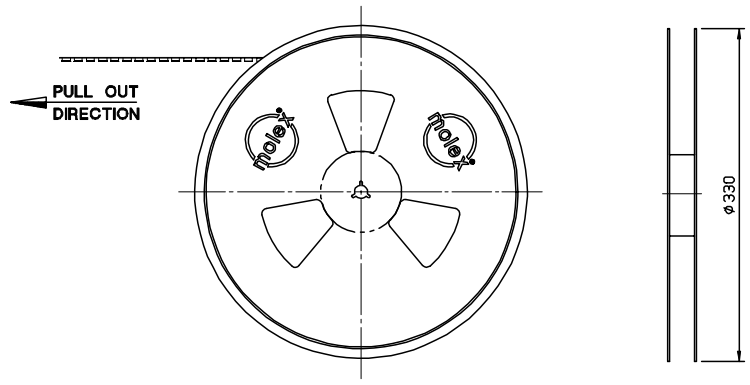
PROJECT NO.

B

REV

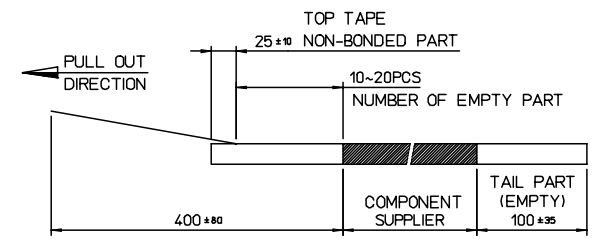
8 7 6 5 4 3 2 1

F
E
D
C
B
A

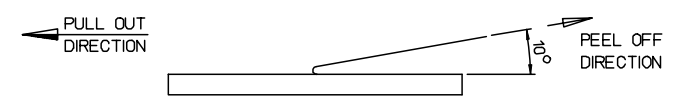


NOTES

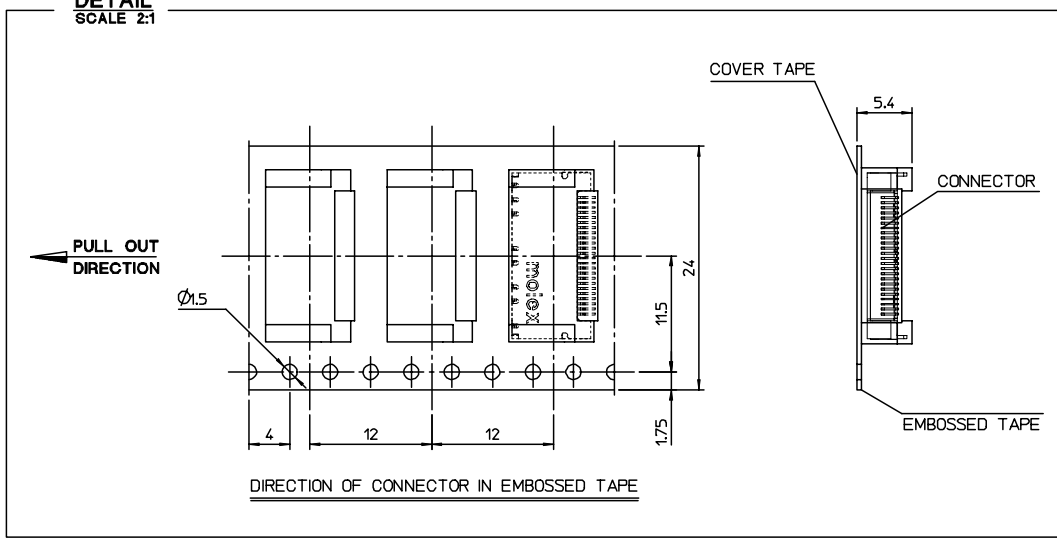
- 1. QUANTITY OF CONNECTORS : 1,000PCS/REEL
- 2. LEAD LENGTH



- 3. PEELING OFF FORCE OF COVER TAPE : 0.1N ±0.59N(10.2±60GF)
(PEELING DIRECTION AS SHOW IN FOLLOW FIG.)
- PEELING OFF SPEED : 300mm/Min.(Ref.)



DETAIL SCALE 2:1



RELEASE ECN NO. KOR2008-0074 DRWN: ES.JUNG 05/12/21 CHK: SH.JOO APPR: SJ.SEH	QUALITY SYMBOLS MAJOR = CRITICAL =	GENERAL TOLERANCES: (UNLESS SPECIFIED)		SCALE 4 : 1	DESIGN UNITS <input checked="" type="checkbox"/> mm <input type="checkbox"/> INCH	DIMENSIONS: <input type="checkbox"/> mm <input type="checkbox"/> INCH <input checked="" type="checkbox"/> mm ONLY	SHT REV	
		4 PLACES ±0.1 ±- 3 PLACES ±0.1 ±- 2 PLACES ±0.1 ±- 1 PLACE ±0.2 ±-	ANGULAR: ± 3 °	DRAWN BY & DATE ES.JUNG 05/12/21	CHECKED BY & DATE SH.JOO	APPROVED BY & DATE SJ.SEH	TITLE: 0.5 SHUTTER I/O CONN. 24P RECEPTACLE (WITHOUT BATTERY)	MATERIAL NO. SEE TABLE 1
A1	DRAFT WHERE APPLICABLE MUST REMAIN WITHIN DIMENSIONS	THIS DRAWING CONTAINS INFORMATION THAT IS PROPRIETARY TO MOLEX INCORPORATED AND SHOULD NOT BE USED WITHOUT WRITTEN PERMISSION.				MOLEX INCORPORATED	KOREA	SIZE B

8 7 6 5 4 3 2 1 KOREA MX-A3