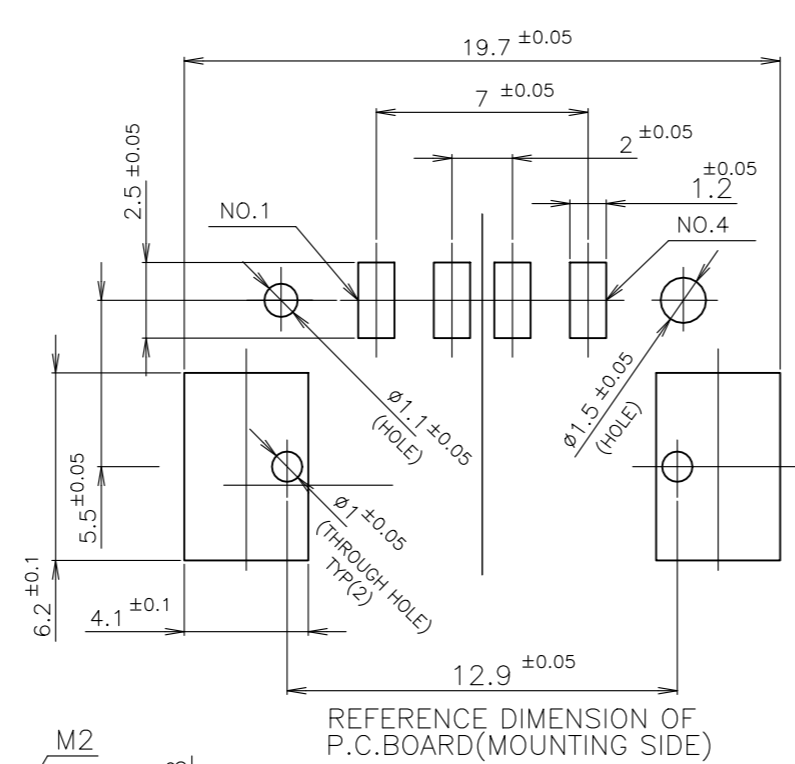
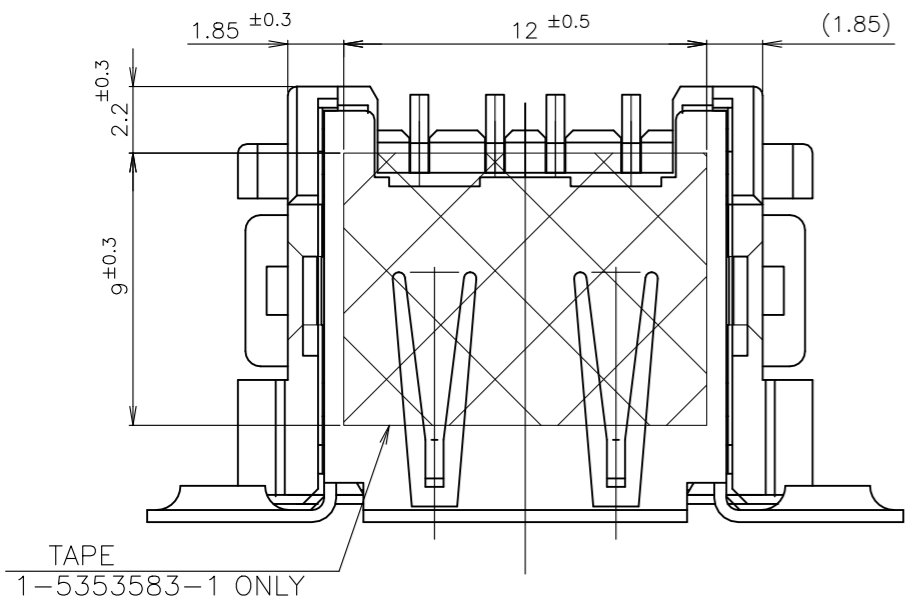
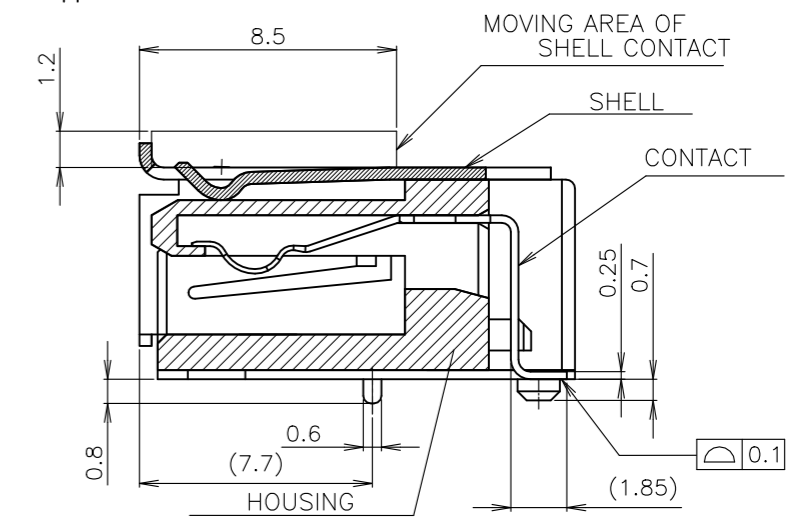
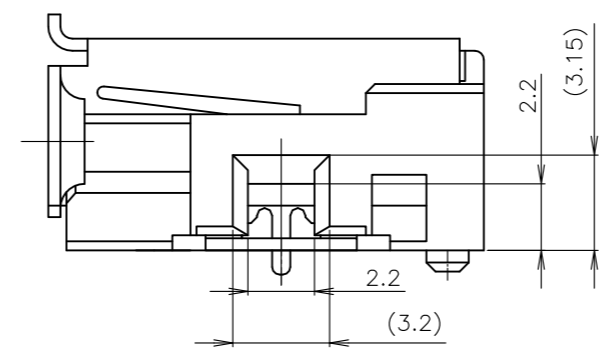
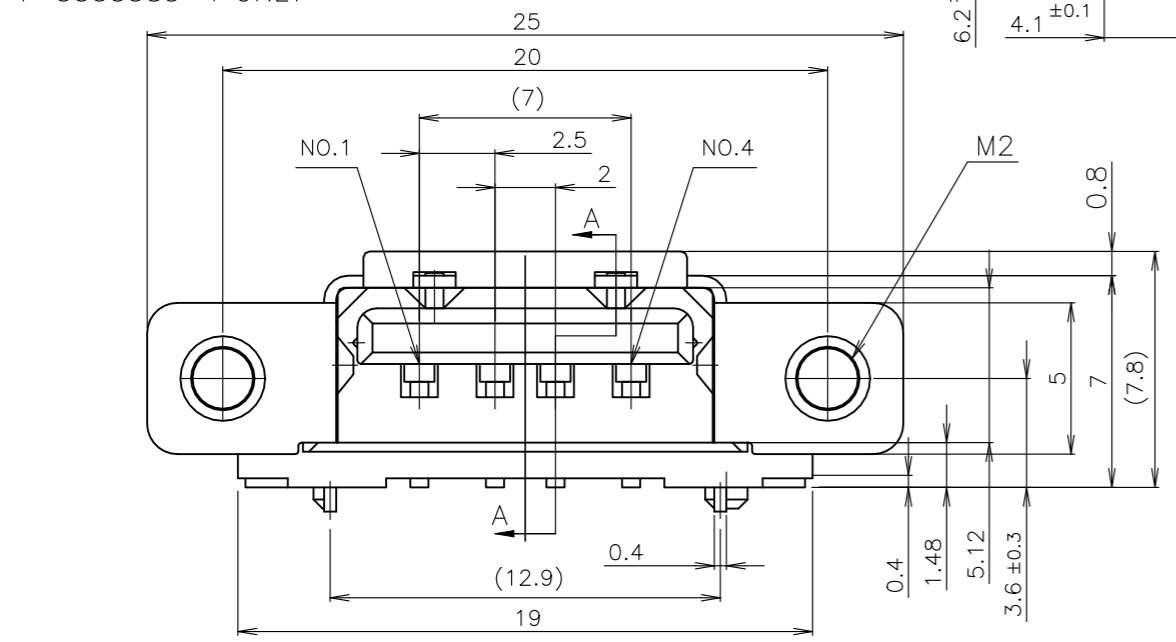


REVISIONS

P	LTR	DESCRIPTION	DATE	DWN	APVD
B		REVISED PER ECN-21-118813	23SEP2021	AK	SZ

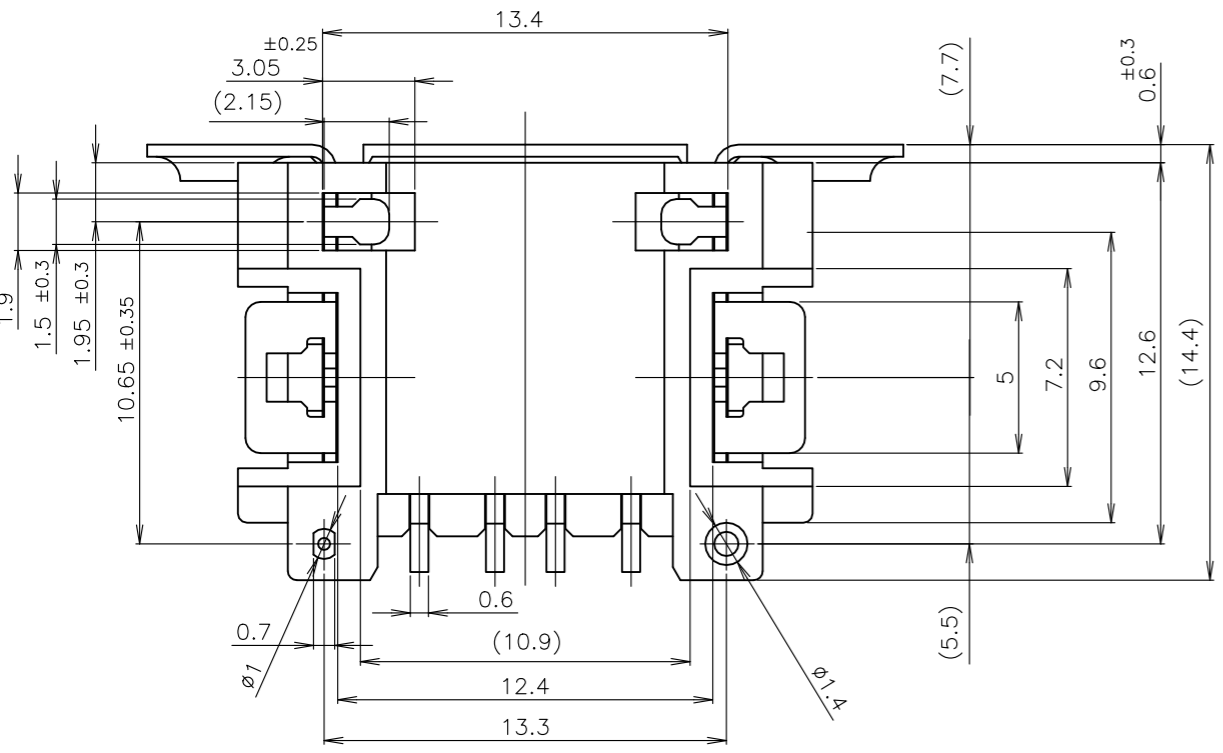


- NOTES
- MATERIAL & FINISH
CONTACT: COPPER ALLOY
Au PL. ON Pd-Ni PL. AT CONTACT AREA OVER Ni PL.
MATTE TIN PL. AT TINE AREA OVER Ni PL.
HOUSING: THERMO-PLASTICS, UL94V-0
SHELL: COPPER ALLOY, TIN PL.
 - GENERAL TOLERANCE
10 ≥ ±0.2
30 ≥ >10 ±0.25
100 ≥ >30 ±0.3
ANGLES ±5°
 - MATERIAL/PARTS WHICH ARE CONTAINED THE PROHIBITION SUBSTANCE FOR ENVIRONMENTAL RELATED SUBSTANCE CONTROL STANDARD EN-022 (ENVIRONMENT RELATED SUBSTANCE) MUST NOT USE IN PRODUCT AND MANUFACTURING PROCESS
 - CADMIUM CONTENT: 5ppm UNDER



SECTION A-A

5353583-1,2



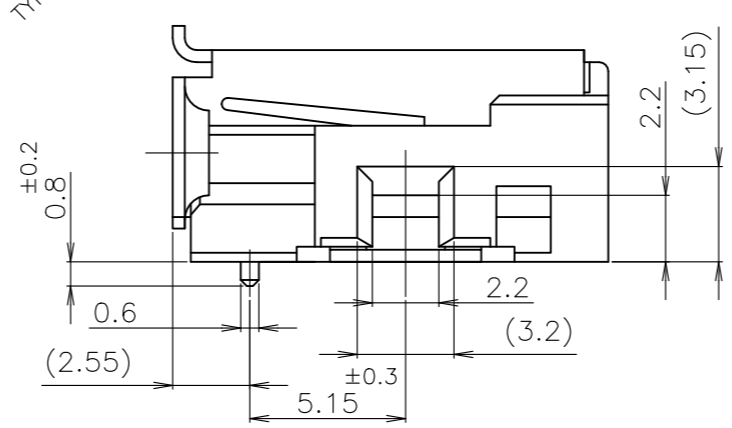
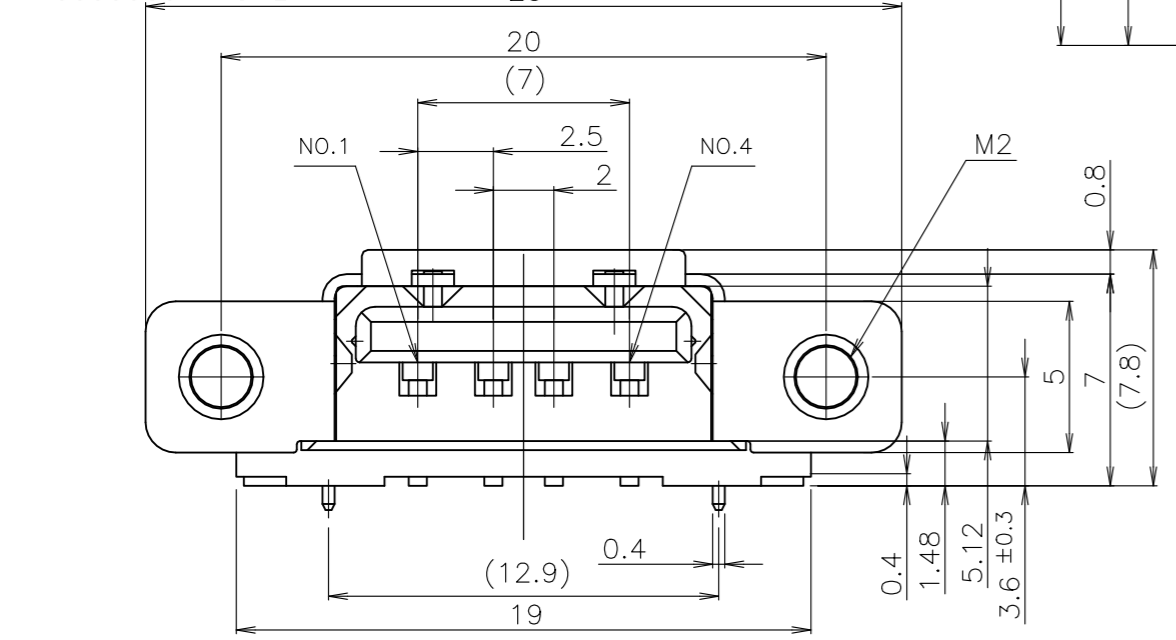
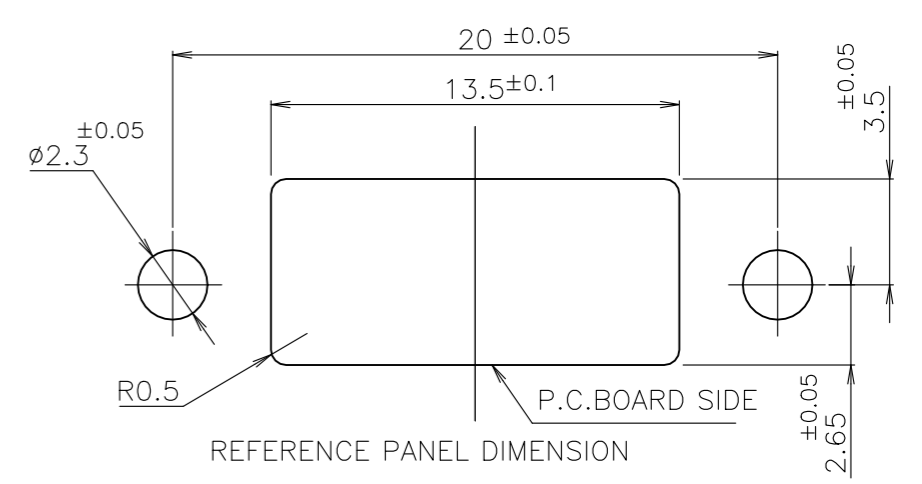
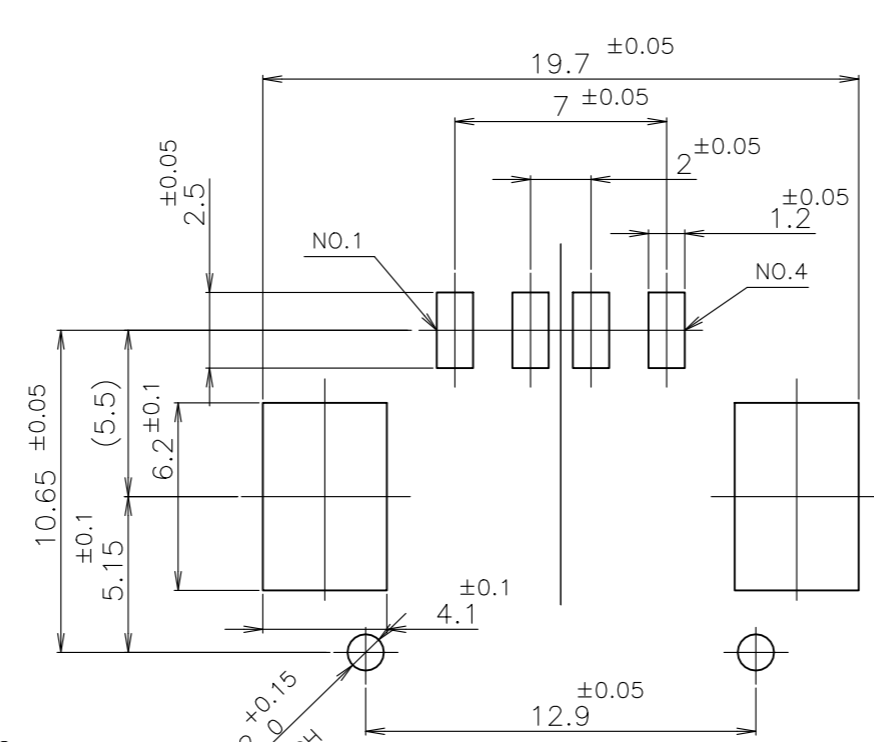
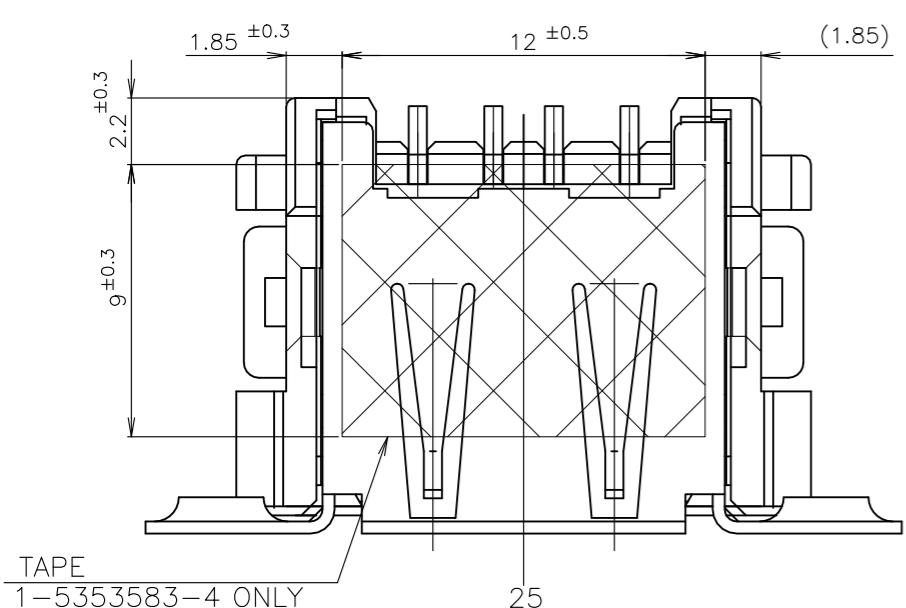
OBSELETE	WITH TAPE	BLACK	1-5353583-4
OBSELETE	WITH OUT TAPE	BLACK	5353583-4
	PRELIMINARY NOT FOR PRODUCTION	WHITE	5353583-3
	PRELIMINARY NOT FOR PRODUCTION	BLACK	5353583-2
	WITH TAPE	WHITE	1-5353583-1
OBSELETE	WITH OUT TAPE	WHITE	5353583-1
	REMARKS	HOUSING COLOR	PART NO.

THIS DRAWING IS A CONTROLLED DOCUMENT.

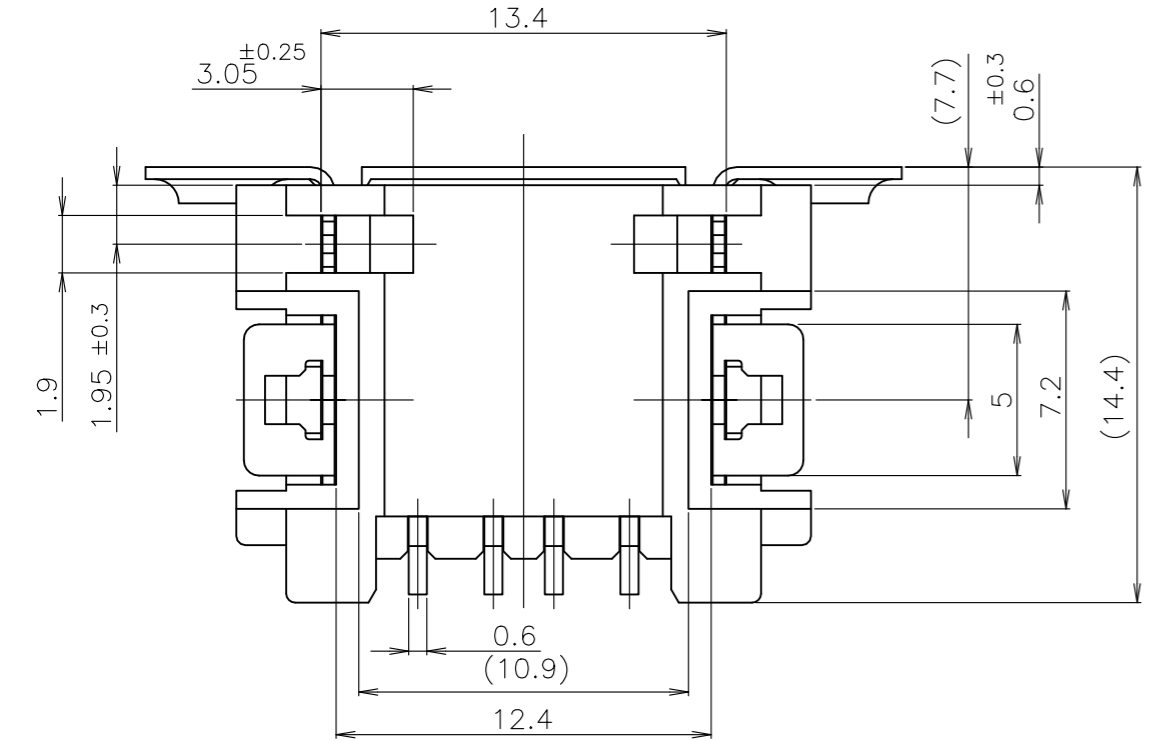
DIMENSIONS: MM	TOLERANCES UNLESS OTHERWISE SPECIFIED:	DWN J.JIANG 23MAR04	TE Connectivity Ltd.
	0 PLC ± 1 PLC ± 2 PLC ± 3 PLC ± 4 PLC ± ANGLES ± FINISH ±	CHK S.YAO 23MAR04	
		APVD T.SASAKI 23MAR04	
		PRODUCT SPEC	
MATERIAL	FINISH	NAME	RECEPTACLE ASS'Y R/A SMT STANDARD TYPE USB CONNECTOR
		APPLICATION SPEC	SIZE CAGE CODE DRAWING NO RESTRICTED TO
		WEIGHT	A3 00779 C-5353583
		CUSTOMER DRAWING	SCALE 4:1 SHEET 1 OF 2 REV B

© TE Connectivity. All Rights Reserved.

REVISIONS					
P	LTR	DESCRIPTION	DATE	DWN	APVD
-	-	SEE SHEET 1	-	-	-



- MATERIAL & FINISH**
 CONTACT: COPPER ALLOY
 Au PL. ON Pd-Ni PL. AT CONTACT AREA OVER Ni PL.
 MATTE TIN PL. AT TINE AREA OVER Ni PL.
 HOUSING: THERMO-PLASTICS, UL94V-0
 SHELL : COPPER ALLOY, TIN PL.
- 2 GENERAL TOLERANCE**
 10 ≥ : ± 0.2
 30 ≥ > 10 : ± 0.25
 100 ≥ > 30 : ± 0.3
 ANGLES : ± 5°
- 3. MATERIAL/PARTS WHICH ARE CONTAINED THE PROHIBITION SUBSTANCE FOR ENVIRONMENTAL RELATED SUBSTANCE CONTROL STANDARD EN-022 (ENVIRONMENT RELATED SUBSTANCE) MUST NOT USE IN PRODUCT AND MANUFACTURING PROCESS**
- 4. CADMIUM CONTENT: 5ppm UNDER**



5353583-3,4

THIS DRAWING IS A CONTROLLED DOCUMENT.		DWN	STE TE Connectivity Ltd.		
DIMENSIONS: MM		CHK			
TOLERANCES UNLESS OTHERWISE SPECIFIED:		APVD	NAME		
0 PLC ±		PRODUCT SPEC	RECEPTACLE ASS'Y R/A SMT STANDARD TYPE USB CONNECTOR		
1 PLC ±		APPLICATION SPEC	SIZE	CAGE CODE	DRAWING NO
2 PLC ±		WEIGHT	A3	00779	C-5353583
3 PLC ±		RESTRICTED TO	CUSTOMER DRAWING		
4 PLC ±		FINISH	SCALE	SHEET	REV
ANGLES ±		4:1	2 OF 2	B	