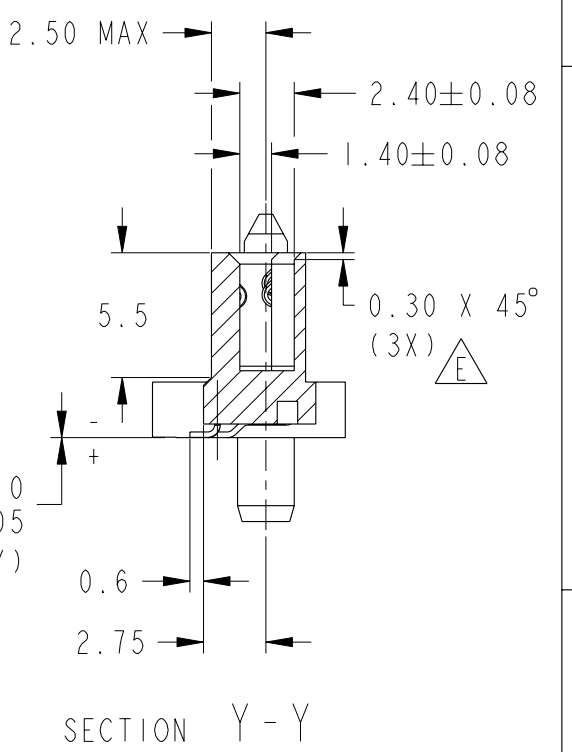
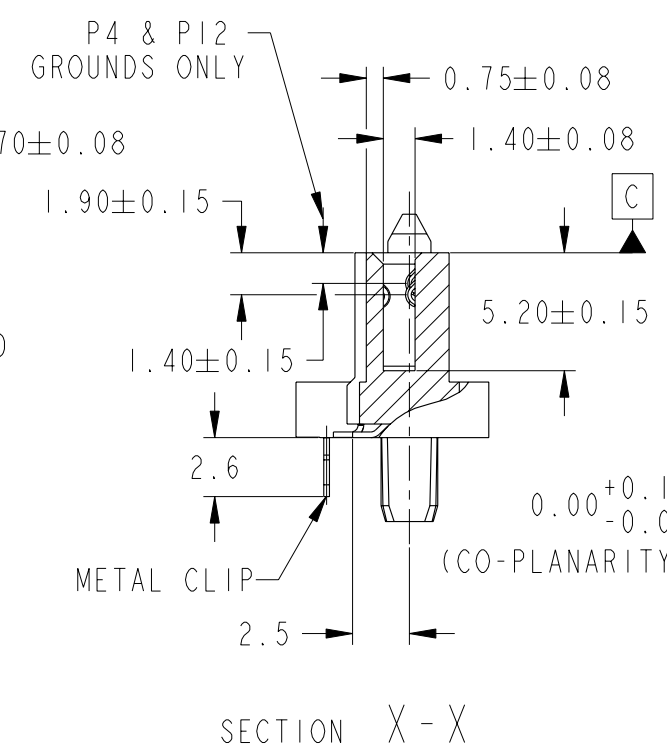
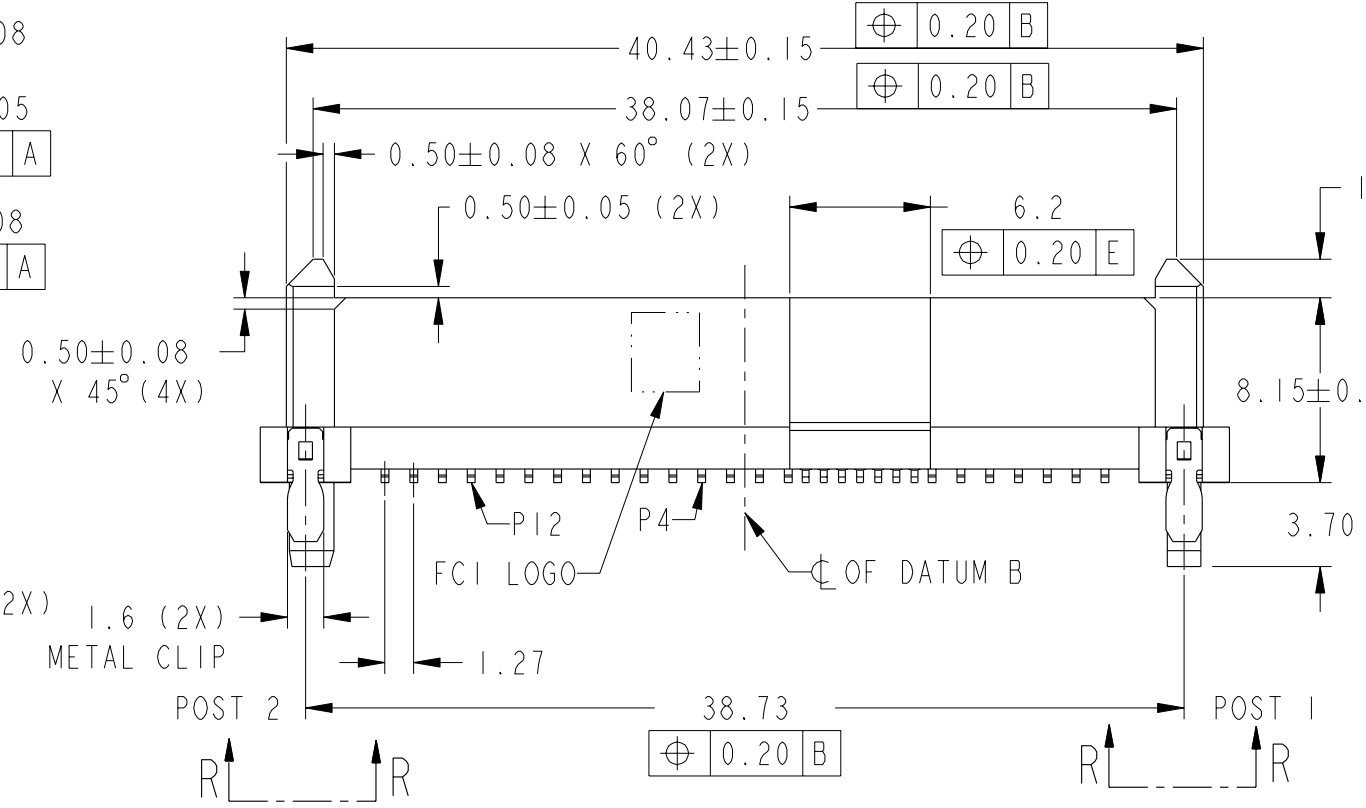
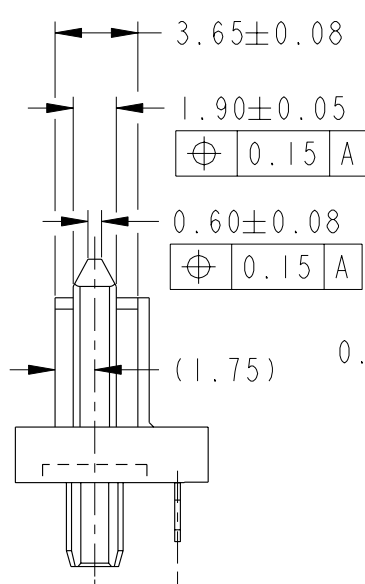
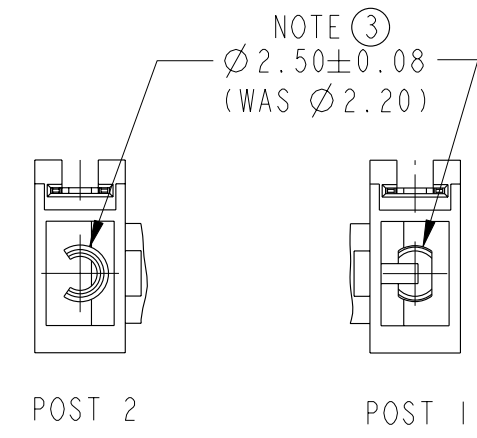
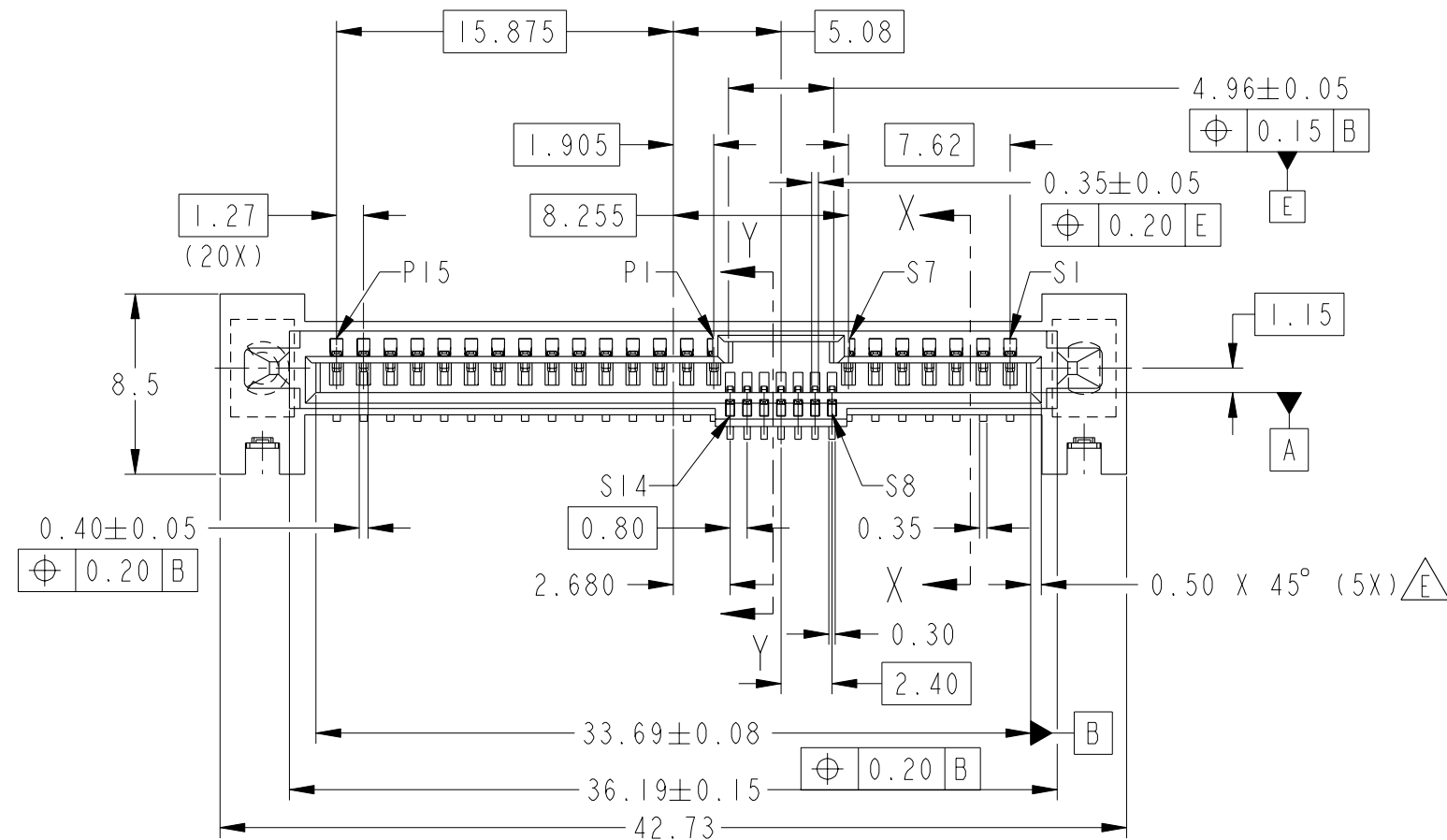


PRODUCT NO  
SEE TABLE



Copyright FCI.

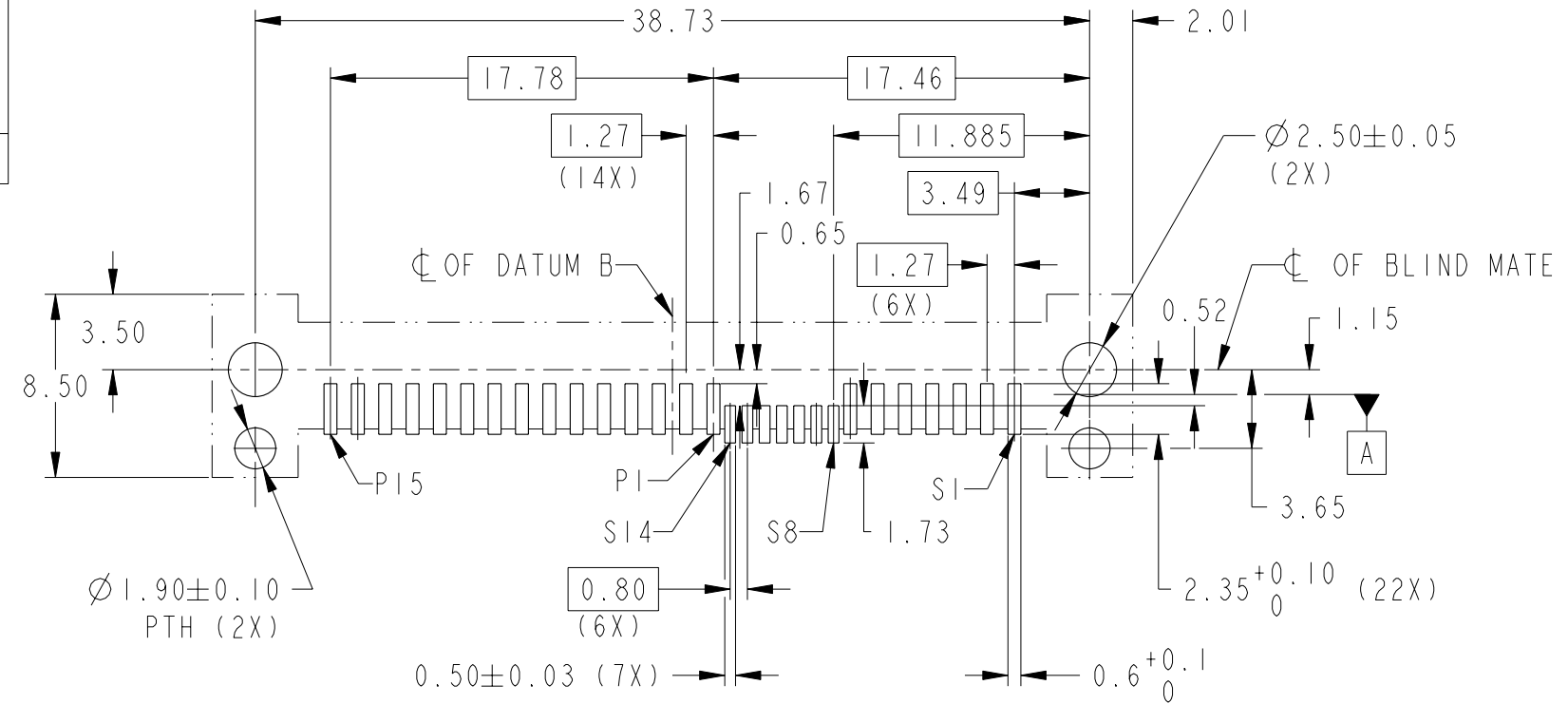
spec ref	-	dr	GL LOO	2004-03-30	projection	MM	size	A3	scale	3:1
tolerance std	ISO 406 ISO 1101	eng	GL LOO	2006-03-14			ecn no	S10-0228	rel level	-
TOLERANCES UNLESS OTHERWISE SPECIFIED		chr	GL LOO	2010-10-28						
surface	ISO 1302	appr	JOEY NG	2010-10-28			rel level	-		
	linear	0.X	±							
		0.XX	±0.20							
		0.XXX	±							
	angular	0°	±2°							

**SAS RECEPTACLE**  
 WIDE BASE SMT  
 www.fci.com cat. no. - Product - Customer Drw sheet 1 of 2  
 rev E  
 SAS RECEIPTABLE  
 10039845  
 PDS: Rev :E STATUS:Released Printed: Nov 01, 2011

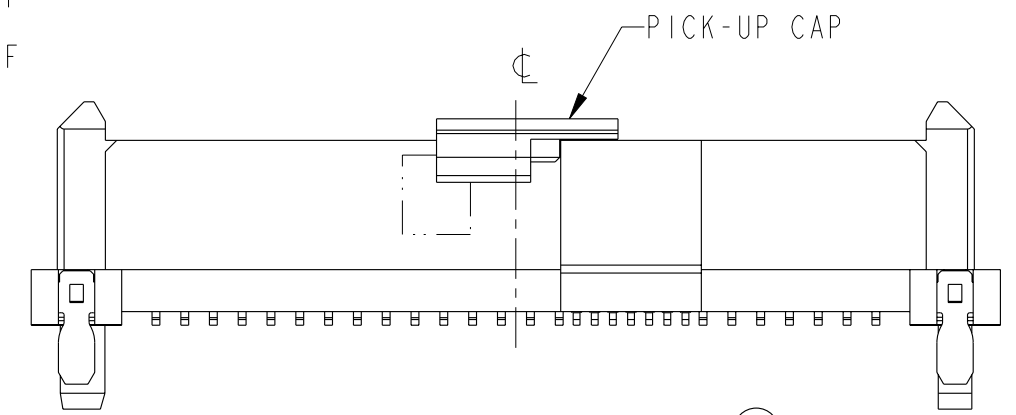
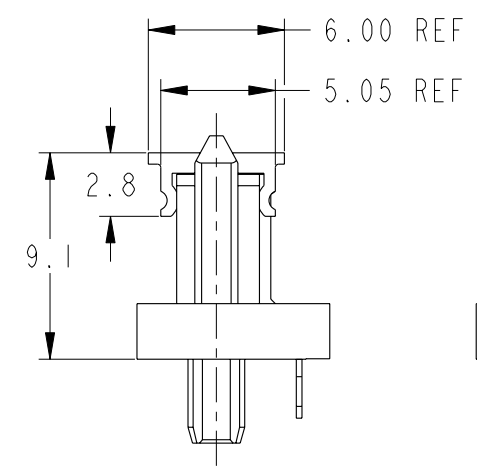
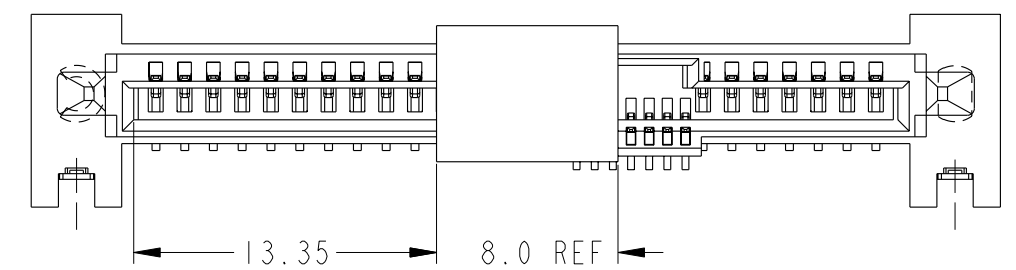
PRODUCT NO	PICK-UP CAP	PACKAGING	REMARK
10039845-001LF	NO	TRAY	--
10039845-001CLF	YES		
10039845-001C-TRLF	YES	TAPE & REEL	
10039845-051LF	NO	TRAY	NO PIN AT S8 TO S14

**NOTES:**

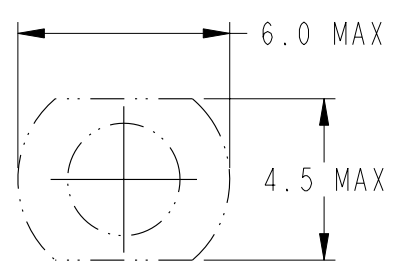
1. MATERIAL:
  - 1) HOUSING : HIGH TEMP THERMOPLASTIC, UL 94V-0
  - COLOUR : BLACK
  - 2) TERMINAL : COPPER ALLOY
  - 3) HOLD DOWN : COPPER ALLOY
2. FINISH :
  - 1) TERMINAL : 30μ" Au PLATING (CONTACT POINT) OVER 50μ" NICKEL
  - 2) SOLDER TAIL : 50μ" MIN Sn OVER 50μ" NICKEL
  - 3) HOLD DOWN : 50μ" MIN Sn OVER 50μ" NICKEL
- ③ THE DIM. IS MEASURED AT P.C. BOARD SITTING PLANE
- ④ PER SFF REV 1.3
- ⑤ PART WITH PICK-UP CAP, P/N XXXXXXXX-XXXC\_LF
- ⑥ THE STD PACKAGING IS IN TRAY
7. FOR TAPE & REEL PACKAGING, SUFFIX "-TR" ADDED.  
P/N XXXXXXXX-XXXC-TR\_LF
8. THE HOUSING WILL WITHSTAND EXPOSURE TO 260°C PEAK TEMPERATURE FOR 10 SECONDS IN A CONVECTION, INFRA-RED OR VAPOR PHASE REFLOW OVEN
- ⑨ THIS PRODUCT MEETS EUROPEAN UNION DIRECTIVES AND OTHER COUNTRY REGULATIONS AS DESCRIBED IN GS-22-008
- ⑩ PART NUMBERS ENDING IN "LF" MEANS FOR NOTE 8 LEAD FREE IDENTIFICATION
- ⑪ A  $\triangle E$  SYMBOL WILL BE NEXT TO ANY DIMENSION, VIEW, OR NOTE WHICH HAS BEEN MODIFIED WITH THE CURRENT DRAWING REVISION.



**RECOMMENDED PCB LAYOUT**



**PART WITH PICK-UP CAP, SEE NOTE ⑤**



**RECOMMENDED SUCTION HEAD SIZE**

spec ref	-	dr	GL LOO	2004-03-30	projection	MM	size	A3	scale	3:1
tolerance std	ISO 406 ISO 1101	eng	GL LOO	2006-03-14			ecn no	S10-0228	rel level	-
TOLERANCES UNLESS OTHERWISE SPECIFIED		chr	GL LOO	2010-10-28						
surface	ISO 1302	appr	JOEY NG	2010-10-28	SAS		rel level	-		
	linear	0.X	±-		SAS RECEPTACLE		dwg no	10039845	rev	E
		0.XX	±0.20		WIDE BASE SMT					
	angular	0°	±2°		www.fci.com	cat. no.	-	Product - Customer Drw	sheet 2 of 2	



Copyright FCI.