

Network cable - NBC-FSBP/0,4-94B/R4AC - 1410277


Please be informed that the data shown in this PDF Document is generated from our Online Catalog. Please find the complete data in the user's documentation. Our General Terms of Use for Downloads are valid (<http://phoenixcontact.com/download>)



Assembled Ethernet cable, shielded, 4-pair, 26 AWG stranded (7-wire), RAL 5021 (water blue), M12 flush-type socket, rear/screw mounting with M16 thread to RJ45 connector/IP20, line, length 0.4 m



Key Commercial Data

Packing unit	1 pc
Minimum order quantity	50 pc
GTIN	 4 046356 893824
GTIN	4046356893824

Technical data

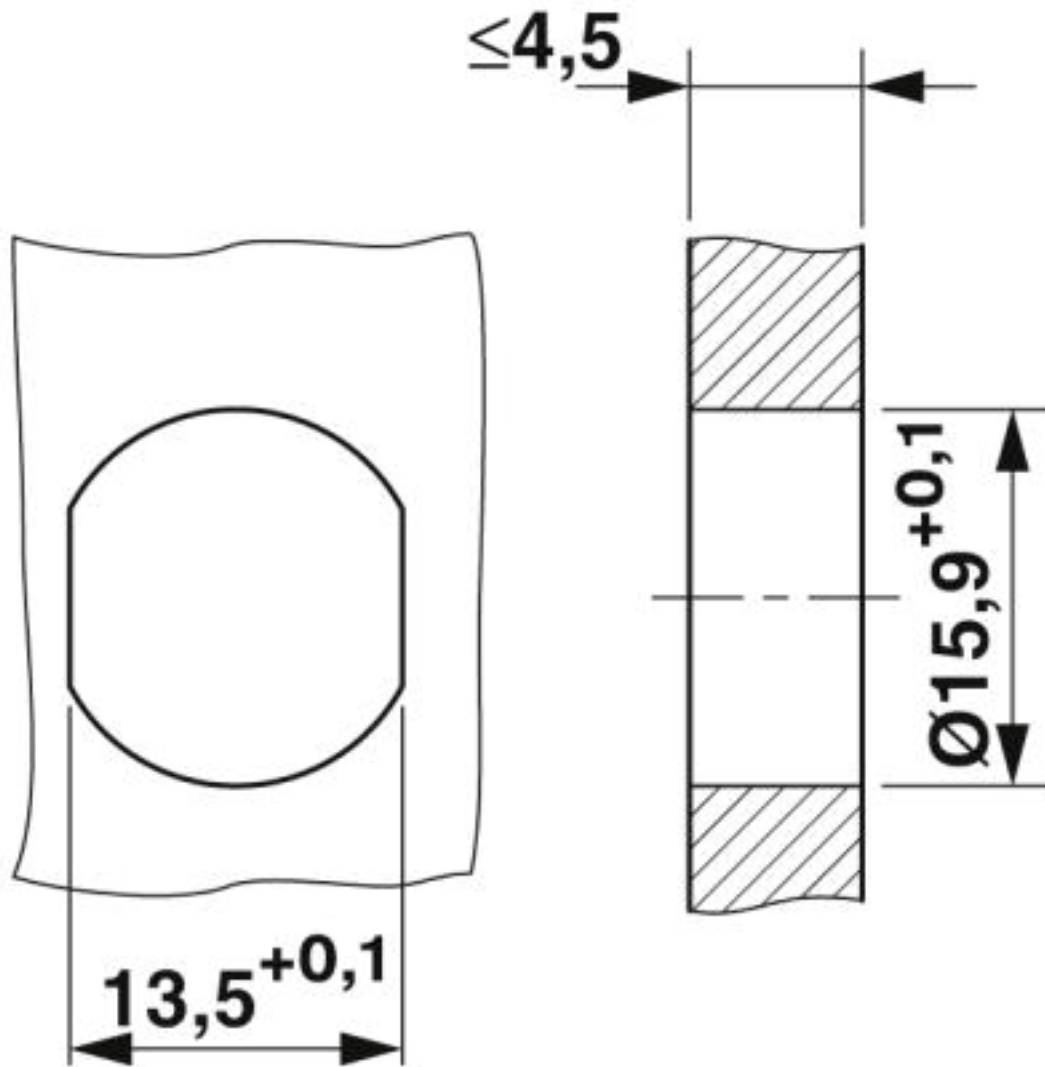
Environmental Product Compliance

	Lead 7439-92-1
China RoHS	Environmentally Friendly Use Period = 50
	For details about hazardous substances go to tab "Downloads", Category "Manufacturer's declaration"

Drawings

Network cable - NBC-FSBP/0,4-94B/R4AC - 1410277

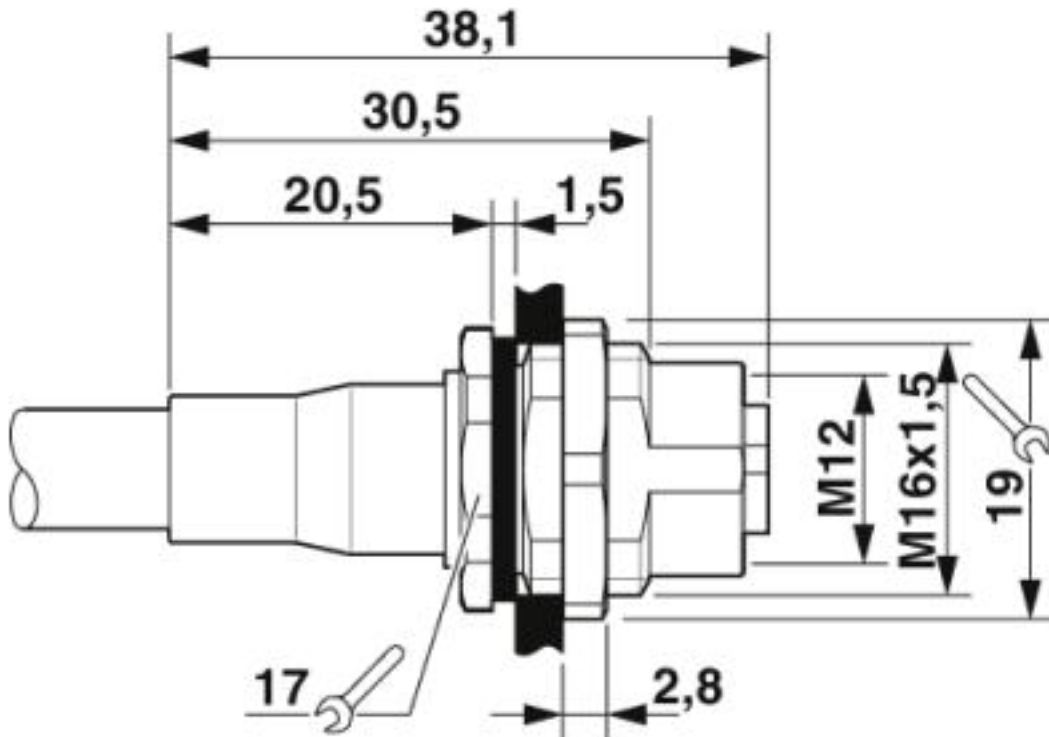
Dimensional drawing



Housing cutout for M16 fastening thread, mounting panel with feed-through hole (alternatively with surface as protection against rotation)

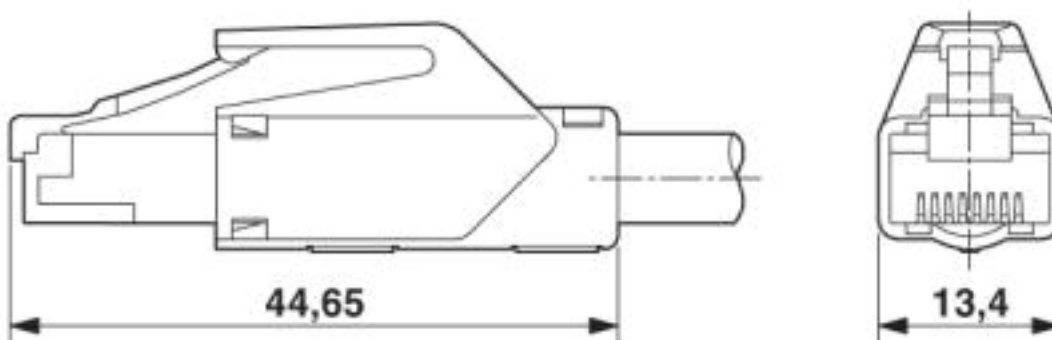
Network cable - NBC-FSBP/0,4-94B/R4AC - 1410277

Dimensional drawing



M12 flush-type connector

Dimensional drawing



Approvals

Approvals

Approvals

EAC

Network cable - NBC-FSBP/0,4-94B/R4AC - 1410277

Approvals

Ex Approvals

Approval details

EAC		B.00767
-----	---	---------



Phoenix Contact 2019 © - all rights reserved
<http://www.phoenixcontact.com>

PHOENIX CONTACT GmbH & Co. KG
Flachsmarktstr. 8
32825 Blomberg
Germany
Tel. +49 5235 300
Fax +49 5235 3 41200
<http://www.phoenixcontact.com>