

## Panel mounting frames - CUC-V14-F1ZNI-EM/R4B8 - 1413962


Please be informed that the data shown in this PDF Document is generated from our Online Catalog. Please find the complete data in the user's documentation. Our General Terms of Use for Downloads are valid (<http://phoenixcontact.com/download>)



RJ45 panel mounting frame, IP67, for push-pull interlocking, metal, for rectangular mounting cutout, with seal and mounting screws, incl. RJ45 coupling module



### Key Commercial Data

Packing unit	1 pc
GTIN	 4 055626 082141
GTIN	4055626082141

### Technical data

#### Mechanical characteristics

Number of positions	8
Number of slots	2
Connection profile	RJ45
Locking type	Push Pull
Insertion/withdrawal cycles	≥ 750
Tightening torque, min.	0.5 Nm
Tightening torque max.	0.75 Nm
Screw thread	M3
Insulation resistance	> 500 MΩ
Degree of protection	IP65/IP67
Type	RJ45, IP65/67, version 14
Note	This product corresponds to the PROFINET Cabling and Interconnection Technology Guideline for PROFINET regulations, version 2.00, order no: 2.252, Chapter 8.2 Connectors for Outside Environment (Balanced cabling) and chapter 13 Application specific Cabling and Interconnection Technology (AIDA)

#### Ambient conditions

Ambient temperature (operation)	-10 °C ... 60 °C
---------------------------------	------------------

## Panel mounting frames - CUC-V14-F1ZNI-EM/R4B8 - 1413962

### Technical data

#### Ambient conditions

Ambient temperature (assembly)	-10 °C ... 60 °C
Ambient temperature (storage/transport)	-40 °C ... 70 °C

#### Material data

Flammability rating according to UL 94	V0
Housing material	Zinc die-cast
Housing surface material	Nickel-plated
Material	Metal
Seal material	NBR
Height	42 mm

#### Electrical characteristics

Number of positions	8
GRP transmission properties	CAT6 <sub>A</sub>
Transmission speed	1 Gbps
Frequency range	250 MHz
Degree of pollution	2
Rated voltage (III/3)	72 V (DC)

#### Standards and Regulations

Flammability rating according to UL 94	V0
--	----

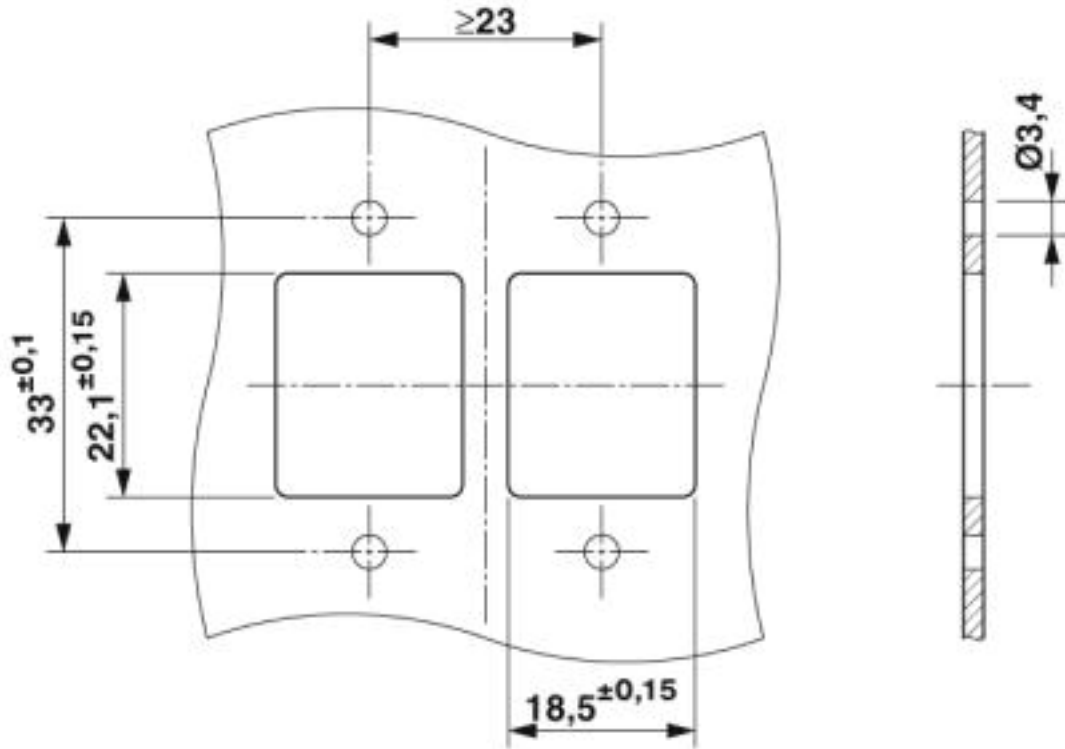
#### Environmental Product Compliance

China RoHS	Environmentally friendly use period: unlimited = EFUP-e
	No hazardous substances above threshold values

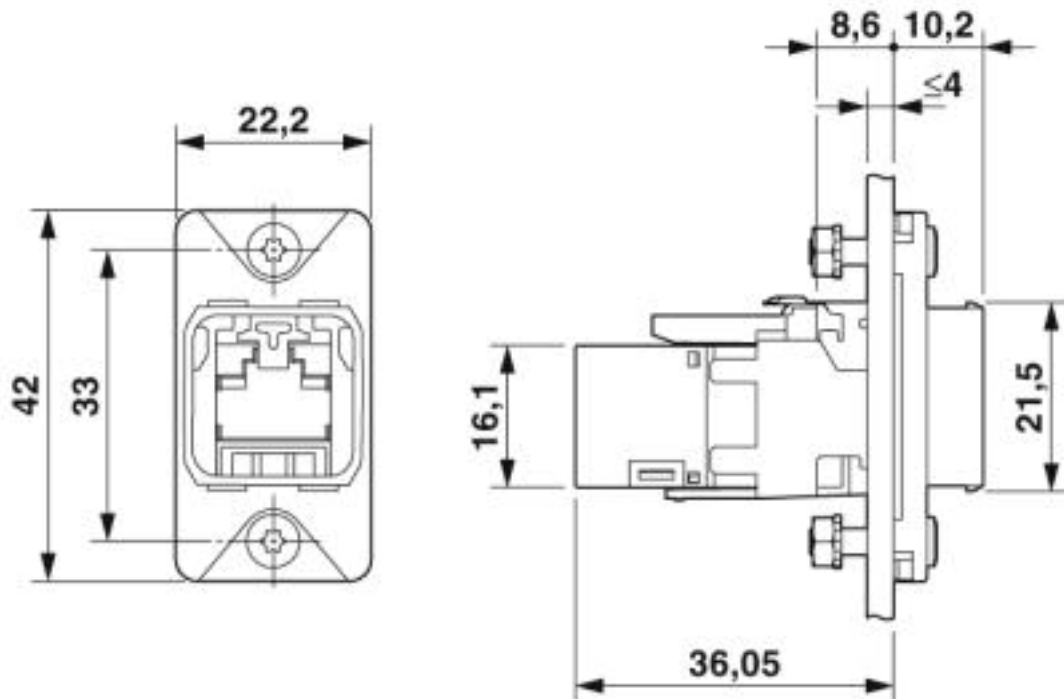
### Drawings

# Panel mounting frames - CUC-V14-F1ZNI-EM/R4B8 - 1413962

Drilling diagram



Dimensional drawing



## Panel mounting frames - CUC-V14-F1ZNI-EM/R4B8 - 1413962

### Approvals

#### Approvals

---

#### Approvals


cULus Recognized

---

#### Ex Approvals

---

### Approval details

cULus Recognized			<a href="http://database.ul.com/cgi-bin/XYV/template/LISEXT/1FRAME/index.htm">http://database.ul.com/cgi-bin/XYV/template/LISEXT/1FRAME/index.htm</a> E335024-20160727
Nominal voltage UN		56.5 V	
Nominal current IN		0.175 A	

---

Phoenix Contact 2019 © - all rights reserved  
<http://www.phoenixcontact.com>

PHOENIX CONTACT GmbH & Co. KG  
Flachsmarktstr. 8  
32825 Blomberg  
Germany  
Tel. +49 5235 300  
Fax +49 5235 3 41200  
<http://www.phoenixcontact.com>