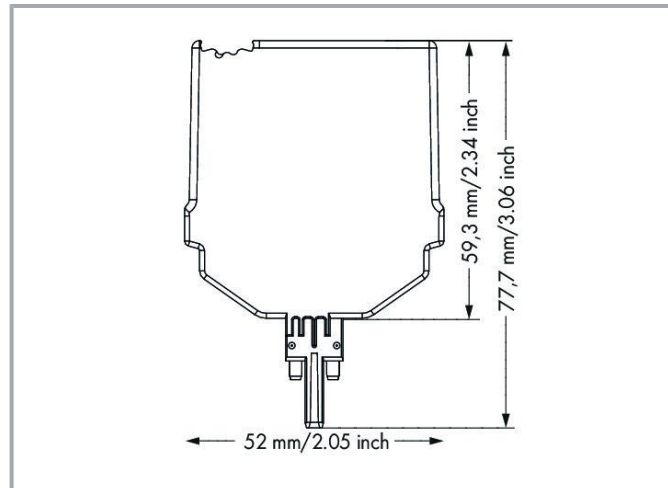
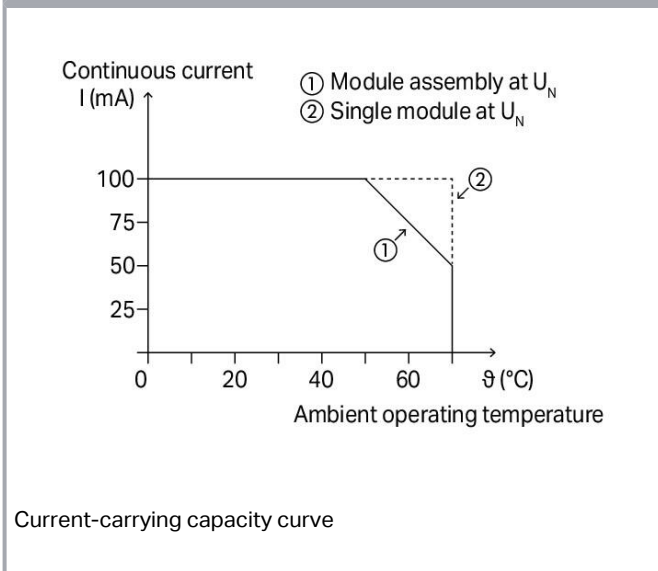
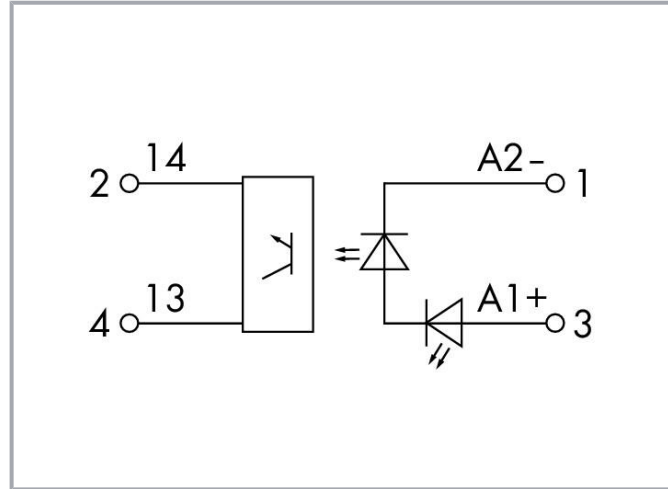


# Data sheet | Item number: 2042-7204



Solid-state relay module; Nominal input voltage: 24 VDC; Output voltage range: 3 ... 60 VDC; Limiting continuous current: 0.1 A; 2-wire connection; Railway; Frequency: 10 kHz; Green status indicator; Module width: 10 mm

[www.wago.com/2042-7204](http://www.wago.com/2042-7204)



Current-carrying capacity curve

Subject to changes. Please also observe the further product documentation!

WAGO GmbH & Co. KG  
Hansastr. 27  
32423 Minden  
Phone: +49571 887-0 | Fax: +49571 887-169  
Email: [info.de@wago.com](mailto:info.de@wago.com) | Web: [www.wago.com](http://www.wago.com)

Do you have any questions about our products?  
We are always happy to take your call at +49 (571) 887-44222.

**Data****Notes**

## Note

Optocouplers and solid state relays are designed for use in signal processing networks, which are not supplied by the low-voltage power supply networks.

**Technical data****Control Circuit**

Nominal input voltage $U_N$	DC 24 V (SELV)
Input voltage range (low level)	DC 0 ... 10 V
Input voltage range (high level)	DC 16.8 ... 30 V
Nominal input current at $U_N$	7 mA
Input current range	6 ... 8 mA

**Load circuit**

Circuit type	2-wire connection
Limiting continuous current	0.1 A
Nominal output voltage	DC 24 V (SELV)
Output voltage range	DC 3 ... 60 V
Voltage drop at output (max.)	$\leq$ DC 1 V
Switching current (min.)	20 $\mu$ A
Turn-on time	$\leq$ 8 $\mu$ s
Turn-off time	$\leq$ 14 $\mu$ s
Switching frequency	$\leq$ 10 kHz

**Signaling**

Status indicator	Green LED
------------------	-----------

**Safety and protection**

Overvoltage category	II
Pollution degree	2

Subject to changes. Please also observe the further product documentation!



Dielectric strength (control/load circuit) (AC, 1 min)	2.5 kVrms
--	-----------

Protection type	IP20
-----------------	------

### Physical data

Width	10.3 mm / 0.406 inches
-------	------------------------

Height	77.7 mm / 3.059 inches
--------	------------------------

Height from the surface	59.3 mm / 2.335 inches
-------------------------	------------------------

Depth	52 mm / 2.047 inches
-------	----------------------

### Mechanical data

Mounting type	Pluggable module for TOPJOB® S Carrier Terminal Block
---------------	---

### Material Data

Flammability class per UL94	V0
-----------------------------	----

Fire load	0.133 MJ
-----------	----------

Weight	13.4 g
--------	--------

### Environmental requirements

Ambient temperature (operation at $U_N$ )	-40 ... +70 °C
---	----------------

Ambient temperature (storage)	-40 ... +85 °C
-------------------------------	----------------

Processing temperature	-25 ... +50 °C
------------------------	----------------

Operating altitude (max.)	2000 m
---------------------------	--------

### Standards and specifications

Standards/specifications	EN 61010-2-201 EN 61373 EN 50121-3-2 EN 50121-4 EN 61000-6-2 EN 61000-6-3
--------------------------	--

### Commercial data

eCl@ss 10.0	27-14-11-49
-------------	-------------

eCl@ss 9.0	27-14-11-49
------------	-------------

ETIM 8.0	EC002018
----------	----------

ETIM 7.0	EC002018
----------	----------

Subject to changes. Please also observe the further product documentation!




PU (SPU)	1 pcs
Packaging type	Bag
Country of origin	DE
GTIN	4055143751353
Customs tariff number	85365005000

## Environmental Product Compliance

CAS-No.	7439-92-1 79-94-7
REACH Candidate List Substance	2,2',6,6'-tetrabromo-4,4'-isopropylidenediphenol Lead
RoHS Compliance Status	Compliant, With Exemption
RoHS Exemption	7(a) 7(c)-I 7(c)-II
SCIP notification number (Austria)	47df07bb-8f45-4734-8cfd-ee1d891b82d2
SCIP notification number (Belgium)	80c4a6fa-1b17-48e0-89bb-a9376a506121
SCIP notification number (Bulgaria)	23d89563-82be-4983-b8c5-fe81c3f79217
SCIP notification number (Czech Republic)	0de40768-066e-47a7-a91e-8a9f7cfb3093
SCIP notification number (Denmark)	0be9d5e3-ac10-445f-848b-739921968c01
SCIP notification number (Finland)	42166328-6e6f-4d24-b7d5-e704f63b3bc6
SCIP notification number (France)	0c7dc114-a5cf-4422-9924-37275cecd47c
SCIP notification number (Germany)	d33a3b2c-9eb3-494d-86a1-86ba27581699
SCIP notification number (Hungary)	26d1001c-40f0-45fe-90fe-d7d1715423a7
SCIP notification number (Italy)	98eb5954-43dc-4fef-bf11-e37579c0ace3
SCIP notification number (Netherlands)	fc8c17d1-2c59-40d7-bd6e-baf99326d834
SCIP notification number (Poland)	939dbb23-35e5-468d-ace8-68ba68651973
SCIP notification number (Romania)	51a7300f-54c3-4fec-a8c2-934bb7851031
SCIP notification number (Sweden)	13811e41-fa2d-47fd-8309-bc6c442dd488

## Approvals / Certificates

### General approvals

Logo	Approval	Additional Approval Text	Certificate name
	EAC Brjansker Zertifizierungsstelle	TP TC 020/2011	EAC_Certificate_RU_C- DE.AM02.B.00115_19
	UL Underwriters Laboratories Inc. (ORDINARY)	UL 61010-1	E175199

Subject to changes. Please also observe the further product documentation!


WAGO GmbH & Co. KG  
Hansastr. 27  
32423 Minden  
Phone: +49571 887-0 | Fax: +49571 887-169  
Email: [info.de@wago.com](mailto:info.de@wago.com) | Web: [www.wago.com](http://www.wago.com)

Do you have any questions about our products?  
We are always happy to take your call at +49 (571) 887-44222.



LOCATIONS)

## Declarations of conformity and manufacturer's declarations

Logo	Approval	Additional Approval Text	Certificate name
	EU-Declaration of Conformity WAGO GmbH & Co. KG	-	-

## Optional accessories

## Marking accessories

## Marking strip



Item no.: 2009-110

Marking strips; for Smart Printer; on reel; not stretchable; plain; snap-on type; white

[www.wago.com/2009-110](http://www.wago.com/2009-110)

## Marker



Item no.: 2009-115

WMB-Inline; for Smart Printer; 1500 pieces on roll; stretchable 5 - 5.2 mm; plain; snap-on type; white

[www.wago.com/2009-115](http://www.wago.com/2009-115)

Item no.: 793-501

WMB marking card; as card; not stretchable; plain; snap-on type; white

[www.wago.com/793-501](http://www.wago.com/793-501)

Item no.: 793-5501

WMB marking card; as card; for terminal block width 5 - 17.5 mm; stretchable 5 - 5.2 mm; plain; snap-on type; white

[www.wago.com/793-5501](http://www.wago.com/793-5501)

## End plate

## End plate



Item no.: 2002-1892

End and intermediate plate; 1 mm thick; orange

[www.wago.com/2002-1892](http://www.wago.com/2002-1892)

Item no.: 2002-1891

End and intermediate plate; 1 mm thick; gray

[www.wago.com/2002-1891](http://www.wago.com/2002-1891)

Item no.: 2002-1991

End and intermediate plate; 1 mm thick; gray

[www.wago.com/2002-1991](http://www.wago.com/2002-1991)

Item no.: 2002-1992

End and intermediate plate; 1 mm thick; orange

[www.wago.com/2002-1992](http://www.wago.com/2002-1992)

Item no.: 2002-1691

End and intermediate plate; 1 mm thick; gray

[www.wago.com/2002-1691](http://www.wago.com/2002-1691)

Subject to changes. Please also observe the further product documentation!

WAGO GmbH &amp; Co. KG

Hansastr. 27

32423 Minden

Phone: +49571 887-0 | Fax: +49571 887-169

Email: [info.de@wago.com](mailto:info.de@wago.com) | Web: [www.wago.com](http://www.wago.com)

Do you have any questions about our products?

We are always happy to take your call at +49 (571) 887-44222.



**Item no.: 2002-1692**  
End and intermediate plate; 1 mm thick; orange

[www.wago.com/2002-1692](http://www.wago.com/2002-1692)



**Item no.: 2002-1791**  
End and intermediate plate; 1 mm thick; gray

[www.wago.com/2002-1791](http://www.wago.com/2002-1791)



**Item no.: 2002-1792**  
End and intermediate plate; 1 mm thick; orange

[www.wago.com/2002-1792](http://www.wago.com/2002-1792)

### Terminal blocks

Carrier terminal block for modules and plugs



**Item no.: 2002-1961**  
2-conductor carrier terminal block; with additional jumper position; for DIN-rail 35 x 15 and 35 x 7.5; 2.5 mm<sup>2</sup>; Push-in CAGE CLAMP®; 2,50 mm<sup>2</sup>; gray [www.wago.com/2002-1961](http://www.wago.com/2002-1961)



**Item no.: 2002-1761**  
3-conductor carrier terminal block; for DIN-rail 35 x 15 and 35 x 7.5; 2.5 mm<sup>2</sup>; Push-in CAGE CLAMP®; 2,50 mm<sup>2</sup>; gray [www.wago.com/2002-1761](http://www.wago.com/2002-1761)



**Item no.: 2002-1861**  
4-conductor carrier terminal block; for DIN-rail 35 x 15 and 35 x 7.5; 2.5 mm<sup>2</sup>; Push-in CAGE CLAMP®; 2,50 mm<sup>2</sup>; gray [www.wago.com/2002-1861](http://www.wago.com/2002-1861)

### Downloads

#### Documentation

##### Bid Text

2042-7204 docx - Datei	2019 Feb 20	docx 16.9 kB	Download
---------------------------	-------------	-----------------	----------

2042-7204 X81 - Datei	2019 Feb 19	xml 4.3 kB	Download
--------------------------	-------------	---------------	----------

##### Instruction Leaflet

Pluggable Relay Module / Pluggable Solid-State Relay Module	V 1.1.0	pdf 2.0 MB	Download
---	---------	---------------	----------

##### Additional Information

Disposal and Recycling Electrical and electronic equipment, Batteries, Packaging	V 1.1.0 2022 Aug 18	pdf 2.2 MB	Download
---	------------------------	---------------	----------

Subject to changes. Please also observe the further product documentation!



## Environmental Product Compliance

### Compliance Search

Environmental Product Compliance 2042-7204

URL

Download

Solid-state relay module; Nominal input voltage: 24 VDC; Output voltage range: 3 ... 60 VDC; Limiting continuous current: 0.1 A; 2-wire connection; Railway; Frequency: 10 kHz; Green status indicator; Module width: 10 mm

---

## Installation Notes

Subject to changes. Please also observe the further product documentation!

---

WAGO GmbH & Co. KG

Hansastr. 27

32423 Minden

Phone: +49571 887-0 | Fax: +49571 887-169

Email: [info.de@wago.com](mailto:info.de@wago.com) | Web: [www.wago.com](http://www.wago.com)

Do you have any questions about our products?

We are always happy to take your call at +49 (571) 887-44222.