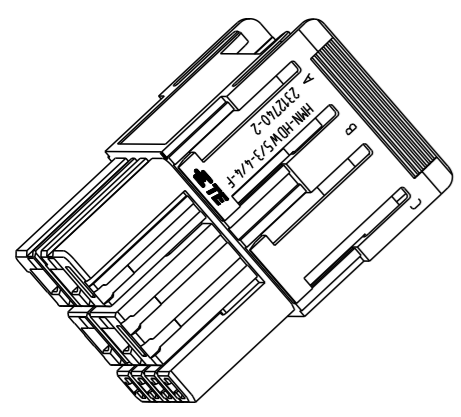
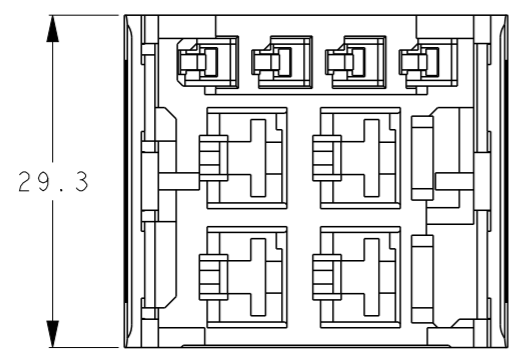


THIS DRAWING IS UNPUBLISHED. RELEASED FOR PUBLICATION 20
 © COPYRIGHT 20 BY - ALL RIGHTS RESERVED.

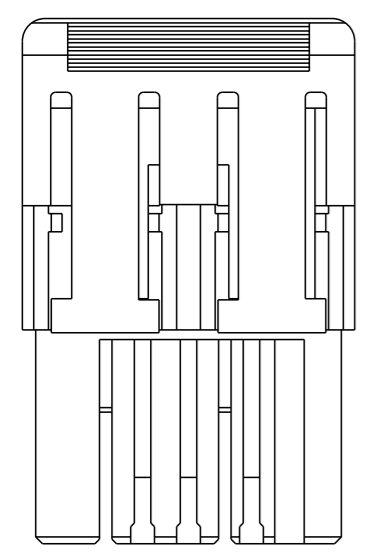
REVISIONS					
P	LTR	DESCRIPTION	DATE	DWN	APVD
	A	REVISED PER ECR-19-003017	25FEB2019	R1	E1



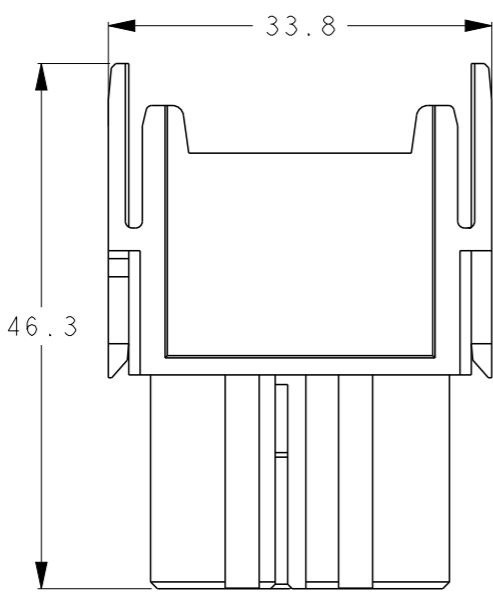
SCALE 1:1



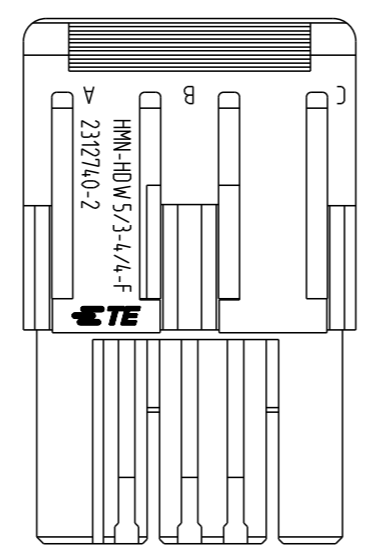
29.3



46.3



33.8



1. TECHNICAL CHARACTERISTICS :
- INSULATION MATERIAL : PBT
 - RATED VOLTAGE : HD5 800V/HD3 800V
 - RATED CURRENT : HD5 40A/HD3 11A
 - INSULATION RESISTANCE : >=100MΩ
 - RATED IMPULSE VOLTAGE : 8KV
 - POLLUTION DEGREE : 3
 - FLAMMABILITY : UL94V-0
 - MATING CYCLES : 100 CYCLES
 - OPERATION TEMPERATURE : -40°C~+125°C
 - WIRE RANGE : HD5 1.23SQmm~8.92SQmm
HD3 0.08SQmm~2.20SQmm
 - CONTACT TYPE : CRIMP CONTACT
2. CONTACT NEED TO BE ORDERED SEPARATELY.
 (ORDER No. REFER TO DRAWING : SEE TABLE)

TABLE 1

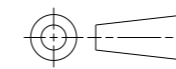
INSULATION RANGE	WIRE RANGE	SIZE	SERIES	REEL	L/P	DESCRIPTION
3.1-3.8	AWG16-14, 1.25-2.20SQmm	3L	HD3	2298107-5	2311162-5	D3 FMLB RECEPTACLE CONTACT
2.2-2.8	AWG16-14, 1.25-2.20SQmm	2L	HD3	2298107-4	2311162-4	
1.8-2.8	AWG20-16, 0.50-1.25SQmm	L	HD3	2298107-3	2311162-3	
1.2-2.6	AWG24-20, 0.20-0.50SQmm	M	HD3	2298107-2	2311162-2	
0.8-1.4	AWG28-24, 0.08-0.20SQmm	S	HD3	2298107-1	2311162-1	D5 RECEPTACLE CONTACT
4.9-7.8	AWG8, 7.95-8.92SQmm	L	HD5	1318696-2	1318697-2	
4.0-5.2	AWG12-10, 3.08-5.50SQmm	M	HD5	179956-2	316041-2	
3.0-3.8	AWG16-14, 1.23-2.27SQmm	S	HD5	179955-2	316040-2	
				PART NUMBER		

TABLE 2

DESCRIPTION	PART NUMBER
H24B MALE FRAME FOR 6 MODULES	T2070244201-002
H16B MALE FRAME FOR 4 MODULES	T2070164201-002
H10B MALE FRAME FOR 3 MODULES	T2070104201-002
H6B MALE FRAME FOR 2 MODULES	T2070064201-002

2312740-2
PART NUMBER

THIS DRAWING IS A CONTROLLED DOCUMENT.		DWN R. ITO 27MAR2017	TE Connectivity NAME MODULE INSERT, HMN-HDW5/3-4/4-F HDC DYNAMIC						
DIMENSIONS: mm		CHK E. TAKEMASA 27MAR2017				SIZE 108-140161	CAGE CODE -	DRAWING NO -	RESTRICTED TO -
TOLERANCES UNLESS OTHERWISE SPECIFIED:		APVD N. YAMASAKI 27MAR2017				APPLICATION SPEC 114-78029	WEIGHT 23.7g	SCALE 3:2	SHEET 1 OF 1
MATERIAL SEE NOTE		FINISH -				CUSTOMER DRAWING	REV A		



0 PLC	±0.5
1 PLC	±0.5
2 PLC	±0.5
3 PLC	±0.5
4 PLC	±0.5
ANGLES	±5°