

THIS IS A C.A.D. GENERATED DRAWING  
DO NOT MAKE MANUAL REVISIONS TO MASTER.



ISSUE NUMBER

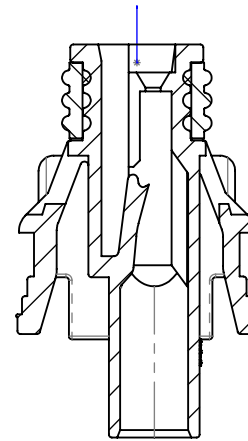
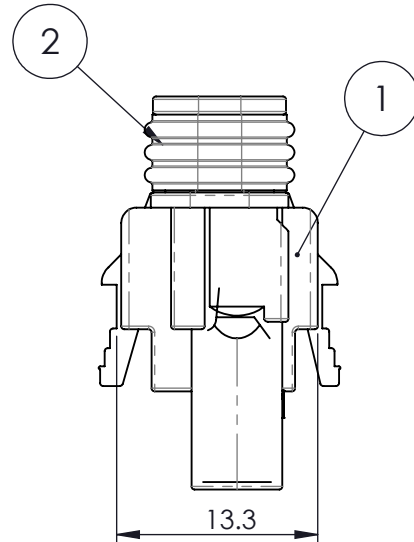
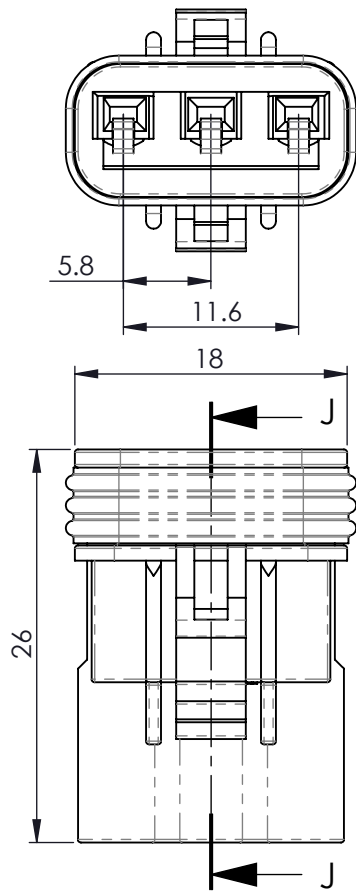
ORIGINAL ①

**MATERIALS:**

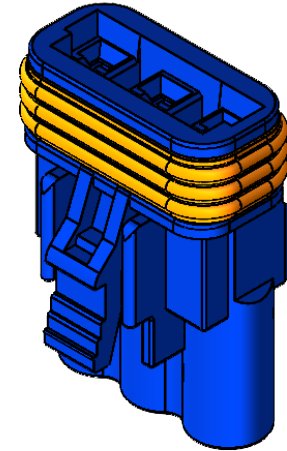
HOUSING: PBT, UL94V-0, BLUE COLOR  
WIRE-HOUSING SEAL: SILICON RUBBER

**SPECIFICATIONS**


1. PITCH: 5.8MM
2. RATED VOLTAGE: 300V
3. RATED CURRENT: 10A MAX
4. WITHSTAND VOLTAGE: AC 1700V R.M.S.
5. CONTACT RESISTANCE: 10 mOHMS MAX
6. INSULATION RESISTANCE: 1000 MOHMS MIN/DC 500V
7. TEMPERATURE RANGE: -40°C ~ +105°C
8. WATERPROOF GRADE: TESTED AND CERTIFIED TO IP67



SECTION J-J



ITEM NO.	DESCRIPTION	QTY.
1	572-003-000-FEMALE-HOUSING	1
2	570-003-000-HOUSING-SEAL	1

Waterproof Connector, Insulator, Female, Blue, 3Pin 572-003-000-400		ACAD REFERENCE NO. 572-003-000-400	
		DRAWN: R.STA.MONICA	DATE: NOV.16/15
 EDAC INC TORONTO, ONTARIO CANADA YOUR CONNECTION TO QUALITY & SERVICE		CHECKED:	DATE:
		SCALE: NOT TO SCALE	SHEET 1 OF 1
THESE DRAWINGS AND SPECIFICATIONS ARE THE PROPERTY OF EDAC INC. AND SHALL NOT BE REPRODUCED, OR COPIED OR USED AS THE BASIS FOR THE MANUFACTURE OR SALE OF APPARATUS WITHOUT WRITTEN PERMISSION.		DRAWING NUMBER	
		572-003-000-400	
		ISSUE	
		1	



THIS SERIES FULLY CONFORMS TO THE  
EUROPEAN UNION DIRECTIVES  
2011/65/EU FOR RoHS COMPLIANCY