

4

3

2

1

THIS DRAWING IS UNPUBLISHED.

RELEASED FOR PUBLICATION

© COPYRIGHT

BY TYCO ELECTRONICS CORPORATION. ALL RIGHTS RESERVED.

LOC
ES 00DIST
P LTR

REVISIONS

DESCRIPTION	DATE	DWN	APVD
REVISED FB00-0217-04	16DEC04	H.H	I.E

⑥ PLUG ASSEMBLY

② COVER "B"

③ WIRE CLAMP

⑤ M3X10 SCREW
④ M2.6X6 SCREW

NOTES: THIS IS LEAD-FREE P/N.

① COVER "A" (KEY "A")

C	B	A	QTY	MATERIAL & FINISH	DESCRIPTION	PART NUMBER	ITEM	KEY TYPE	PART NUMBER
33.1	—	—	1	THERMOPLASTIC, UL94V-0 COLOR: GRAY	PLUG ASSEMBLY, 22P	2-292245-2	⑥		
—	—	—	1	STEEL, ZINC PLATED	TAPTITE SCREW, P-TITE M3X10	292264-1	⑤		
—	—	—	2	STEEL, ZINC PLATED	TAPTITE SCREW, P-TITE M2.6X6	292263-1	④	A	2-292249-2
—	—	—	1	STEEL, ZINC PLATED	WIRE CLAMP	292265-1	③		
—	—	36.5	1	THERMOPLASTIC, UL94-HB COLOR: GRAY	COVER "B", 22P	2-1318656-2	②		
—	5.55	36.5	1	THERMOPLASTIC, UL94-HB COLOR: GRAY	COVER "A", 22P, KEY "A"	2-1318655-2	①		

DIMENSIONS		TOLERANCES UNLESS OTHERWISE SPECIFIED		DIMENSIONS: mm		TOLERANCES UNLESS OTHERWISE SPECIFIED		MATERIAL		FINISH		WEIGHT		CUSTOMER DRAWING	
0 PLC	±	1 PLC	±	1	±	2 PLC	±	2	±	3 PLC	±	3	±	3	±
4 PLC	±	4 PLC	±	4	±	ANGLES	±	4	±						
SEE TABLE		SEE TABLE		SEE TABLE		SEE TABLE		SEE TABLE		SEE TABLE		SEE TABLE		SEE TABLE	

APVD	CHK	DWN	NAME	PRODUCT SPEC	APPLICATION SPEC	SIZE	CAGE CODE	DRAWING NO	RESTRICTED TO
T.SASAKI	S.YAO	J.JIANG	Tyco Electronics Corporation	108-60028	114-5256	A3	00779	C- 292249	

THIS DRAWING IS A CONTROLLED DOCUMENT FOR TYCO ELECTRONICS CORPORATION. IT IS SUBJECT TO CHANGE AND THE CONTROLLING ENGINEERING ORGANIZATION SHOULD BE CONTACTED FOR THE LATEST REVISION.

tyco Electronics Tyco Electronics Corporation Shanghai, P.R.China, 200233

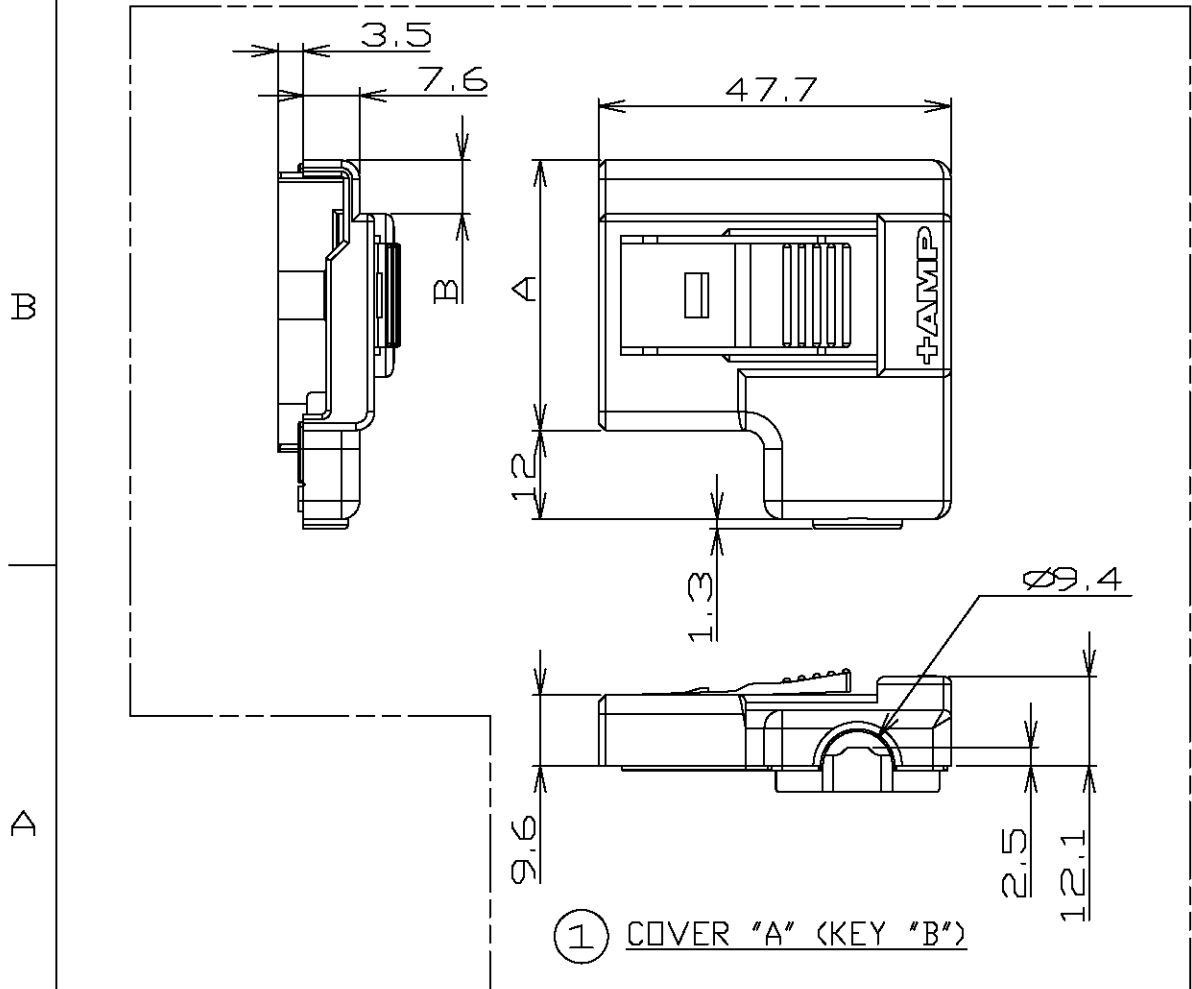
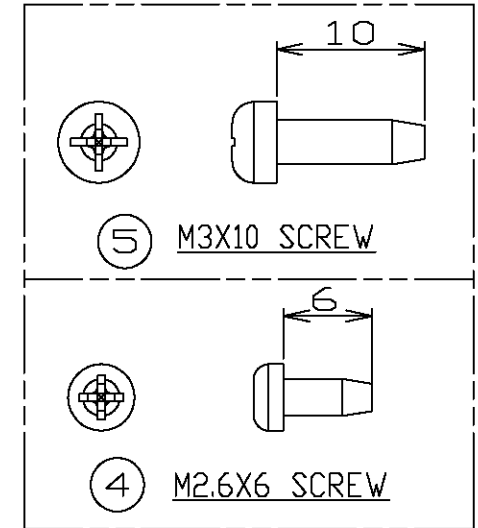
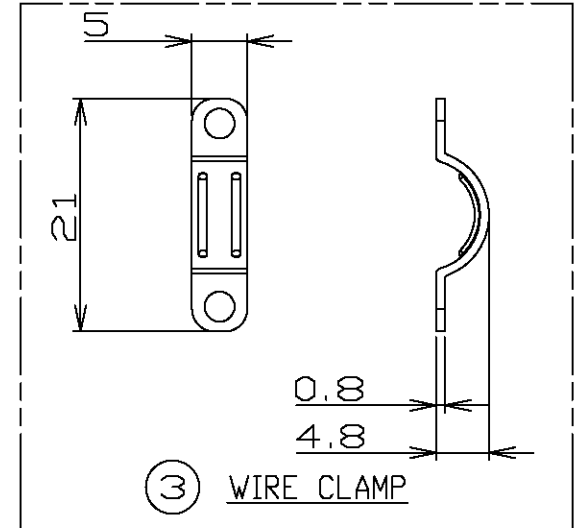
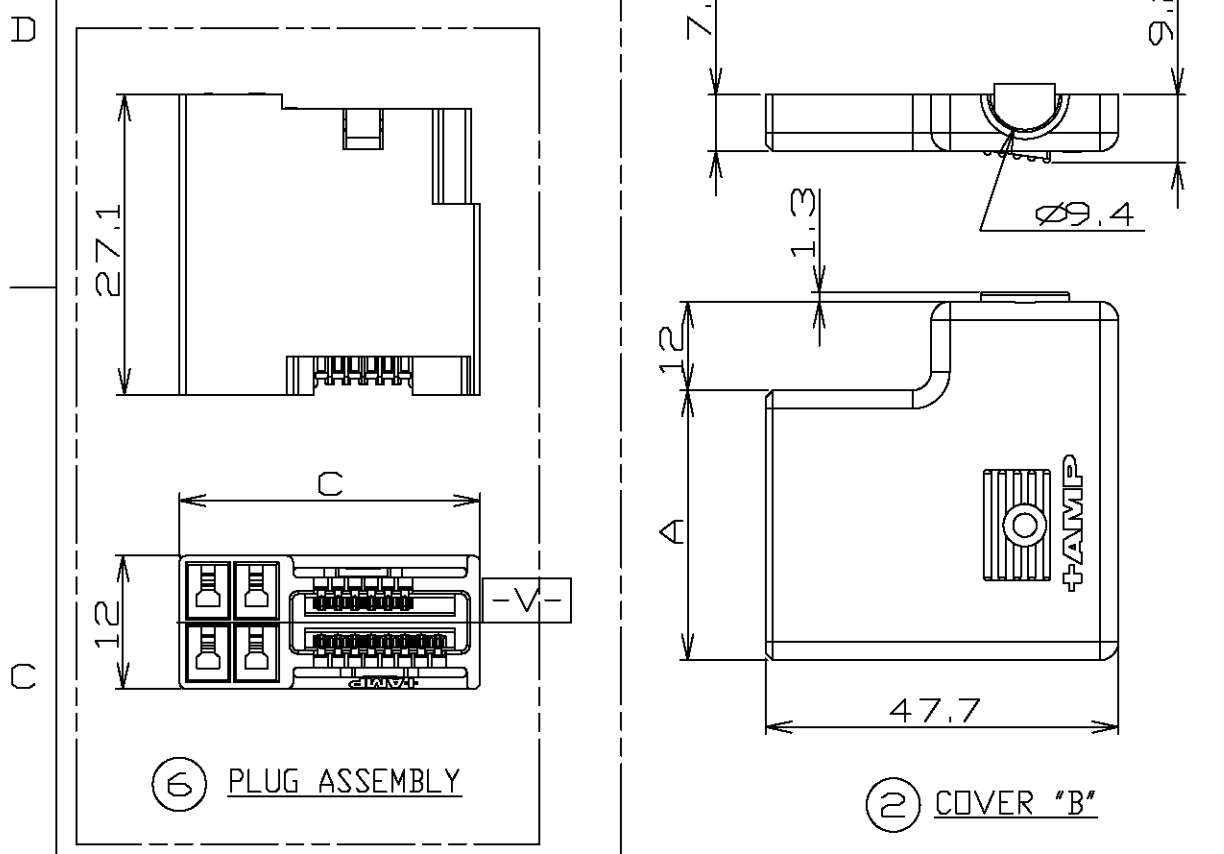
CABLE CLAMP KIT, HIGH WALL TYPE FOR AMP 1.5mm PITCH MINI CT HYBRID LATTICE CONNECTOR

SCALE: NON SHEET 1 OF 3 REV A

AMP 1470-19 REV 31MAR2000

THIS DRAWING IS UNPUBLISHED. RELEASED FOR PUBLICATION
 © COPYRIGHT BY TYCO ELECTRONICS CORPORATION. ALL RIGHTS RESERVED.

LOC	DIST	REVISIONS		
ES	00	P	LTR	DESCRIPTION
		-	-	SEE SHEET 1
				DATE
				DWN
				APVD



QTY	MATERIAL & FINISH	DESCRIPTION	PART NUMBER	ITEM	KEY TYPE	PART NUMBER
33.1	THERMOPLASTIC, UL94V-0 COLOR: GRAY	PLUG ASSEMBLY, 22P	2-292245-2	6		
—	STEEL, ZINC PLATED	TAPTITE SCREW, P-TITE M3X10	292264-1	5		
—	STEEL, ZINC PLATED	TAPTITE SCREW, P-TITE M2.6X6	292263-1	4	B	4-292249-2
—	STEEL, ZINC PLATED	WIRE CLAMP	292265-1	3		
—	THERMOPLASTIC, UL94-HB COLOR: GRAY	COVER "B", 22P	2-1318656-2	2		
—	THERMOPLASTIC, UL94-HB COLOR: GRAY	COVER "A", 22P, KEY "B"	4-1318655-2	1		
C	B	A	QTY	MATERIAL & FINISH	DESCRIPTION	PART NUMBER
DIMENSIONS				COMPONENTS		

THIS DRAWING IS A CONTROLLED DOCUMENT FOR TYCO ELECTRONICS CORPORATION. IT IS SUBJECT TO CHANGE AND THE CONTROLLING ENGINEERING ORGANIZATION SHOULD BE CONTACTED FOR THE LATEST REVISION.

DIMENSIONS: mm	TOLERANCES UNLESS OTHERWISE SPECIFIED:	DWN	Tyco Electronics Corporation Shanghai, P.R.China, 200233
	0 PLC ±	CHK	
	1 PLC ±	APVD	
	2 PLC ±	PRODUCT SPEC	
	3 PLC ±	APPLICATION SPEC	NAME
	4 PLC ±		CABLE CLAMP KIT, HIGH WALL TYPE FOR AMP 1.5mm PITCH MINI CT HYBRID LATTICE CONNECTOR
	ANGLES ±		SIZE
MATERIAL	FINISH	WEIGHT	CAGE CODE
SEE TABLE	SEE TABLE	CUSTOMER DRAWING	DRAWING NO
			A3 00779 C-
			292249
			RESTRICTED TO
			SCALE NON
			SHEET 2 OF 3
			REV A

4

3

2

1

THIS DRAWING IS UNPUBLISHED.

RELEASED FOR PUBLICATION

© COPYRIGHT

BY TYCO ELECTRONICS CORPORATION. ALL RIGHTS RESERVED.

LOC ES DIST 00

P LTR

REVISIONS

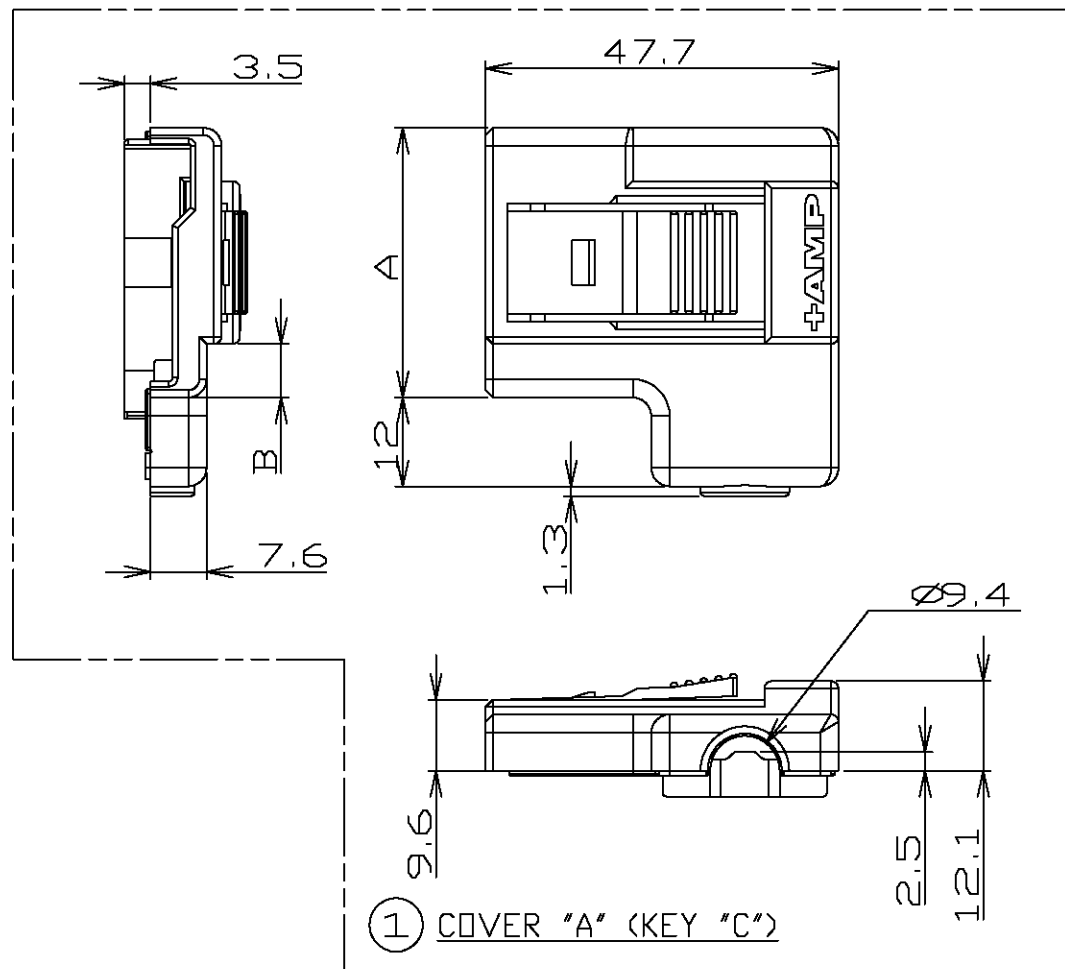
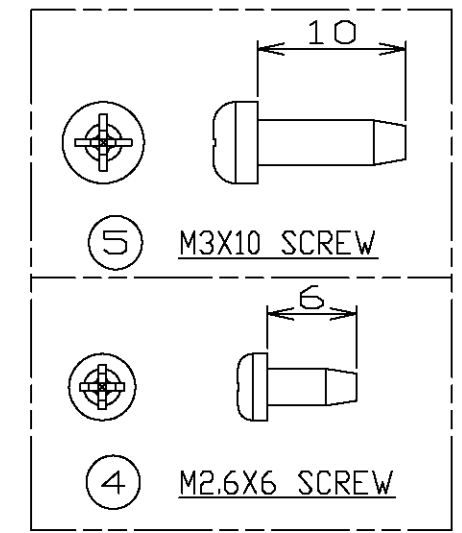
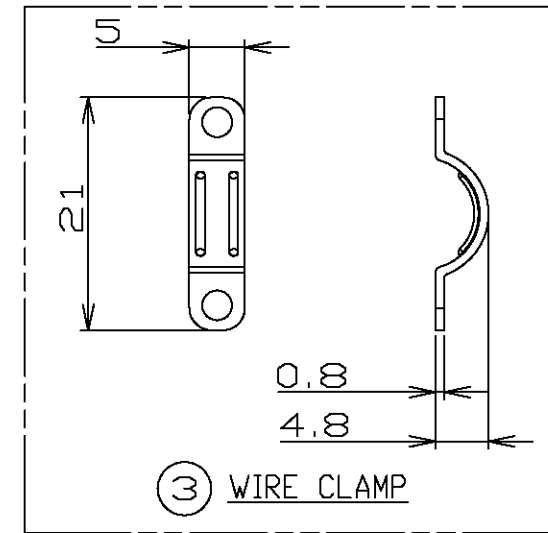
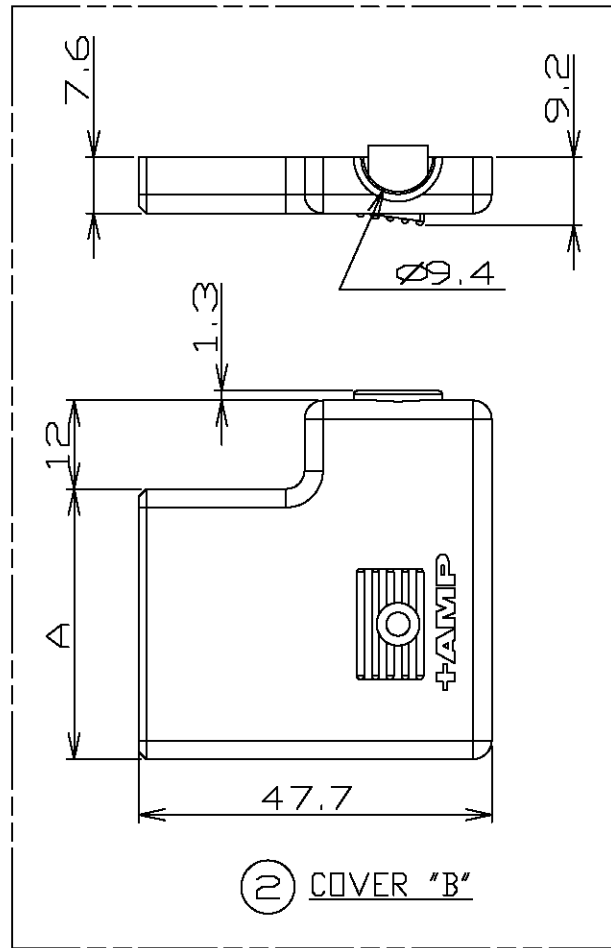
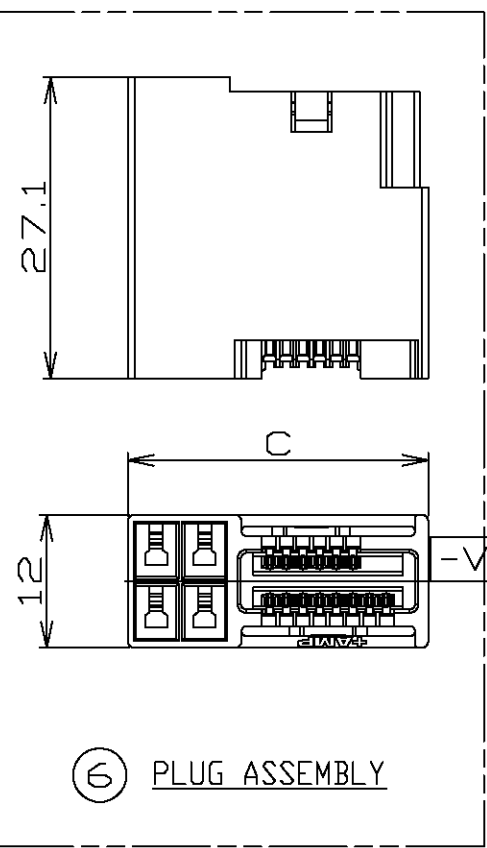
DESCRIPTION

DATE

DWN

APVD

SEE SHEET 1



C	B	A	QTY	MATERIAL & FINISH	DESCRIPTION	PART NUMBER	ITEM	KEY TYPE	PART NUMBER
33.1	—	—	1	THERMOPLASTIC, UL94V-0 COLOR: GRAY	PLUG ASSEMBLY, 22P	2-292245-2	⑥	C	6-292249-2
—	—	—	1	STEEL, ZINC PLATED	TAPTITE SCREW, P-TITE M3X10	292264-1	⑤		
—	—	—	2	STEEL, ZINC PLATED	TAPTITE SCREW, P-TITE M2.6X6	292263-1	④		
—	—	—	1	STEEL, ZINC PLATED	WIRE CLAMP	292265-1	③		
—	—	36.5	1	THERMOPLASTIC, UL94-HB COLOR: GRAY	COVER "B", 22P	2-1318656-2	②		
—	7.25	36.5	1	THERMOPLASTIC, UL94-HB COLOR: GRAY	COVER "A", 22P, KEY "C"	6-1318655-2	①		
DIMENSIONS				COMPONENTS					

THIS DRAWING IS A CONTROLLED DOCUMENT FOR TYCO ELECTRONICS CORPORATION
IT IS SUBJECT TO CHANGE AND THE CONTROLLING ENGINEERING ORGANIZATION
SHOULD BE CONTACTED FOR THE LATEST REVISION.

DIMENSIONS: mm	TOLERANCES UNLESS OTHERWISE SPECIFIED: 0 PLC ± 1 PLC ± 2 PLC ± 3 PLC ± 4 PLC ± ANGLES ±	DWN CHK APVD PRODUCT SPEC APPLICATION SPEC WEIGHT CUSTOMER DRAWING	Tyco Electronics Corporation Shanghai, P.R.China, 200233 NAME CABLE CLAMP KIT, HIGH WALL TYPE FOR AMP 1.5mm PITCH MINI CT HYBRID LATTICE CONNECTOR SIZE CAGE CODE DRAWING NO A3 00779 C- 292249 RESTRICTED TO
SEE TABLE	SEE TABLE	SCALE NON SHEET 3 OF 3 REV A	