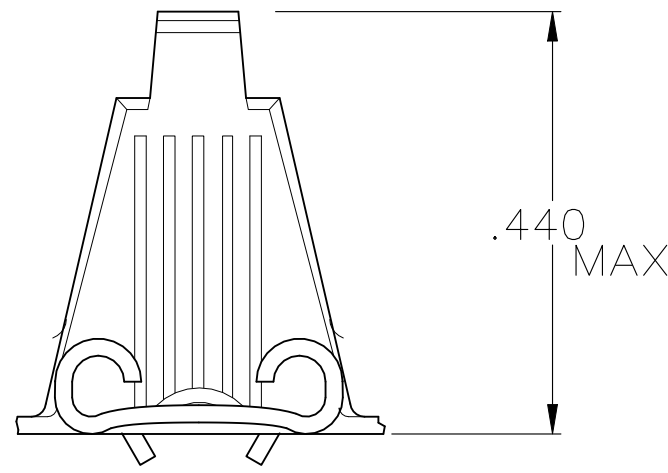
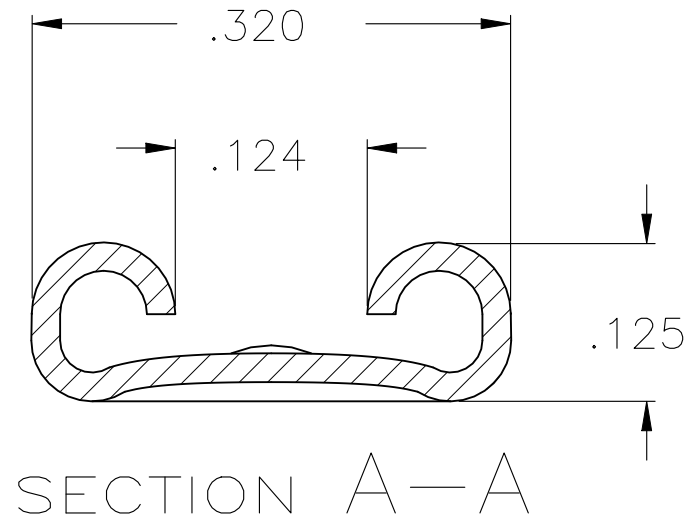
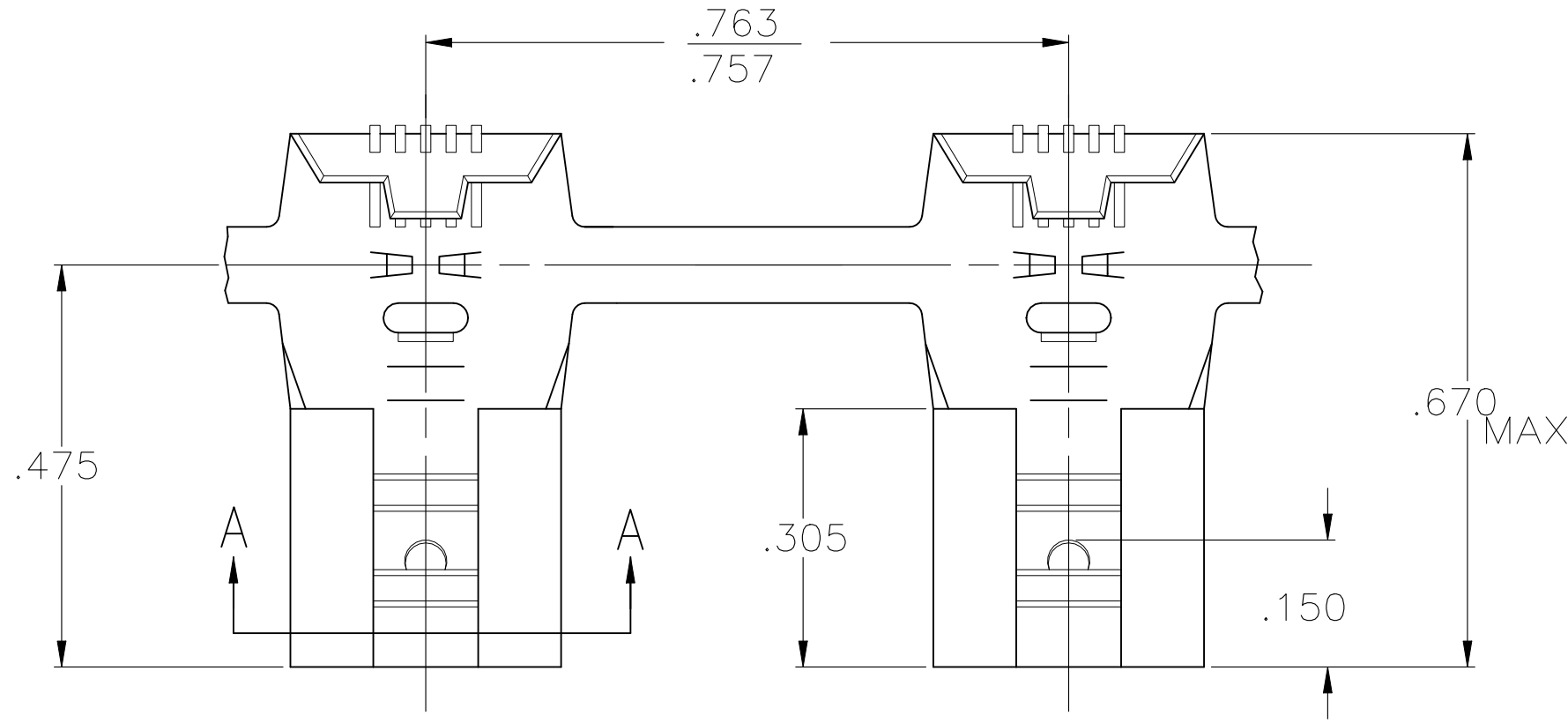


THIS DRAWING IS UNPUBLISHED. RELEASED FOR PUBLICATION  
 © COPYRIGHT - By - ALL RIGHTS RESERVED.


LOC	DIST	REVISIONS					
AF	50	P	LTR	DESCRIPTION	DATE	DWN	APVD
			Z	REVISED PER ECR-21-100525	08MAR2021	PC	DH

1 CONTINUOUS STRIP ON REELS.



OBSOLETE

REV.	REEL L.H.	12-10	.032 ±.001	TIN	.018 PHOS. BRONZE	62057-8
REV.	REEL L.H.	12-10	.032 ±.001	SILVER OVER NICKEL	.018 PHOS. BRONZE	62057-7
REV.	REEL L.H.	12-10	.032 ±.001		.018 BRASS	62057-6
		12-10	.032 ±.001	TIN	.018 PHOS. BRONZE	62057-5
REV.	REEL L.H.	12-10	.032 ±.001	TIN	BRASS	62057-4
		12-10	.032 ±.001	TIN	BRASS	62057-3
		12-10	.032 ±.001	SILVER OVER NICKEL	.018 PHOS. BRONZE	62057-1
	REELING	WIRE SIZE	TAB THK	FINISH	MATERIAL	PART NUMBER

THIS DRAWING IS A CONTROLLED DOCUMENT.		DWN	JR RUTH	2/3/86	 TE Connectivity
DIMENSIONS: INCHES		CHK	R KUZO	2/7/86	
TOLERANCES UNLESS OTHERWISE SPECIFIED:		APVD	C MEYERS	2/7/86	
0 PLC ± - 1 PLC ± - 2 PLC ± - 3 PLC ± .015 4 PLC ± - ANGLES ± -		NAME		.250 SERIES FLAG FASTON RECEPTACLE	
MATERIAL	SEE TABLE	FINISH	SEE TABLE	WEIGHT	-
		CUSTOMER DRAWING		SCALE	1:1
				SHEET	1 OF 1
				REV	Z
				DRAWING NO	A300779 C-62057
				RESTRICTED TO	-