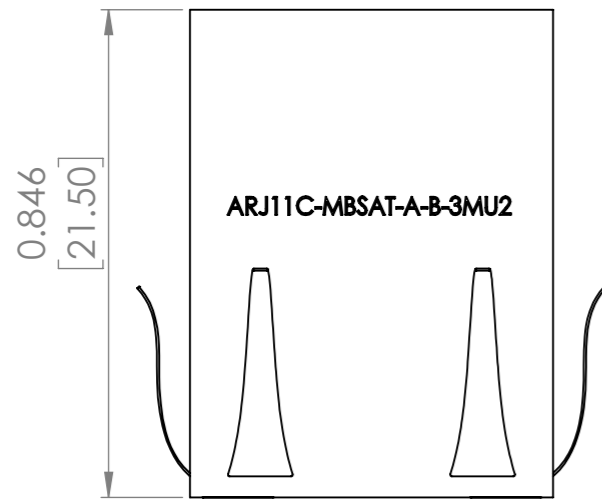
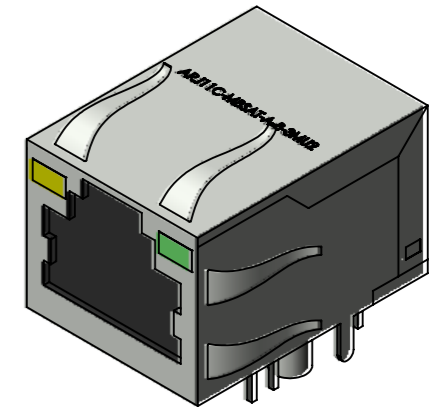
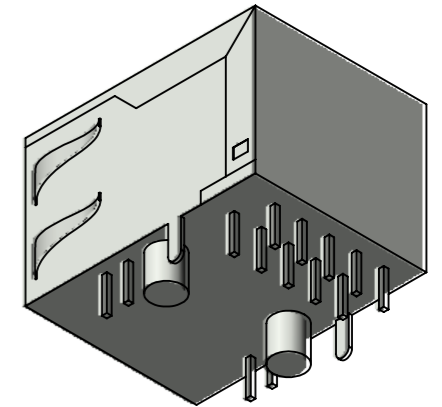
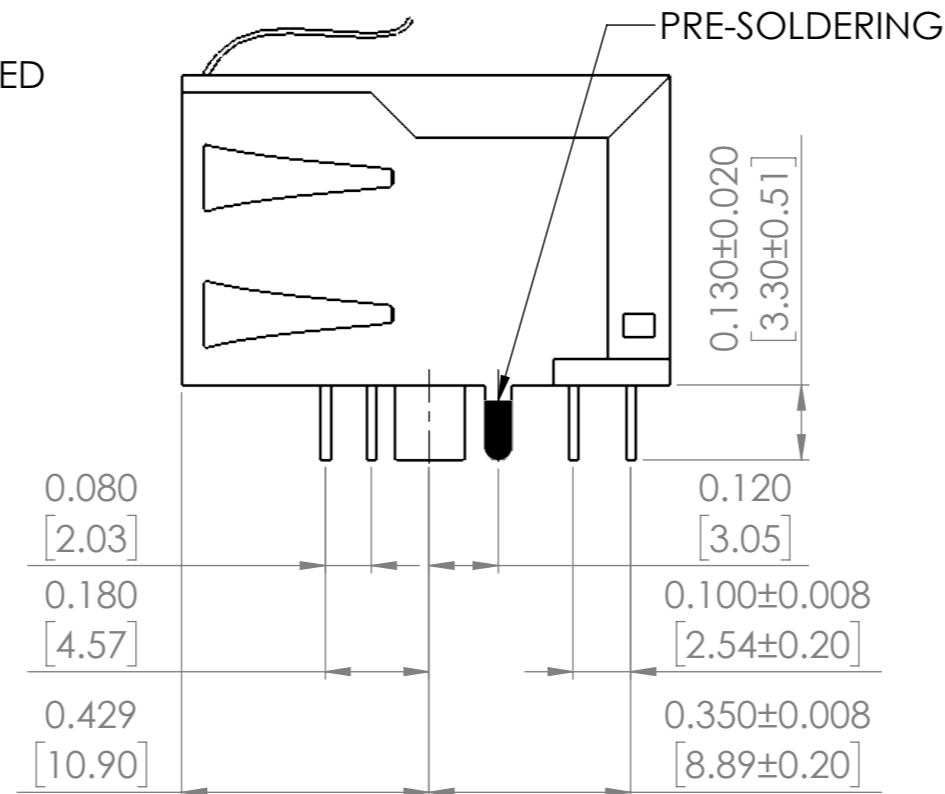
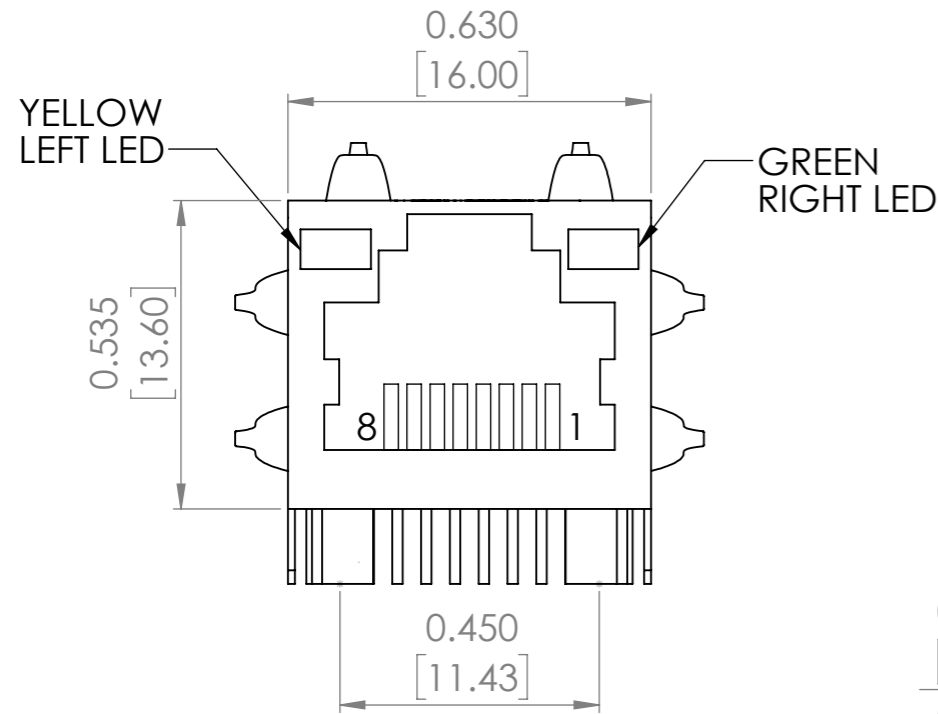
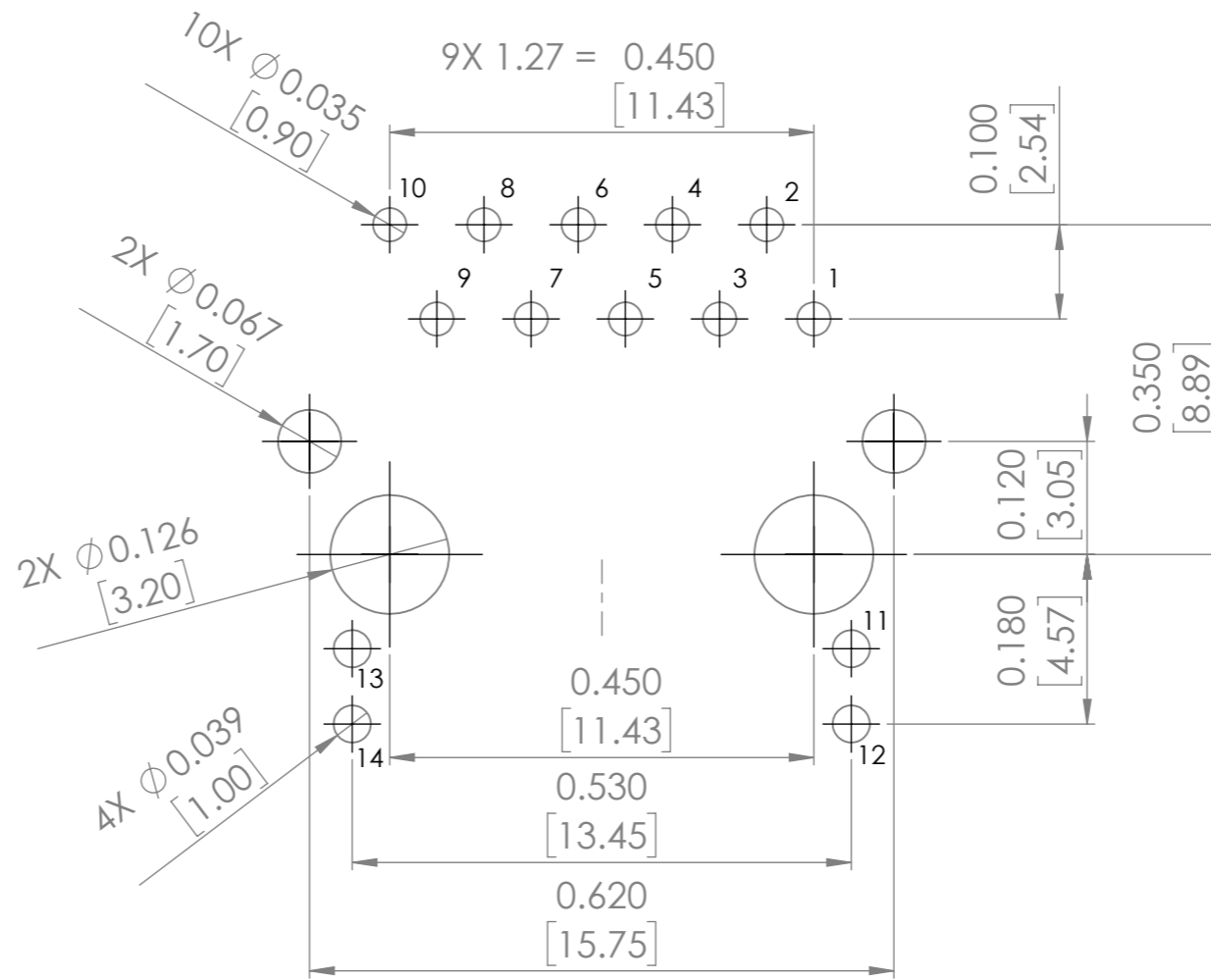



MB



**Recommended Hole Pattern  
View From Component Side**



DO NOT SCALE DRAWING		REVISION	-
 The Power of Linking Together			
5101 Hidden Creek Lane, Spicewood Texas-78669			
TITLE:		RJ45	
DWG NO.:		ARJ11C-MBSAT-A-B-3MU2	
SCALE: 2:1		A3	
SHEET 1 OF 1			