

D

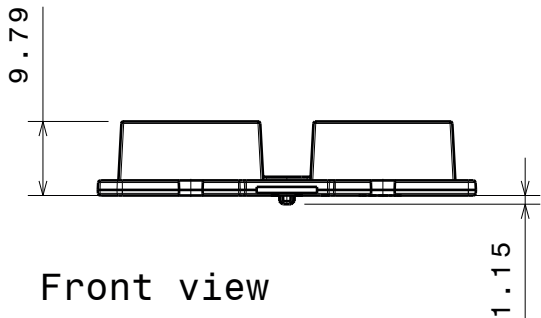
C

B

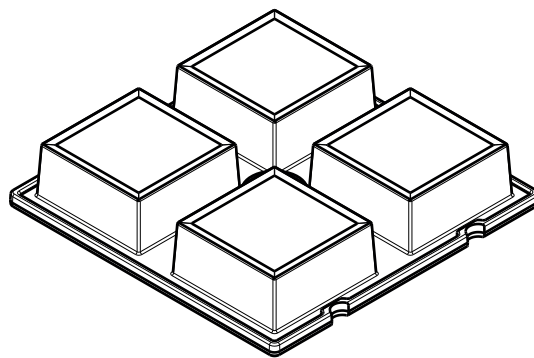
A

4

4



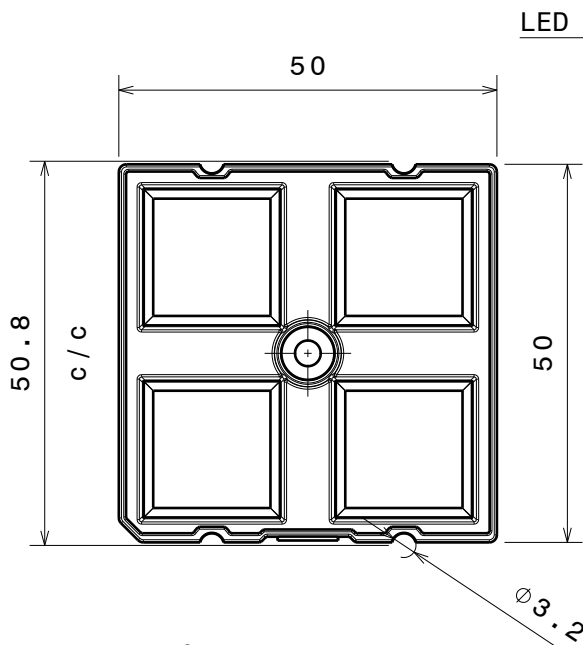
Front view



Isometric view

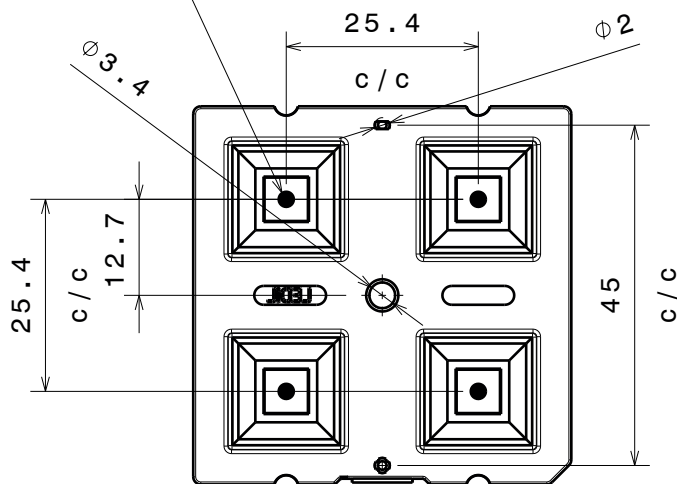
3

3



Top view

LED middle position



Bottom view

2

2

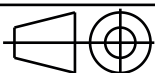
INDEX	PART NO	DESCRIPTION	MATERIAL	COLOUR
1	C14724	HB-2x2-WWW	PMMA	

Plastic moulding general tolerances according to DIN 16901-130 and applies if not otherwise shown in the drawing.  
 Silicone moulding general tolerances according to ISO 3302-1 Class M3 and applies if not otherwise shown in the drawing.



Ledil Oy  
 Salorankatu 10  
 FIN 24240 SALO  
 Finland

THIRD ANGLE PROJECTION:



DRAWING TITLE

C14724\_HB-2x2-WWW

This drawing is the property of LEDiL Oy. It may not be reproduced, copied or communicated without a written agreement with LEDiL Oy.

SIZE PART NUMBER

A4

C14724

SCALE 1:1 WEIGHT 13,66 g SHEET 1/1

1

1

D

A