

SUMMARY

Wires

Low voltage 5



Image is for illustrative purpose only

Series 00
Termination type Male solder
IP rating 50
AWG wire size 36.00 - 28.00
Cable Ø 2.80 - 3.50 mm
Status active
Matching parts [EGG.00.305.CLL](#)

Download

[Request a quote](#)

[Catalog](#)

TECHNICAL DETAILS

Mechanics

Shell Style/Model FG*: Straight plug, cable collet
Keying 1 key (alpha=0, plug: male contacts, receptacle: female contacts)
Housing Material Brass (chrome plated [SAE AMS 2460]) shell and collet nut, nickel plated [SAE AMS QQ N 290] brass latch sleeve and mid pieces
Weight 3.44 g

Performance

Configuration 00.305 : 5 Low Voltage
Insulator L: PEEK (UL 94 / V-0/1.5)
Rated Current

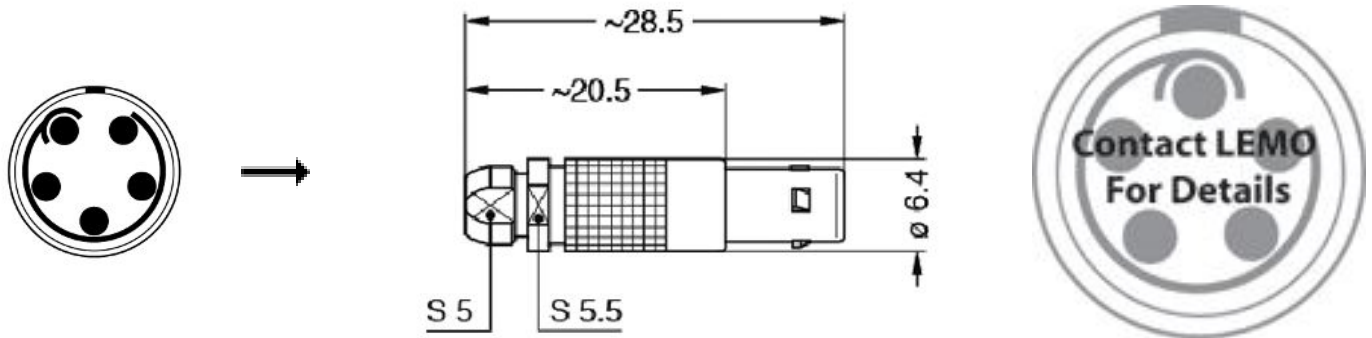
Specifications

Contact Type: Solder
Contact Dia.: 0.35 mm (0.01in)
Bucket Dia.: 0.4 mm (0.016in)
Max. Solid Conductor: 0.09 mm² (AWG 28)
Max. Stranded Conductor: 0.05 mm² (AWG 30)
R (max): 8.7 mOhm

Others

LEMO products and services are provided "as is". LEMO makes no warranties or representations with regard to LEMO product & services or use of them, express, implied or statutory, including for accuracy, completeness, or security. The user is fully responsible for his products and applications using LEMO components.

DRAWINGS



Dimensions

| | A | L | M | S1 | S2 |
|-----|------|------|------|------|------|
| mm. | 6.4 | 28.5 | 20.5 | 5.5 | 5 |
| in. | 0,25 | 1,12 | 0,81 | 0,22 | 0,20 |

RECOMMENDED BY LEMO

Tools

Caps: [BFG.00.100.PCSG](#)

LEMO products and services are provided "as is". LEMO makes no warranties or representations with regard to LEMO product & services or use of them, express, implied or statutory, including for accuracy, completeness, or security. The user is fully responsible for his products and applications using LEMO components.