

## SUMMARY



Image is for illustrative purpose only

### # Wires

Low voltage 7

|                  |                                |
|------------------|--------------------------------|
| Series           | 1M                             |
| Termination type | Male print PCB                 |
| IP rating        | 68 when mated                  |
| AWG wire size    | 30.00 - 22.00                  |
| Cable Ø          | 0.00 - 0.00 mm                 |
| Status           | active                         |
| Matching parts   | <a href="#">FMS.1M.307.XLM</a> |

### Download

- [Request a quote](#)
- [PCB Eagle Pattern](#)
- [PCB Altium Pattern](#)
- [PCB KiCad Pattern](#)
- [Catalog](#)

## TECHNICAL DETAILS

### Mechanics

|                   |   |
|-------------------|---|
| Shell Style/Model | HE*: Fixed receptacle, nut fixing for printed circuit, watertight                                       |
| Keying            | 3 keys (beta=155, gamma=50, plug: female contacts, receptacle: male contacts)                           |
| Housing Material  | Aluminium (nickel plated [SAE AMS QQ N 290], anthracite color) shell and nut, other pieces bronze/brass |
| Variant           | P : Watertight unmated  |
| Weight            | 5.32 g  |

### Performance

|               |                        |
|---------------|------------------------|
| Configuration | 1M.307 : 7 Low Voltage |
| Insulator     | L: PEEK                |
| Rated Current | 7.0 Amps               |

### Specifications

Contact Type: Print (straight)  
Contact Dia.: 0.7 mm (0.028in)  
R (max): 6.1 mOhm  
Test voltage (kV rms) Contact-contact: 1.45  
Test voltage (kV rms) Contact-shell: 1.2

LEMO products and services are provided "as is". LEMO makes no warranties or representations with regard to LEMO product & services or use of them, express, implied or statutory, including for accuracy, completeness, or security. The user is fully responsible for his products and applications using LEMO components.

## Others

Endurance (Shell): 3000 mating cycles

Temp (min / max): -20°C / +80°C

Humidity (max): 21 days at 95%

Gunfire vibration: 25 Hz - 2000 Hz, 3 axis (Apache helicopter)

Vibration-Sine: 30 g, 3 axes, 12 hr [10 Hz - 2000 Hz]

Vibration-Random: 37.8 g rms - 3 axes, 4 hr amb [50 Hz - 2000 Hz]

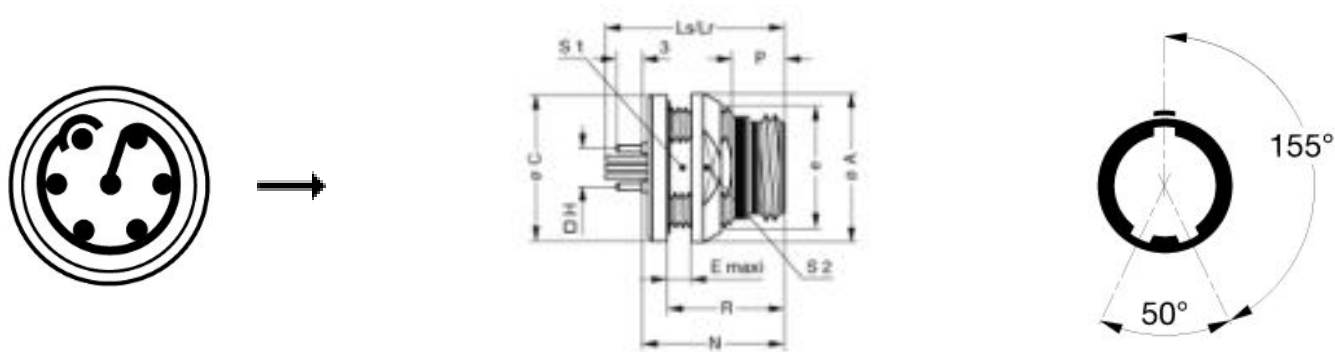
Shock Resistance: 300 g [ 3 ms]

Lighting strike EIA 364-75: 10K amps - 6 times

EMI Shielding EIA 364-66A: >= 80 dB (1 GHz), >=70 dB (3 GHz), >= 58 dB (6 GHz), >= 40 dB (10 GHz)

Salt Spray Corrosion: max. 48 hr

## DRAWINGS



## Dimensions

|     | A    | C    | E    | H    | Lr   | Ls   | N    | P    | R    | S1   | S2   | e        |
|-----|------|------|------|------|------|------|------|------|------|------|------|----------|
| mm. | 18   | 17.8 | 5    | 7.62 | 21   | 20.8 | 16.8 | 5.3  | 13.8 | 12.5 | 16   | M14x1.00 |
| in. | 0,71 | 0,70 | 0,20 | 0,30 | 0,83 | 0,82 | 0,66 | 0,21 | 0,54 | 0,49 | 0,63 |          |

## RECOMMENDED BY LEMO

### Tools

Spanner wrench: [Socket for torque wrench DCM.65.160.AZ](#)

*LEMO products and services are provided "as is". LEMO makes no warranties or representations with regard to LEMO product & services or use of them, express, implied or statutory, including for accuracy, completeness, or security. The user is fully responsible for his products and applications using LEMO components.*

*LEMO products and services are provided "as is". LEMO makes no warranties or representations with regard to LEMO product & services or use of them, express, implied or statutory, including for accuracy, completeness, or security. The user is fully responsible for his products and applications using LEMO components.*