

POLE	2	3	4	5	6
A	7.80	11.30	14.80	18.30	21.80
B	3.50	7.00	10.50	14.00	17.50
Tol.	±0.10				

SIGN	DATE	DESCRIPTION	APPROVER
△	09/05/25	wire strip length changed from 6-7mm to 8-9mm	Eris
△	09/05/25	Withstanding Voltage changed from 1.3KV to 1.6KV	Eris
△	09/05/25	temperature changed from -33°C-105°C to -40°C-115°C	Eris
△	09/05/25	Add Safety Approval	Eris

THIS IS CAD DRAWING, DO NOT REVISE MANUALLY!!!

Material:

- Item ① Terminal lever: Thermoplastic (UL94V-0)
- Item ② Terminal up housing: Thermoplastic (UL94V-0)
- Item ③ Wire guard: Stainless steel
- Item ④ Contact pin: PhBz.(CuSn) , Tin plated.
- Item ⑤ Terminal down housing: Thermoplastic (UL94V-0)

Electrical: cULus

- Voltage rating: 300 V
- Current rating: 8 A
- Wire range:
 - Solid wire(AWG): 16-28
 - Stranded wire(AWG): 16-28
- △● Wire strip length: 8-9 mm
- △● Withstanding Voltage: 1.6 KV
- △● Operating temperature: -40°C to +115°C
- △● Safety Approval:

HW xx 1 0 x 0 xxxx G

No. OF POLES
02: 2 POLES
:
:
06: 6 POLES

COLOR
0: BLACK
5: GREEN (RAL 6018/T)
6: BLUE
8: GREY (RAL 7004/P)

G: Pb<40000ppm
0000: "@ Logo (Standard)
000A: "ANYTEK" Mark
Any special item by customer request.
please contact sales department.

ANYTEK

CUSTOMER COPY

ALL RIGHTS RESERVED. REPRODUCTION OR ISSUE TO THIRD PARTIES IN ANY FORM WHATSOEVER IS NOT PERMITTED WITHOUT WRITTEN AUTHORITY FROM THE PROPRIETOR. PROPERTY OF ANYTEK TECHNOLOGY CO., LTD

TITLE				HW 3.5mm W/O Flange Series (2P-6P)		
PART NO.		HWxx10x0xxxxG		DWG NO.		8HW0404
APPROVED	CHECKED	DESIGNED	DRAWN	CUST NO.		Tolerance
		Kind	Eris			X. ±0.50
		2010.01.07	2009.05.25			UNIT: mm
				SHEET: 01/01		X.XX ±0.10
				REV.: C		X° ±1°


SIGN	DATE	DESCRIPTION	APPROVER
△	09/05/25	wire strip length changed from 6-7mm to 8-9mm	Eris
△	09/05/25	Withstanding Voltage changed from 1.3KV to 1.6KV	Eris
△	09/05/25	temperature changed from -33°C-105°C to -40°C-115°C	Eris
△	09/05/25	Add Safety Approval	Eris

THIS IS CAD DRAWING, DO NOT REVISE MANUALLY!!!

Material:

- Item ① Terminal lever: Thermoplastic (UL94V-0)
- Item ② Terminal up housing: Thermoplastic (UL94V-0)
- Item ③ Wire guard: Stainless steel
- Item ④ Terminal Body(contact pin): PhBz. (CuSn) , Tin plated.
- Item ⑤ Terminal down housing: Thermoplastic (UL94V-0)

Electrical: cULus

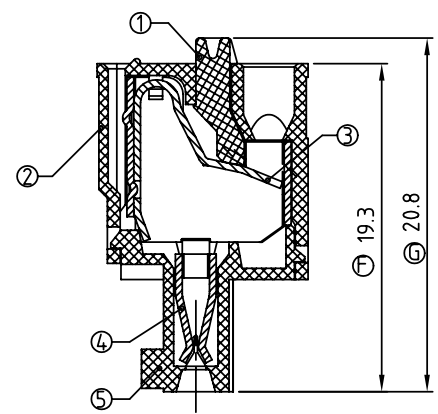
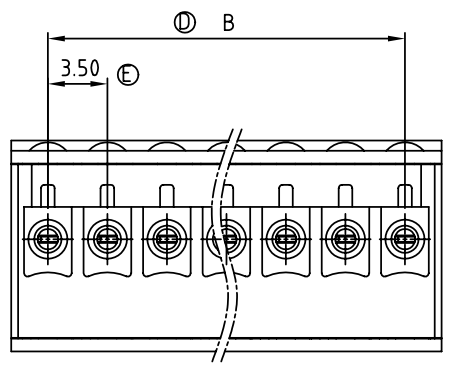
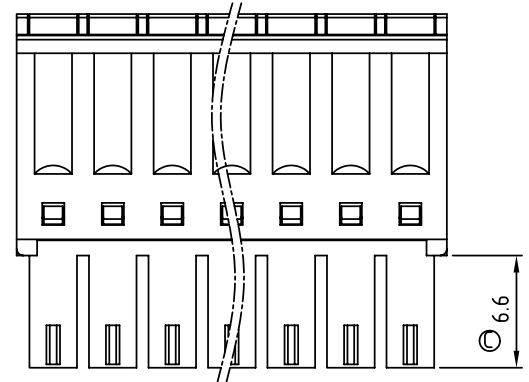
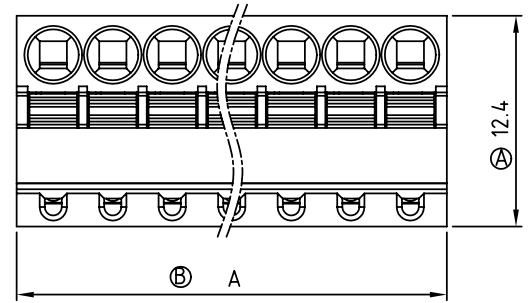
- Voltage rating: 300 V
- Current rating: 8 A
- Wire range:
 - Solid wire(AWG): 16-28
 - Stranded wire(AWG): 16-28
- △● Wire strip length: 8-9 mm
- △● Withstanding Voltage: 1.6 KV
- △● Operating temperature: -40°C to +115°C
- △● Safety Approval: 

HW xx 1 0 x 0 xxxx G

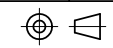
No. OF POLES
07: 7 POLES
:
24: 24 POLES

COLOR
0: BLACK
5: GREEN (RAL 6018/T)
6: BLUE
8: GREY (RAL 7004/P)

G: Pb<40000ppm
0000: "@ Logo (Standard)
000A: "ANYTEK" Mark
Any special item by customer request. please contact sales department.



POLE		2	3	4	5	6	7	8	9	10	11	12
A		/	/	/	/	/	25.30	28.80	32.30	35.80	39.30	42.80
B		/	/	/	/	/	21.00	24.50	28.00	31.50	35.00	38.50
Tol.		±0.15										
POLE	13	14	15	16	17	18	19	20	21	22	23	24
A	46.30	49.80	53.30	56.80	60.30	63.80	67.30	70.80	74.30	77.80	81.30	84.80
B	42.00	45.50	49.00	52.50	56.00	59.50	63.00	66.50	70.00	73.50	77.00	80.50
Tol.	±0.20						±0.30					

ANYTEK				CUSTOMER COPY			
ALL RIGHTS RESERVED. REPRODUCTION OR ISSUE TO THIRD PARTIES IN ANY FORM WHATSOEVER IS NOT PERMITTED WITHOUT WRITTEN AUTHORITY FROM THE PROPRIETOR. PROPERTY OF ANYTEK TECHNOLOGY CO., LTD							
TITLE		HW 3.5mm W/O Flange Series (7P-24P)					
PART NO.		HWxx10x0xxxxG			DWG NO.		8HW0402
APPROVED		CHECKED	DESIGNED	DRAWN	CUST NO.		Tolerance
							X. ±0.50
							X.X ±0.30
							X.XX ±0.10
							X° ±1°
		Kind	Eris			UNIT: mm	
		2010.01.07	2009.05.25	SHEET: 01/01		SCALE: NONE	
				REV.: C			