

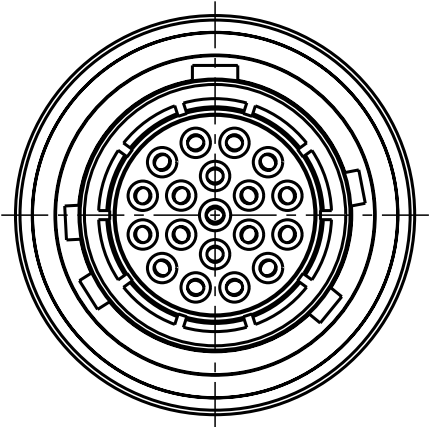
Für diese Unterlage behalten wir uns alle Rechte vor, auch für den Fall der Patentverletzung oder Gebrauchsmusterinfraktion. Sie darf ohne unsere vorherige schriftliche Zustimmung weder vervielfältigt noch sonstwie benutzt, nach Dritten zugänglich gemacht werden.

Nur rot gestempelte oder auf Laufkarte gedruckte Dokumente unterliegen dem Änderungsdienst und sind zur Fertigung freigegeben. Only red stamped or on jobcard printed documents are managed. These documents are approved for production.

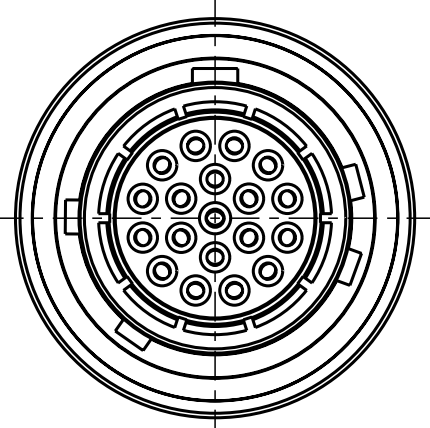
All rights reserved, including possible patents or trademarks. Documents shall not be provided to a third party or duplicated in any form without prior written permission.

CAD: Pro/ENGINEER

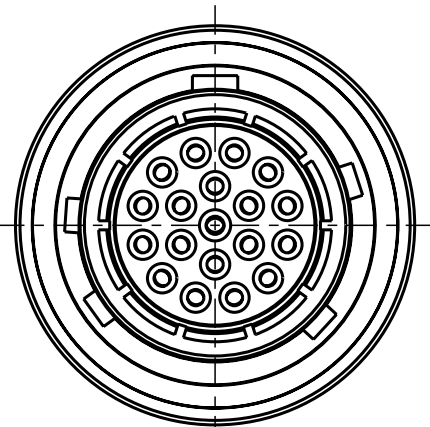
Additional coding  
View in direction B



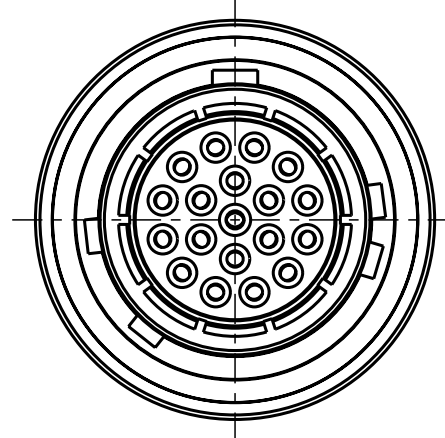
K12YBR-P19WFG0-0000  
Mechanical coding: B  
Color coding: red



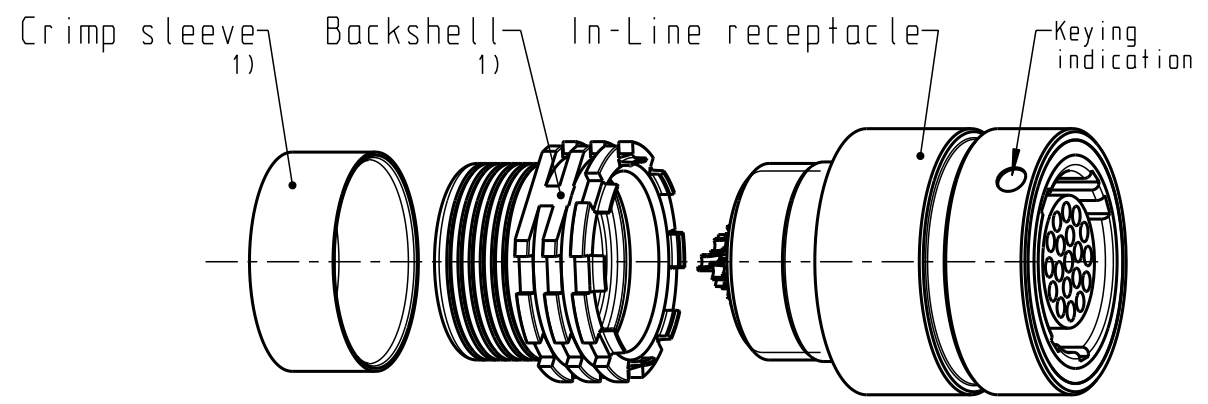
K12YCR-P19WFG0-0000  
Mechanical coding: C  
Color coding: blue



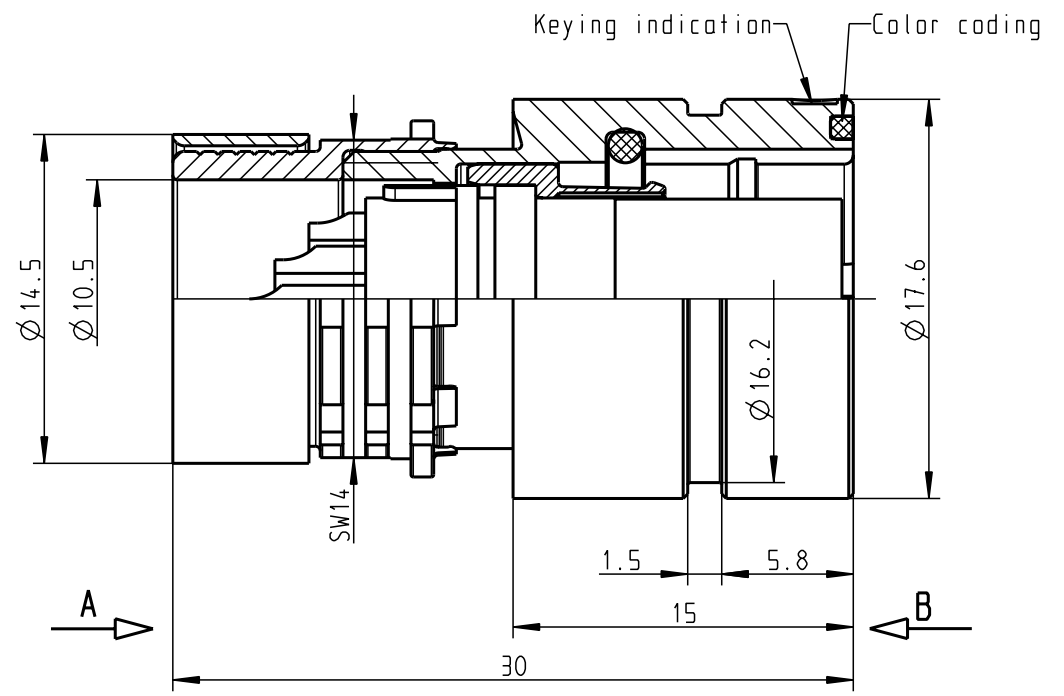
K12YDR-P19WFG0-0000  
Mechanical coding: D  
Color coding: green



K12YAR-P19WFG0-0000  
Mechanical coding: A  
Color coding: light brown



Delivery condition  
2:1



Technical information

- Max. cable Ø10.0mm (Based on cable with one braided shield)
- Solder contacts: AWG22
- Current load: 7A@±40° (Single contact)  
3,15A@±40° (Insert)
- Test voltage: 1000V (acc. SAE AS 13441:1998, Contact to contact)
- Rated voltage: 333V (acc. SAE AS 13441:1998) 2)

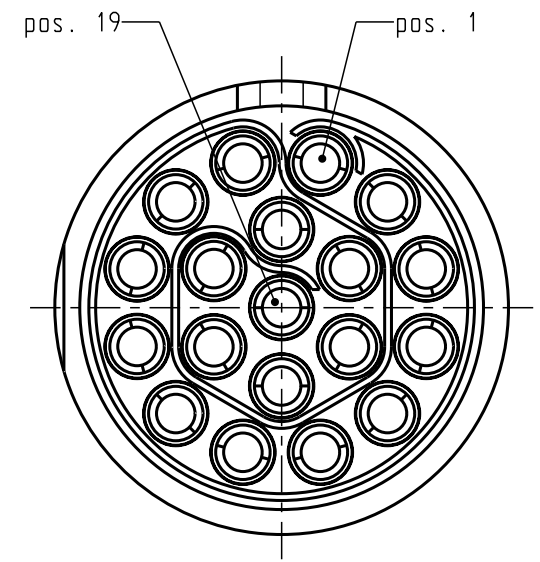
- For more technical information and accessories see catalogue ([www.odu.de/amc](http://www.odu.de/amc))

1) For crimp information, torque, etc. see assembly instruction 010.645.001.000.003 ([www.odu.de/amc/assembly](http://www.odu.de/amc/assembly))

2) Maximal operating voltage at sea level up to 2.000m. Rated voltage applies no other electrical safety standard. In case other standards rule a specific use of the connector, the application specific safety criteria shall be considered first. This must be evaluated in the frame of equipment engineering.

All shown connectors are according to DIN EN 61984:2009 connectors without breaking capacity (COC)!

Only insert  
View in direction A  
6:1



				General tolerances to DIN ISO 2768-mK		PE-modell-nr.:	
				Toleration to DIN ISO 8015		CAD-nr.: 00056549	
				2014	date	name	
				prep.	30.01.	M. Meier	
				app.		designation:	
				norm.		In-Line Receptacle AMC Standard Version	
						drawing nr.:	
						K12Y.R-P19WFG0-0000	
index				notice		replacement for:	
date				name		copy	
						nr.	
						scale: 3:1	