

# Inductive sensor

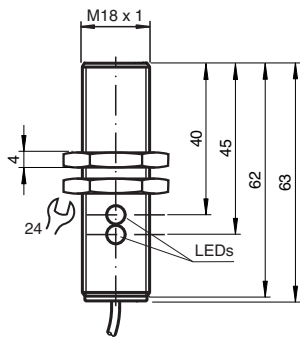
## NBB8-18GM60-US



- 8 mm flush
- 2-wire AC/DC



### Dimensions



### Technical Data

#### General specifications

Switching function		Normally open (NO)
Output type		Two-wire
Rated operating distance	$s_n$	8 mm
Installation		flush
Output polarity		AC/DC
Reduction factor $r_{AI}$		0.45
Reduction factor $r_{Cu}$		0.4
Reduction factor $r_{304}$		0.7
Output type		2-wire

#### Nominal ratings

Operating voltage	$U_B$	20 ... 250 V AC/20 ... 300 V DC
Switching frequency	$f$	30 Hz
Hysteresis	$H$	3 ... 15 typ. 5 %

Release date: 2020-12-10 Date of issue: 2020-12-10 Filename: 198076\_eng.pdf

Refer to "General Notes Relating to Pepperl+Fuchs Product Information".

Pepperl+Fuchs Group  
www.pepperl-fuchs.com

USA: +1 330 486 0001  
fa-info@us.pepperl-fuchs.com

Germany: +49 621 776 1111  
fa-info@de.pepperl-fuchs.com

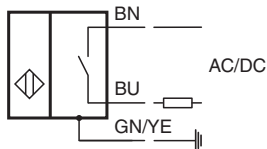
Singapore: +65 6779 9091  
fa-info@sg.pepperl-fuchs.com

**PF** PEPPERL+FUCHS


## Technical Data

Reverse polarity protection		reverse polarity tolerant
Short-circuit protection		yes
Voltage drop	$U_d$	$\leq 8$ V
Operating current	$I_L$	4 ... 300 mA AC/DC
Off-state current	$I_r$	$\leq 0.8$ mA
Operating voltage indicator		LED, green
Switching state indicator		LED, yellow
<b>Compliance with standards and directives</b>		
Standard conformity		
Standards		EN 60947-5-2:2007 EN 60947-5-2/A1:2012 IEC 60947-5-2:2007 IEC 60947-5-2 AMD 1:2012
<b>Approvals and certificates</b>		
UL approval		cULus Listed, General Purpose
CSA approval		cCSAus Listed, General Purpose
CCC approval		Certified by China Compulsory Certification (CCC)
<b>Ambient conditions</b>		
Ambient temperature		-25 ... 70 °C (-13 ... 158 °F)
Storage temperature		-40 ... 85 °C (-40 ... 185 °F)
<b>Mechanical specifications</b>		
Connection type		cable PUR , 2 m
Core cross-section		0.5 mm <sup>2</sup>
Housing material		brass, nickel-plated
Sensing face		PBT
Degree of protection		IP67

## Connection



## Accessories

	<b>EXG-18</b>	Quick mounting bracket with dead stop
---	---------------	---------------------------------------