

**SPECIFICATION**

**1.General Characteristics**  
 T-Flash Connector 08 Pin SMT 90°  
 Standoff=0 Normal Push Push Type  
 Selective Gold Flash Tape & Reel 1K/Reel

**2.Material&Finish**  
 Insulator:LCP(UL94V-0),Black  
 Contact:Phosphor Bronze,  
 Gold Flash On Contact Area,Tin  
 Plated On Solder Tails,Over Nickel  
 Shell:Stainless,Gold Flash On Solder Area,  
 Over Nickel Plated

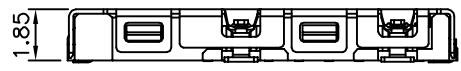
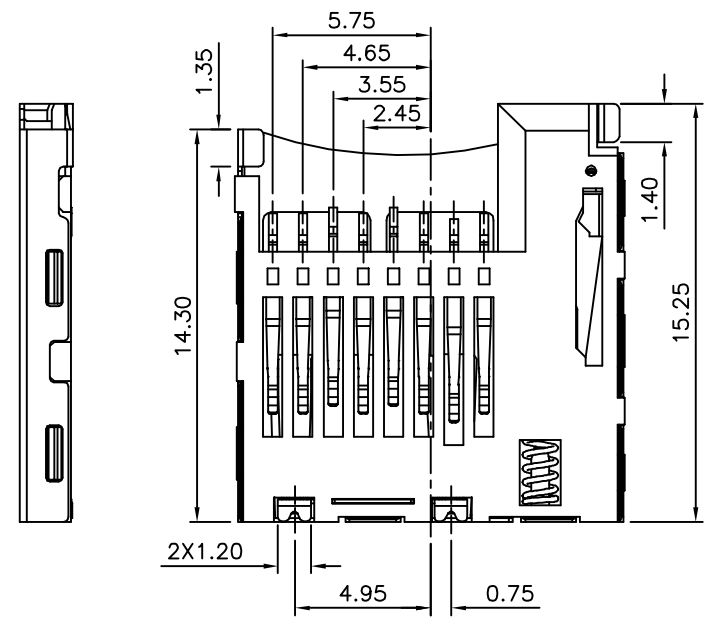
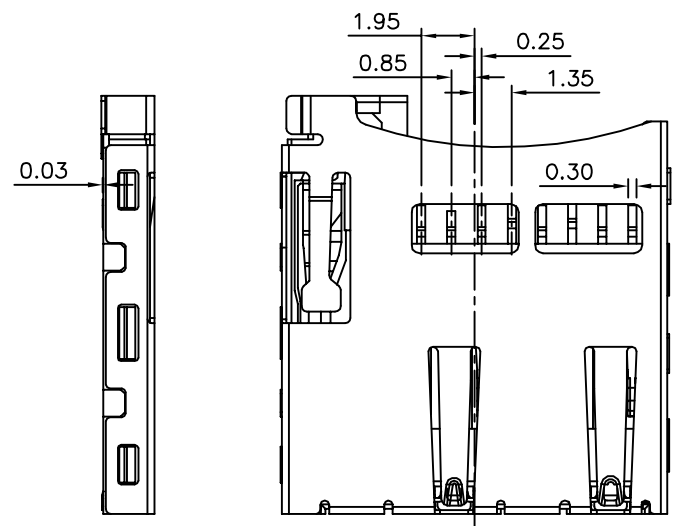
Spring:SWP-B  
 Hook:Stainless

**3.Electrical Characteristics**  
 Current Rating:0.5A Max.  
 Contact Resistance:100 Milliohms Max.  
 Insulation Resistance:250V DC Or 300V AC  
 For No Less Than 1 Minute,  
 1000 Megaohms Min.  
 Withstanding Voltage:500V AC For 1 Minute

**4.Mechanical Characteristics**  
 Mating Cycles:10000 Cycles  
 Insertion Force:2.0 Kgf Max.  
 Extraction Force:0.5 Kgf Min.

**5.Environmental Characteristics**  
 Operating Temperature:-25°C~+85°C

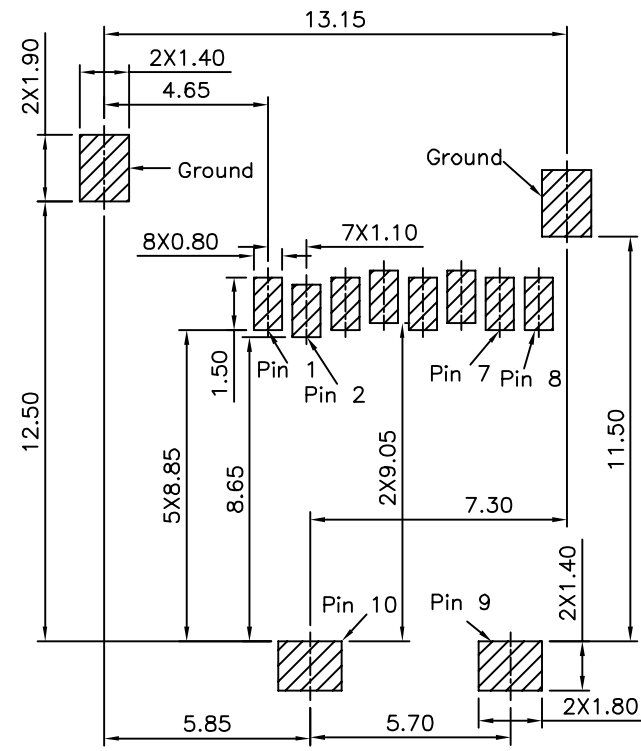
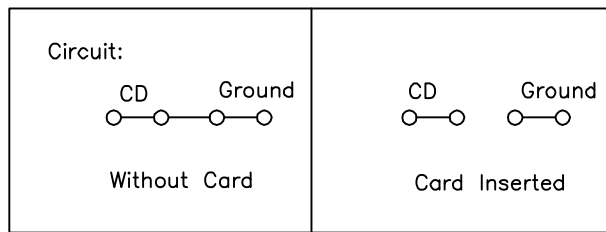
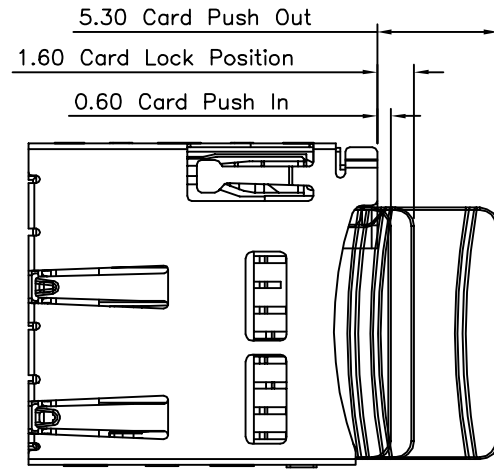
**6.RoHS Compliant**



**4UCON** 元化興業股份有限公司  
 4UCON TECHNOLOGY INC.

DRAWING No.		APPROVED BY		UNLESS OTHERWISE SPECIFIED TOLERANCES ARE
15882		MEI		
		CHECKED BY HZF		
SCALE		DRAWING BY		X. ±0.50 X.* ±5* .X ±0.25 .X* ±2* .XX ±0.15 .XX* ±1*
NONE		SONG		
REV.	A1	UNIT	mm	

NO.	REV.	REVISIONS	CHK	DATE
△A1		Modify Data	HZF	08/22/2012
△A0		NEW RELEASE	HZF	01/19/2012



Recommended P.C.B. Layout  
(PCB Board Tolerance±0.05)

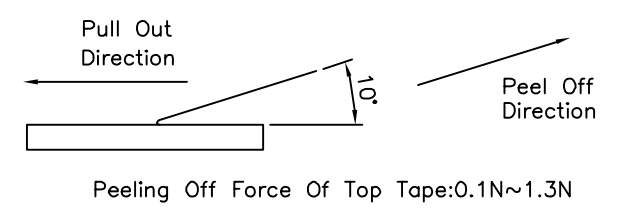
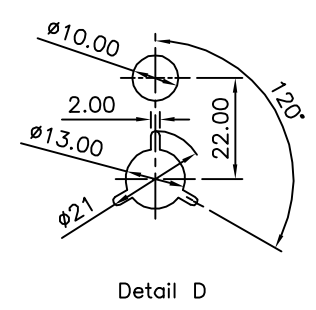
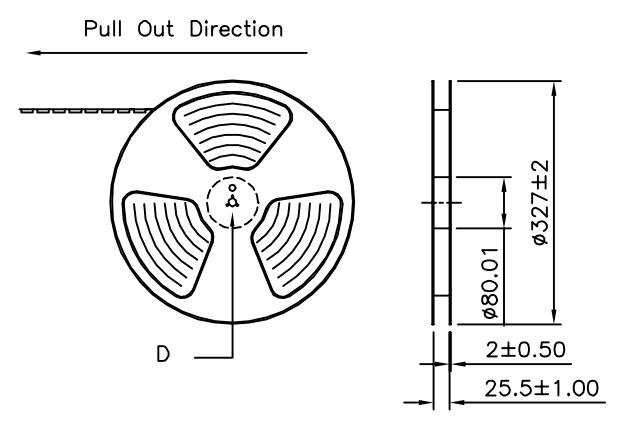
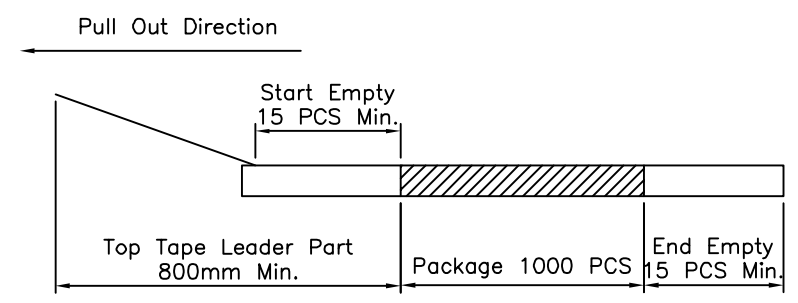
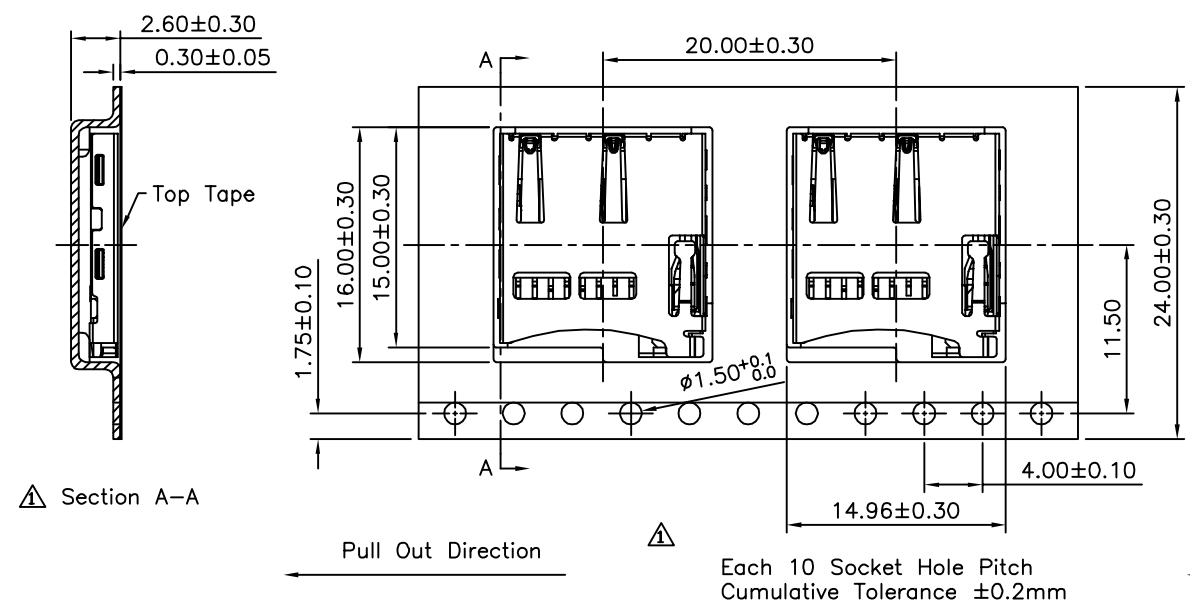
Pin No.	Micro SD
Pin 1	DAT2 1P
Pin 2	CD/DAT3 2P
Pin 3	CMD 3P
Pin 4	VDD 4P
Pin 5	CLK 5P
Pin 6	VSS 6P
Pin 7	DAT0 7P
Pin 8	DAT1 8P
Pin 9	Card Detect
Pin 10	

**4UCON** 元化興業股份有限公司  
4UCON TECHNOLOGY INC.

DRAWING No.		APPROVED BY		UNLESS OTHERWISE SPECIFIED TOLERANCES ARE X. ±0.50 X.* ±5* .X ±0.25 .X* ±2* .XX ±0.15 .XX* ±1*
15882		MEI		
		CHECKED BY		
		HZF		
		DRAWING BY		UNIT mm
		SONG		
SCALE	NONE	REV.	A1	

NO.	REV.	REVISIONS	CHK	DATE
△A1		Modify Data	HZF	08/22/2012
△A0		NEW RELEASE	HZF	01/19/2012

**SPECIFICATION**  
 Carrier Tape:PS  
 Top Tape:PS  
 Reel:PS  
 Q'ty:1000 PCS/Reel  
 RoHS Compliant



**4UCON** 元化興業股份有限公司  
 4UCON TECHNOLOGY INC.

DRAWING No.		APPROVED BY		UNLESS OTHERWISE SPECIFIED TOLERANCES ARE X. ±0.20 X.* ±5* .X ±0.15 .X* ±2* .XX ±0.08 .XX* ±1* .XXX ±0.05 .XXX* ±0.5*
15882		MEI		
		CHECKED BY		
		HZF		
		DRAWING BY		UNIT mm
		SONG		
SCALE	NONE	REV.	A1	

NO.	REV.	REVISIONS	CHK	DATE
△A1		Modify Data	HZF	08/22/2012
△A0		NEW RELEASE	HZF	01/19/2012