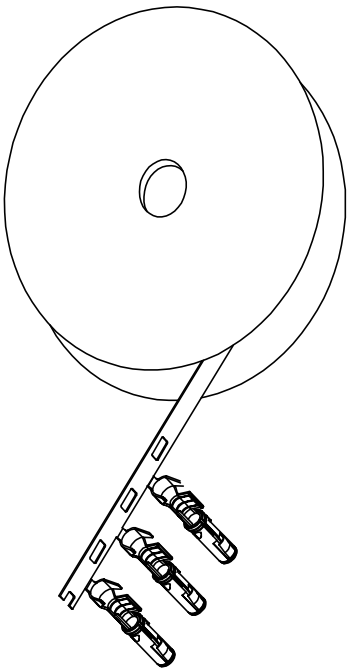


REVISIONS					
REV	ECO	DESCRIPTION	DATE	BY	APPR
A1	-	RELEASED DRAWING	Sep-7-2016	Ben	Tommy
A2	-	Updating Drawing	Sep-14-2016	Flan	Tommy

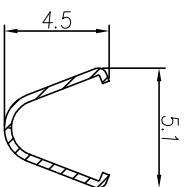


CONTACT ORIENTATION ON ROLL

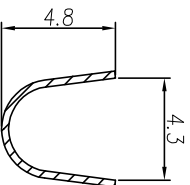
NOTES : (UNLESS OTHERWISE SPECIFIED)

1. MATERIAL :
  - 1.1. CONTACT BODY : COPPER ALLOY.
  - 1.2. OUTER SPRING : STAINLESS STEEL.
2. SPECIFICATIONS :
  - 2.1 CURRENT RATING : 23A MAX.
  - 2.2 TERMINATION TYPE : CRIMPING.
  - 2.3 WIRE RANGE : 4mm<sup>2</sup>.
  - 2.4 WIRE INSULATION DIA(MAX) :  $\phi$ 4.3mm.
3. ROHS COMPLIANT.
4. ALL DIMENSIONS ARE FOR REFERENCE USE ONLY.

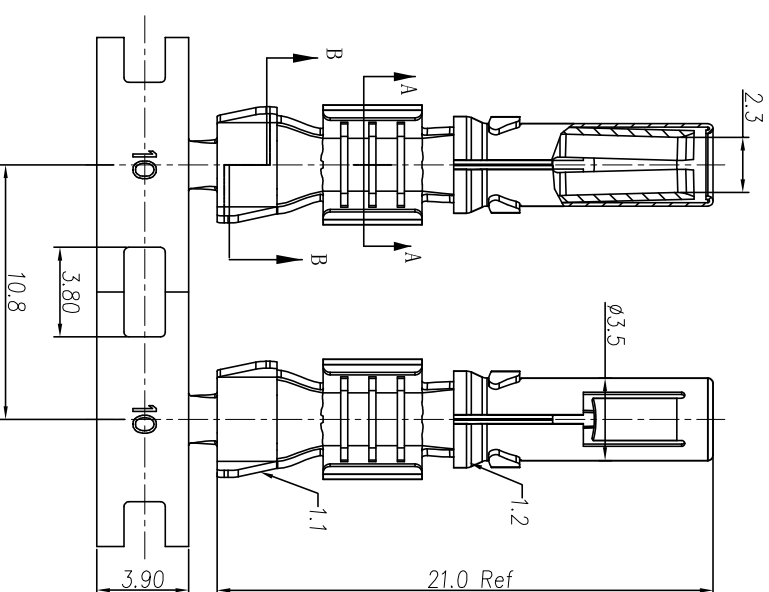
P/N	CONTACT PLATING(MATING AREA)
SS12A1T-10	TIN PLATING OVER NICKEL.
SS12A1F-10	GOLD FLASH PLATING OVER NICKEL.
SS12A1G10-10	10 $\mu$ " GOLD PLATING OVER NICKEL.
SS12A1G15-10	15 $\mu$ " GOLD PLATING OVER NICKEL.
SS12A1G30-10	30 $\mu$ " GOLD PLATING OVER NICKEL.



SECTION A-A



SECTION B-B



QUANTITY	PART NUMBER	DESCRIPTION	ITEM
<b>MATERIALS LIST</b>			

SIGNATURES	DATE
DESIGNER: Ben	00T-16-17
CHECKER: Tod	00T-16-17
ENGINEER: Tommy	00T-16-17
APPROVAL: Tommy	00T-16-17

UNLESS OTHERWISE SPECIFIED 1) All dimensions are in millimeters. 2) Tolerances are as follows: 1 PL, DEC & 30 Fractions, ±1/64 3 PL, DEC & 108 Angles ±1° 3) Note reference = $\triangle$	CUSTOMER: Sine Systems	ECO-MATE SOCKET CONTACT. STAMPED, 4.0mm <sup>2</sup> , 2.5mm CONTACT
PROCESS SPECIFICATIONS:	TEST SPECIMENS SUBJECT TO: 1) DIMENSIONAL VARIATIONS. 2) MECHANICAL VARIATIONS. 3) MATERIAL CORROSION. 4) REPRODUCTION ERRORS. 5) MANUFACTURING VARIATIONS.	SIZE: B TYPE: C- DWG NO: SS12A1XX-10
MATERIAL SPECIFICATIONS:	SCALE: NONE	REVISION: A2
TEST ASST:		SHEET 1 OF 1

**Amphenol**

Sine Systems - [www.amphenol-sine.com](http://www.amphenol-sine.com)  
44724 Morley Drive  
Clinton Township, MI 48036

ECO-MATE SOCKET CONTACT.  
STAMPED, 4.0mm<sup>2</sup>, 2.5mm CONTACT

SIZE: B  
TYPE: C-  
DWG NO: SS12A1XX-10  
REVISION: A2  
SHEET 1 OF 1

TITLE: ECO-MATE SOCKET CONTACT, STAMPED, 4.0mm<sup>2</sup>, 2.5mm

DWG NO: SS12A1XX-10

REV: A2

SH: 1

OF: 1