

AC axial fans

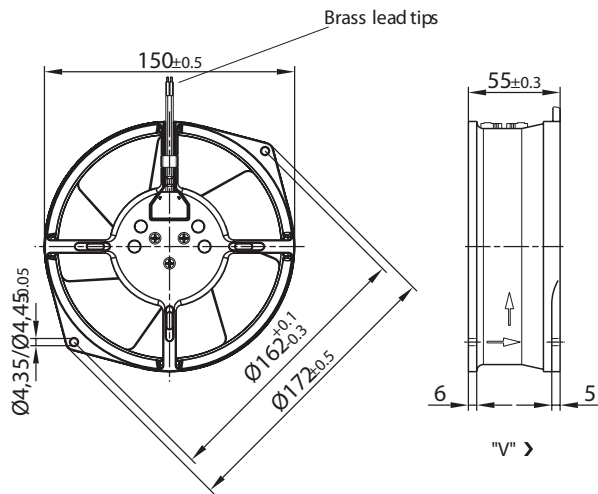
Ø 130



- Material:
 - Wall ring: Die-cast aluminium, coated in black
 - Blades: Sheet steel, coated in black
 - Rotor: Open, coated in black
- Number of blades: 7
- Direction of air flow: "V", exhaust over struts
- Direction of rotation: Counter-clockwise, seen on rotor
- Type of protection: IP 20
- Insulation class: "B"
- Mounting position: Any
- Condensate discharges: None
- Mode of operation: Continuous operation (S1)
- Bearings: Maintenance-free ball bearings
- Motor protection: TOP wired internally
- Electrical connection:
 - Cable length 330 mm, beginning at wall ring
- Protection class: I
- Product conforming to standards: EN 60335-1, CE
- Approvals: VDE, UL, CSA, CCC, GOST

Nominal data		Curve	Nominal voltage	Frequency	Air flow	Speed/rpm	Power input	Current draw	Capacitor	Sound pressure level	Max. operative range	Perm. amb. temp.	Mass	Electr. connection
Type	Motor		VAC	Hz	m ³ /h	rpm	W	A	µF/VDB	dB(A)	Pa	°C	kg	p. 416 f.
W2S 130-AA25 -01	M2S 052-CA	Ⓐ	1~ 115	50	325	2800	41	—	—	49	80	-25 to +6	1.1	B)
			1~ 115	60	380	3250	38	—	—	53	120	-25 to +8		
W2S 130-AA03 -01	M2S 052-CA	Ⓐ	1~ 230	50	325	2800	45	—	—	49	80	-25 to +5	1.1	B)
			1~ 230	60	380	3250	39	—	—	53	120	-25 to +7		

subject to alterations. Note: W2S130-AA03-87 is the same fan as the W2S130-AA03-01, with the only difference of a -87 tach output.



Curves

