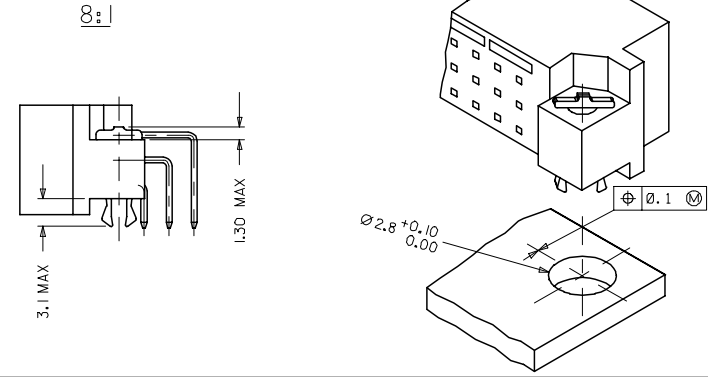
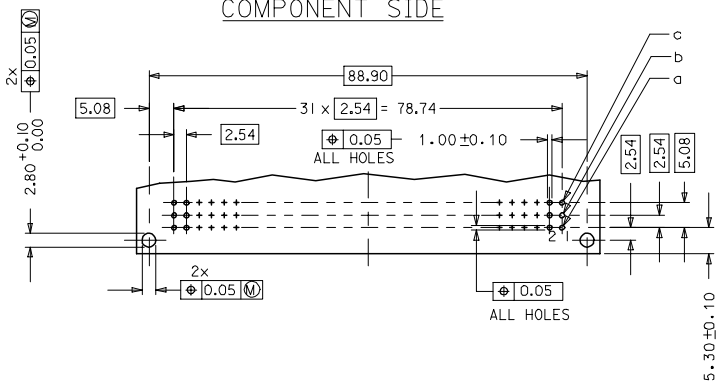


WITH MOUNTING CLIPS



RECOMMENDED PCB LAYOUT
COMPONENT SIDE



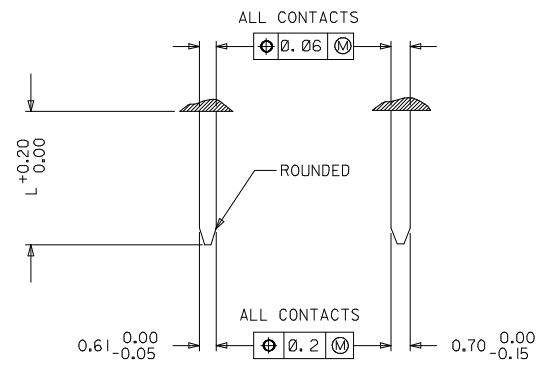
NOTES:

- 1) MATERIALS: PCT, CLASS FILLED, UL94V-0, COLOUR: NATURAL
TERMINAL - BRASS
MOUNTING CLIP: STEEL
- 2) FINISH: TERMINAL:-
CONTACT AREA
 1. PERFORMANCE LEVEL 1: SELECTIVE GOLD (Au), THICKNESS = 1.1 MICROMETER
OVER NICKEL, THICKNESS = 1.25 MICROMETER
 2. PERFORMANCE LEVEL 2: SELECTIVE GOLD (Au), THICKNESS = 0.6 MICROMETER
OVER NICKEL, THICKNESS = 1.25 MICROMETER
 3. PERFORMANCE LEVEL 3: SELECTIVE GOLD (Au), THICKNESS = 0.3 MICROMETER
OVER NICKEL, THICKNESS = 1.25 MICROMETER
 TERMINATION AREA:
SELECTIVE TIN, THICKNESS = 2.5 MICROMETER
OVER NICKEL, THICKNESS = 1.25 MICROMETER OVERALL
- 3) MOUNTING CLIP:-
TIN (Sn), THICKNESS = 5-10 MICROMETER,
OVER NICKEL (Ni), THICKNESS = 2.5 MICROMETER
- 4) FOR NON MOUNTING CLIP OPTION, CONNECTOR TO BE SECURED WITH
RIVETS: 2 TUBULAR RIVETS 2.5 x 0.3 ... DIN 7340
SCREWS: 2 CHEESEHEAD SCREWS M2.5 x DIN 84 AND 2 HEXAGONAL NUTS M2.5 DIN 934
- 5) FOR CUSTOMER PART NO. PRINTING DETAILS
REFER SHEET 2.
- 6) CUT FACE OF TIP WITHOUT PLATING PERMITTED
- 7) PRODUCT SPECIFICATION PS : 36502-002

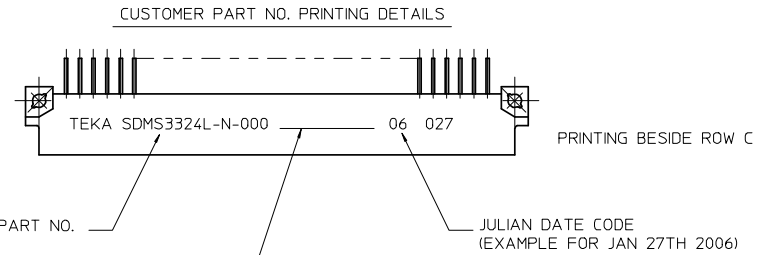
RoHS COMPLIANT

ENTER DESCRIPTION ELC.MC.12007.0261 DRAWING APPROVED 2007/07/18 CHECKED BY 2007/07/19 APPROVED BY 2007/07/19	QUALITY SYMBOLS ▽=0 ▽=0	GENERAL TOLERANCES (UNLESS SPECIFIED)		DIMENSION STYLE MM ONLY		SCALE 2:1	DESIGN UNITS METRIC	THIRD ANGLE PROJECTION
		4 PLACES ± --- ± --- 3 PLACES ± 0.05 ± --- 2 PLACES ± 0.1 ± --- 1 PLACE ± 0.15 ± ---	INCH ± --- ± --- ± ---	DRAWN BY SHANKAR DATE 2006/05/30	CHECKED BY SSUDHIR DATE 2006/05/30	TITLE ASSY DIN41612 96 POS C MALE, HIGH TEMP CONN. CUSTOMER SPECIAL PRINT		MOLEX INCORPORATED
DRAFT WHERE APPLICABLE MUST REMAIN WITHIN DIMENSIONS	SEE SHEET 2	MATERIAL NO. SD-36502-020		DOCUMENT NO.		THIS DRAWING CONTAINS INFORMATION THAT IS PROPRIETARY TO MOLEX INCORPORATED AND SHOULD NOT BE USED WITHOUT WRITTEN PERMISSION		

MATERIAL No	PERF LEVEL	PLATING	CONTACT SEQUENCE/ROW	PREMATING CONTACT POS.	MOUNTING CLIP
36502-0134	3	Au+NI	1,2,3,...32 a+b+c	N0	YES



PRE MATING CONTACTS	5.4
NORMAL CONTACTS	4.8
	L



RoHS COMPLIANT

ENTER DESCRIPTION E.C. NO: 12008-0404 2008/03/03 DRWNS: CHDKRPRASAD 2008/03/03 APPR:KPRASAD 2008/03/03	QUALITY SYMBOLS ▽=0 ▽=0	GENERAL TOLERANCES (UNLESS SPECIFIED)		DIMENSION STYLE MM ONLY	SCALE 2:1	DESIGN UNITS METRIC	THIRD ANGLE PROJECTION
		4 PLACES ± --- ± --- 3 PLACES ± 0.05 ± --- 2 PLACES ± 0.1 ± --- 1 PLACE ± 0.15 ± ---	mm INCH	DRAWN BY SHANKAR DATE 2006/05/30	TITLE ASSY DIN41612 96 POS C MALE, HIGH TEMP CONN. CUSTOMER SPECIAL PRINT		
		ANGULAR ± 2 °	APPROVED BY SSUDHIR DATE 2006/05/30	MATERIAL NO. SD-36502-020	DOCUMENT NO. MOLEX INCORPORATED		
		DRAFT WHERE APPLICABLE MUST REMAIN WITHIN DIMENSIONS	SEE CHART	SHEET NO. 2 OF 2			

THIS DRAWING CONTAINS INFORMATION THAT IS PROPRIETARY TO MOLEX INCORPORATED AND SHOULD NOT BE USED WITHOUT WRITTEN PERMISSION