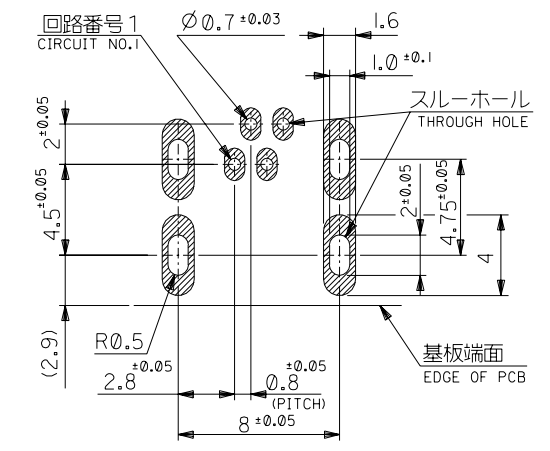


基板装着参考図 (シエル)
FIGURE OF MOUNTING (SHELL)



推奨基板寸法 (実装面側) (t=1.6)
REFERENCE USE ONLY PCB PATTERN LAYOUT

注記
NOTES

- 材質 MATERIAL
 ハウジング: PPS, UL94V-0
 HOUSING: PPS, UL94V-0
 ターミナル: リン青銅 t=0.25
 TERMINAL: PHOSPHOR BRONZE
 メッキ PLATING 接点部: 金メッキ 最小0.76マイクロメートル
 CONTACT AREA: GOLD 0.76 MICROMETER MIN.
 半田付け部: 錫メッキ 1.0マイクロメートル以上
 SOLDER TAIL AREA: TIN 1.0 MICROMETER MIN.
 下地メッキ: ニッケルメッキ 最小2マイクロメートル
 UNDER PLATING: NICKEL 2 MICROMETER MIN.
 - シエル: 鋼 t=0.5
 SHELL: STEEL
 メッキ PLATING 半田付け部: 錫メッキ 1.0マイクロメートル以上
 SOLDER TAIL AREA: TIN 1.0 MICROMETER MIN.
 下地メッキ: ニッケルメッキ 1マイクロメートル以上
 UNDER PLATING: NICKEL 1 MICROMETER MIN.
 - ロック: リン青銅 t=0.2
 LOCK: PHOSPHOR BRONZE
 メッキ PLATING 錫メッキ 最小0.9マイクロメートル
 TIN-PLATING: 0.9 MICROMETER MIN.
2. 本製品は 54818-***31 の鉛フリー品である。
 THIS PRODUCT IS LEAD FREE OF 54818-***31.

DO NOT SCALE DRAWING

EC NO. DRWN: CH'K: APPR:	EC NO. DRWN: CH'K: APPR:	EC NO. DRWN: CH'K: APPR:	EC NO. DRWN: CH'K: APPR:	EC NO. DRWN: CH'K: APPR:	RELEASED 04/05/06 EC NO. J2004-412 DRWN: M.NABEI CH'K: K.TOJO APPR: M.SASAO	DESCRIPTION SEE NOTE	MATERIAL 材料 SEE NOTE	GENERAL TOLERANCES: (UNLESS SPECIFIED) 一般公差	SCALE 4:1	DESIGN UNITS <input checked="" type="checkbox"/> mm <input type="checkbox"/> INCH	THIRD ANGLE PROJECTION <input checked="" type="checkbox"/>	MODEL NO. 54818-***39	DIMENSIONS: <input type="checkbox"/> mm <input type="checkbox"/> INCH <input checked="" type="checkbox"/> mm ONLY	MATERIAL NO. 54818-0439	CKT.NO. 4
EC NO. DRWN: CH'K: APPR:	EC NO. DRWN: CH'K: APPR:	EC NO. DRWN: CH'K: APPR:	EC NO. DRWN: CH'K: APPR:	EC NO. DRWN: CH'K: APPR:	REV 0	DESCRIPTION SEE NOTE	FINISH 仕上げ SEE NOTE	10 UNDER 未満 ±0.2	DRAWN BY & DATE M.NABEI 04/05/06	TITLE: 0.8mm PITCH I/O CONN. SOCKET FLANGE TYPE (M3) -LEAD FREE-					
EC NO. DRWN: CH'K: APPR:	EC NO. DRWN: CH'K: APPR:	EC NO. DRWN: CH'K: APPR:	EC NO. DRWN: CH'K: APPR:	EC NO. DRWN: CH'K: APPR:	REV 0	DESCRIPTION SEE NOTE	WIRE RANGE 適用電線範囲 #	10 OVER 30 UNDER 未満 ±0.25	CHECKED BY & DATE K.TOJO 04/05/06	MATERIAL NO. SEE CHART					
EC NO. DRWN: CH'K: APPR:	EC NO. DRWN: CH'K: APPR:	EC NO. DRWN: CH'K: APPR:	EC NO. DRWN: CH'K: APPR:	EC NO. DRWN: CH'K: APPR:	REV 0	DESCRIPTION SEE NOTE	INS. RANGE 被覆外径 #	30 OVER 以上 ±0.3	APPROVED BY & DATE M.SASAO 04/05/06	DRAWING NO. SD-54818-005					
EC NO. DRWN: CH'K: APPR:	EC NO. DRWN: CH'K: APPR:	EC NO. DRWN: CH'K: APPR:	EC NO. DRWN: CH'K: APPR:	EC NO. DRWN: CH'K: APPR:	REV 0	DESCRIPTION SEE NOTE	ANGLE 角度 ±3°	CAD FILENAME SD-54818-005.S01	SHEET NO. 1 OF 1						
THIS DRAWING CONTAINS INFORMATION THAT IS PROPRIETARY TO MOLEX INCORPORATED AND SHOULD NOT BE USED WITHOUT WRITTEN PERMISSION.												SIZE B			