

ENCLOSURE PART NUMBER

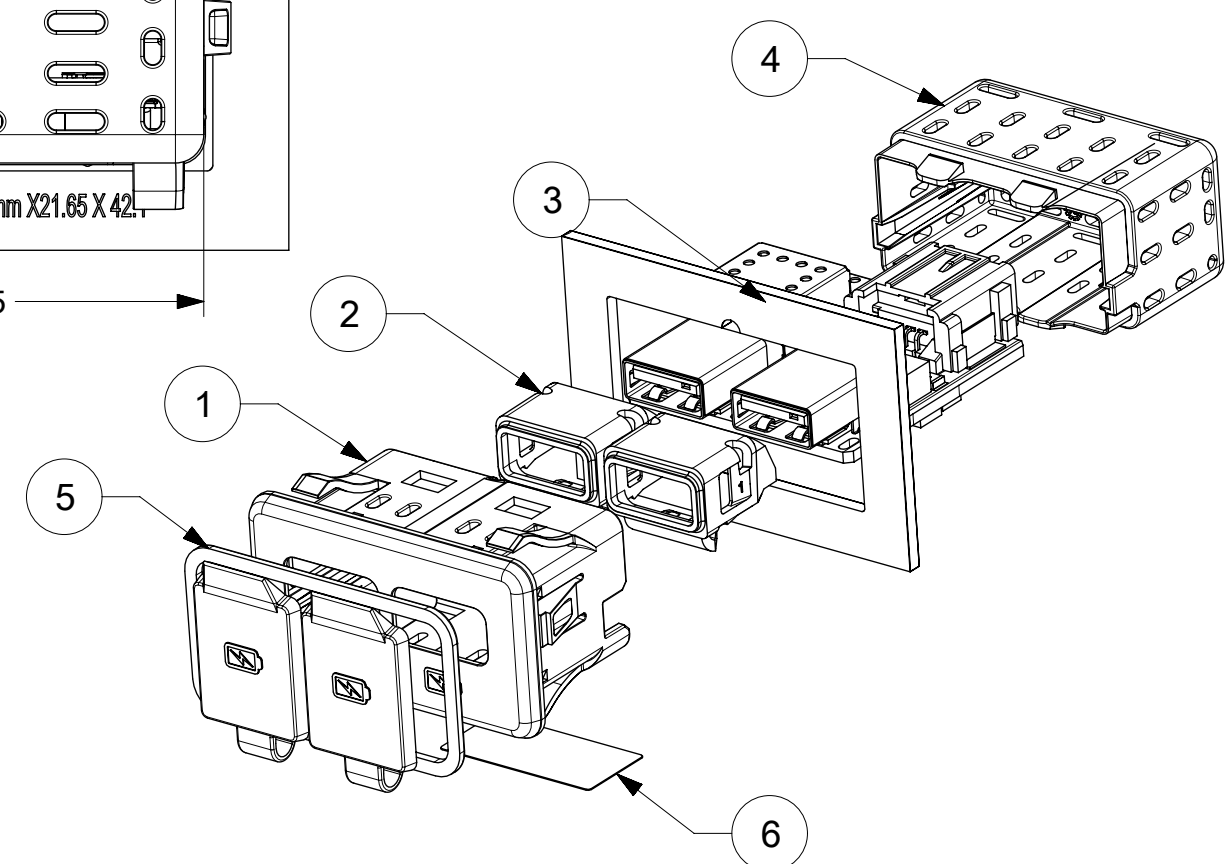
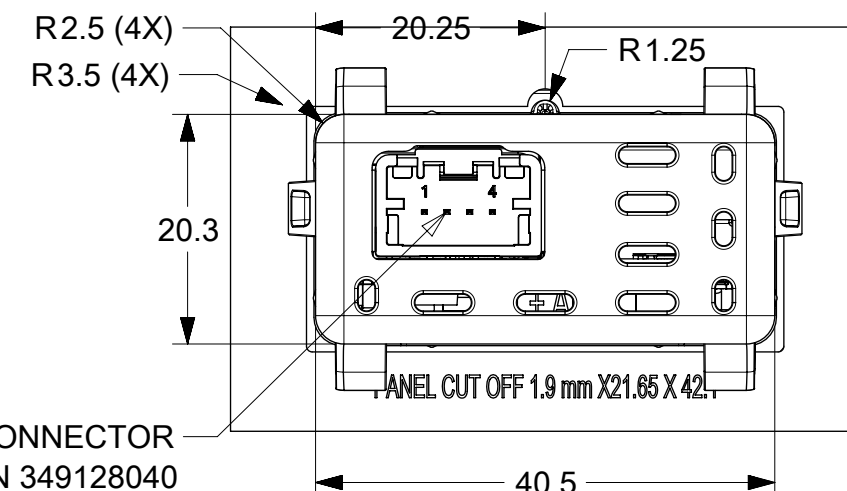
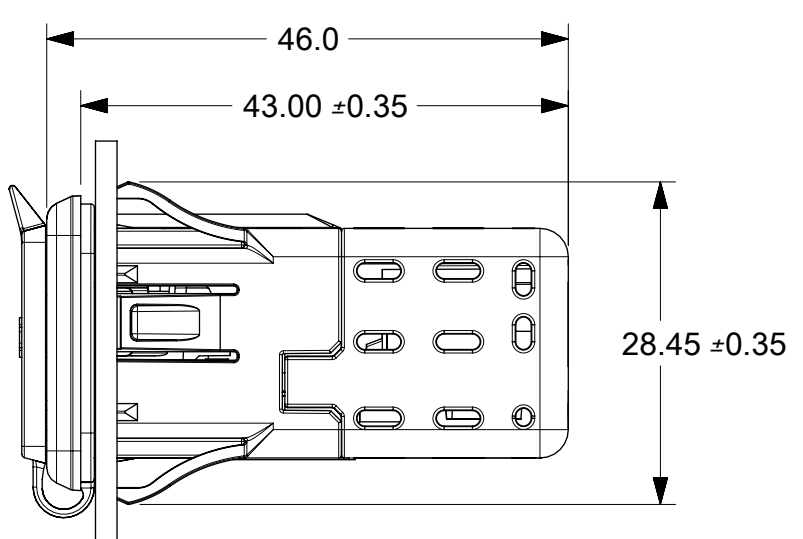
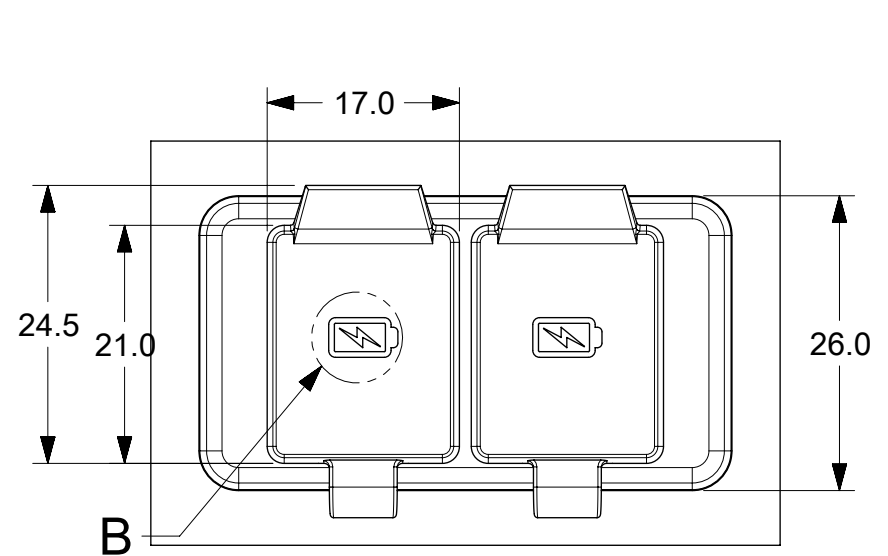
BILL OF MATERIAL

DATE REV DESCRIPTION

ITEM	MOLEX PART NUMBER	DESCRIPTION	COLOR
1	685324461	DUAL PORT USB CHARGER NO DUST COVER	BLACK
2	685324462	DUAL PORT USB CHARGER DUST COVER	BLACK

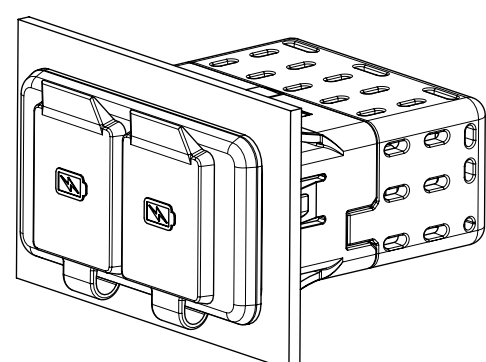
ITEM	PART NUMBER	DESCRIPTION	QTY
1	172057520	Front Housing	1
2	172050300	Light Pipe	2
3	685324440	PCBA Dual Small Charger	1
4	172045210	Rear Housing	1
5	172057540	Rubber Cover	1
6	172007905	Label 25 X 12 mm	1

2017/05/18	A	RELEASE DRAWING
2020/06/02	A1 A2	NOTE 1. SURFACE FINISH IS: 45 mm±10% WAS: NISSAN #424 NOTE 8. IS IPC CLASS: 3; WAS: 2

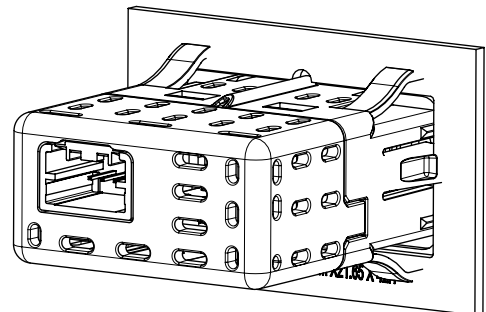


MINI 50 CONNECTOR  
4 WAY P/N 349128040  
WIRING HARNESS  
MATING CONNECTOR:  
MOLEX 347910040

PIN OUTS		
PIN	FUNCTION	CURRENT
1	Bat +	2,200 mA
2	NC	-
3	NC	-
4	Bat -	2,200 mA

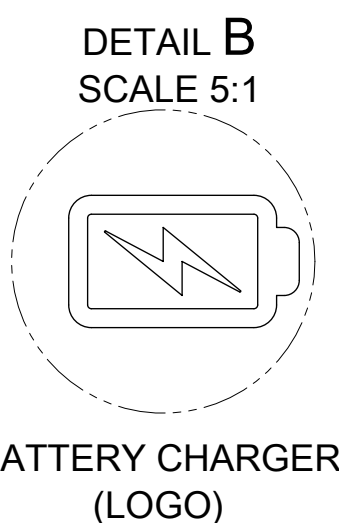
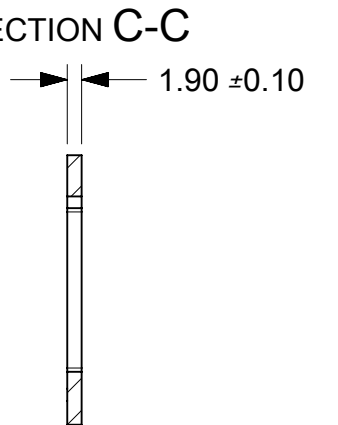
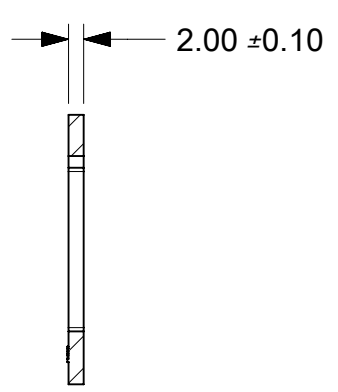
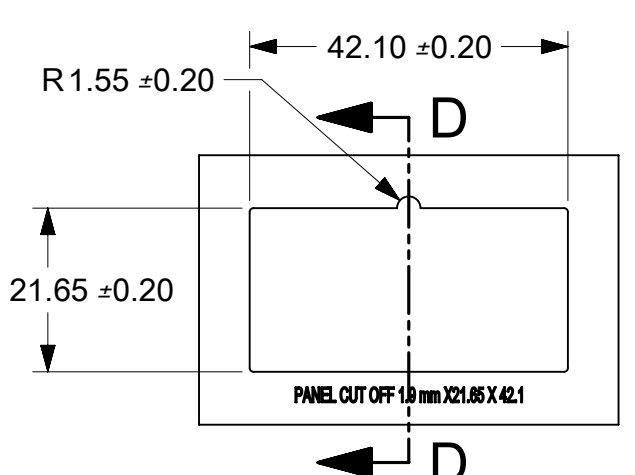
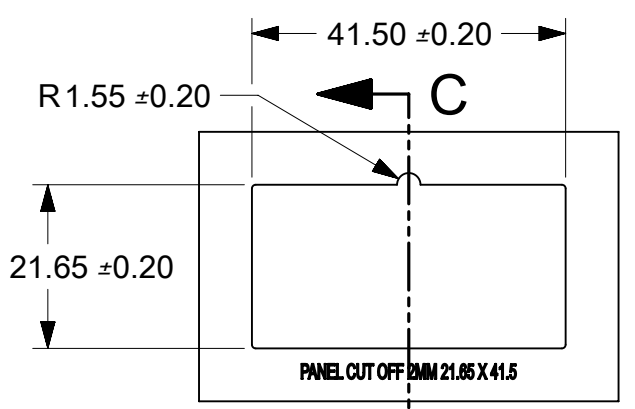
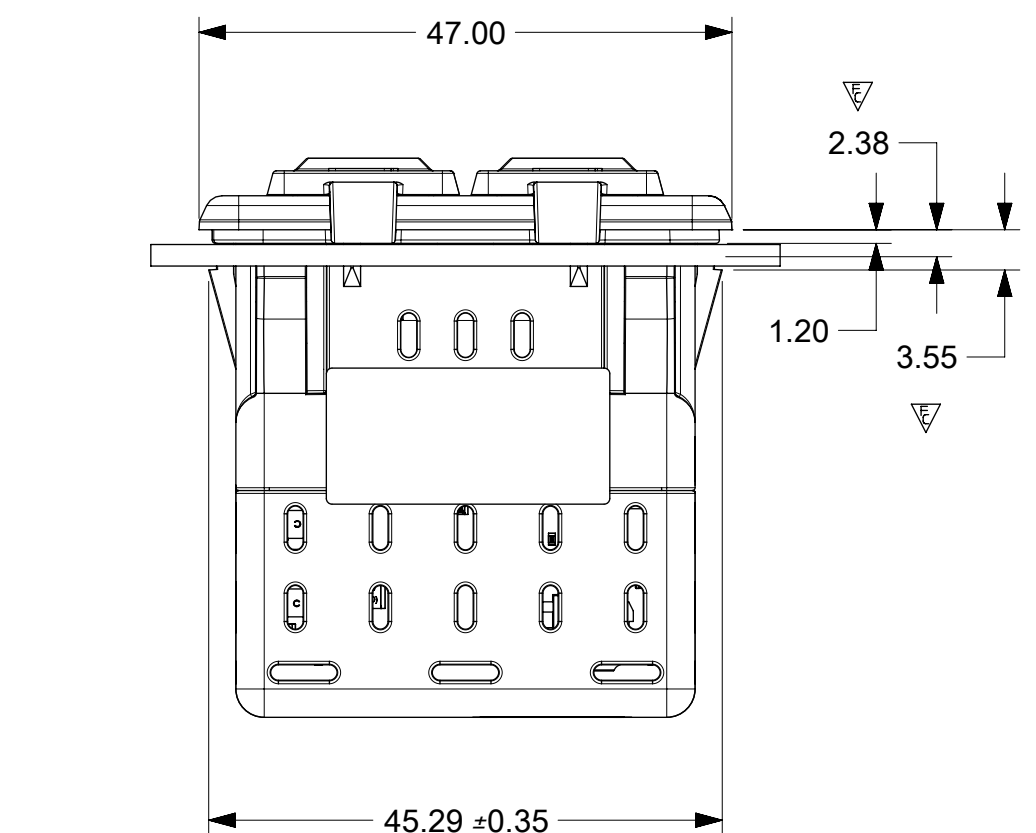


FRONT ISOMETRIC VIEW



REAR ISOMETRIC VIEW

- NOTES:
- MATERIALS
    - FRONT HOUSING: PC+ABS, CYCLOLOY LG9000, PG05 BLACK
    - SURFACE FINISH (FACEPLATE): 45 um ±10%
    - PAD PRINTING ON COVER AND FRONT HOUSING: 2 BATTERY LOGOS WHITE COLOR
    - LIGHT PIPES: SC-28876 RTP 0300 2405 LT DIFF.
    - REAR HOUSING: PC+ABS, CYCLOLOY LG9000, PG05 BLACK
    - RUBBER COVER: EMPILON HA65S4
    - PRINTING CIRCUIT BOARD: FR4, THICKNESS 1.6 mm
    - INPUT POWER CONN.: 2USB PORTS TYPE A
  - COLOR FOR ILLUMINATED USB HALO IS WHITE
  - CANDLES PER ILLUMINATED USB HALO: ORDINARY SWITCH 2cd/m2
  - INSERION FORCE: MAX 49N
  - REMOVAL FORCE: MIN 68.8N
  - PACKAGING ACCORDING TO: PK-68532-4460
  - PACKAGING FOR MODULE 685324466 ACCORDING TO: RPK\_68532\_001/2
  - PRODUCT LABEL ACCORDING WITH LS-68532-4460
  - ASSEMBLY ACCORDING TO IPC-A-610 CLASS 3
  - USB CHARGER CAPABILITIES: 3A PER PORT CURRENT LIMITED TO 2.9A MAX
  - DATE CODE STAMP APPEARS ON LABEL



DETAIL B  
SCALE 5:1  
BATTERY CHARGER (LOGO)

PANEL CUT OFF REQUIRED

SECTION D-D

SYMBOLS		THIS DRAWING CONTAINS INFORMATION THAT IS PROPRIETARY TO MOLEX ELECTRONIC TECHNOLOGIES, LLC AND SHOULD NOT BE USED WITHOUT WRITTEN PERMISSION	
DIMENSION UNITS	SCALE	CURRENT REV DESC:	
▽ = 0	mm 1.5:1	EC NO: 638172	
▽ = 2	GENERAL TOLERANCES (UNLESS SPECIFIED)	DRWN: FFIERROS 2020/06/02	
▽ = 0		CHK'D: JLFLORES01 2020/06/02	
▽ = 0	ANGULAR TOL ± 0.5°	APPR: DMUELLER 2020/06/25	
▽ = 0	4 PLACES ±	INITIAL REVISION:	
▽ = 0	3 PLACES ± 0.05	DRWN: FFIERROS 2016/12/06	
▽ = 0	2 PLACES ± 0.13	APPR: DMUELLER 2017/05/22	
▽ = 0	1 PLACE ± 0.25	THIRD ANGLE PROJECTION	
▽ = 0	0 PLACES ±	DRAWING SERIES	
▽ = 0	DRAFT WHERE APPLICABLE MUST REMAIN WITHIN DIMENSIONS	C-SIZE 68532	

DOCUMENT NUMBER		DOC TYPE		DOC PART		REVISION	
685324462		PSD	000	A2			
MATERIAL NUMBER		CUSTOMER		SHEET NUMBER			
685324462		SPO		1 OF 1			