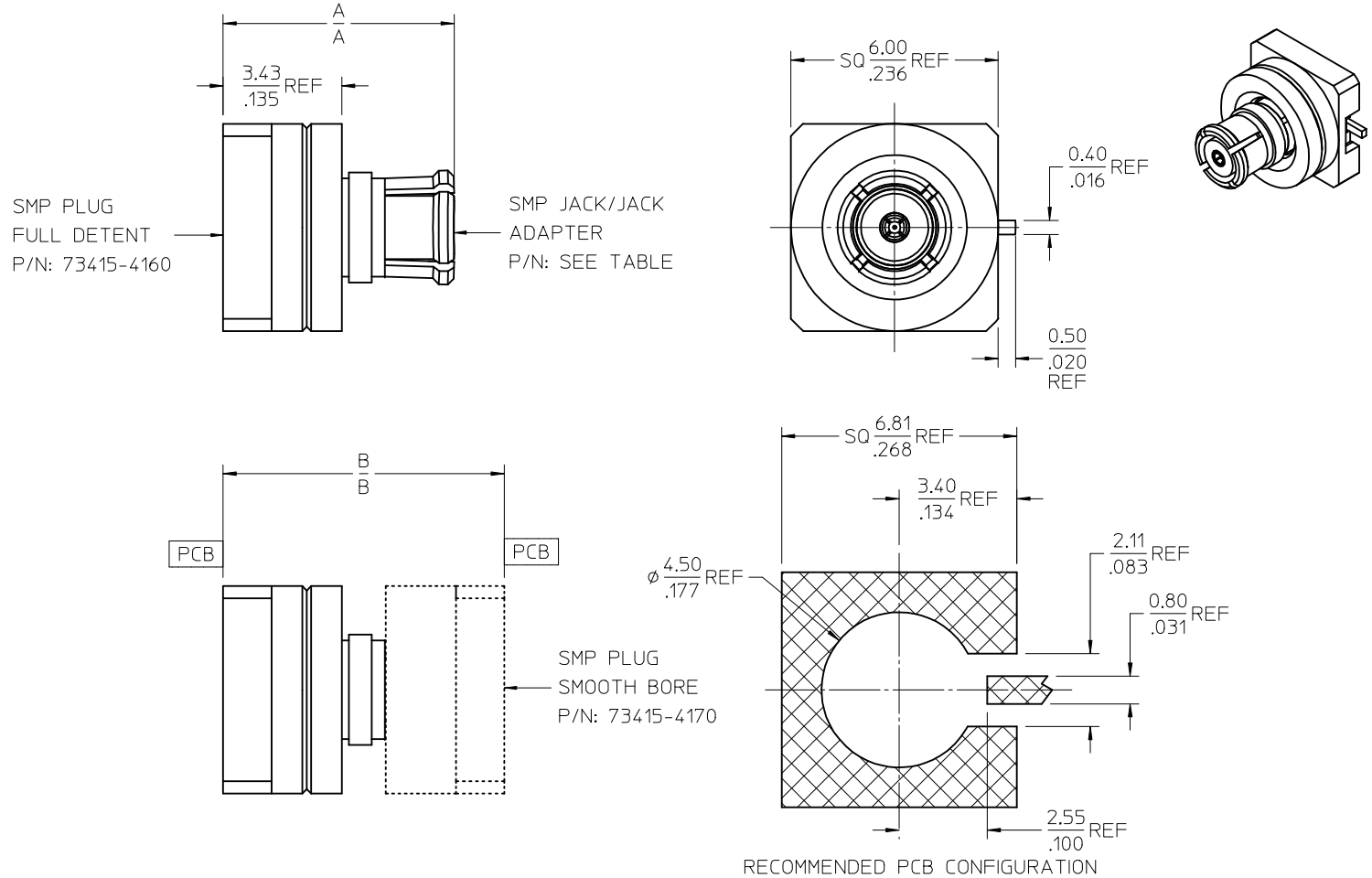


MATERIALS AND FINISHES:

SMP PLUG:  
SEE SD-73415-416

SMP JACK/JACK ADAPTER:  
SEE SD-73415-418

KAPTON: POLYIMIDE  
COLOR: BLACK



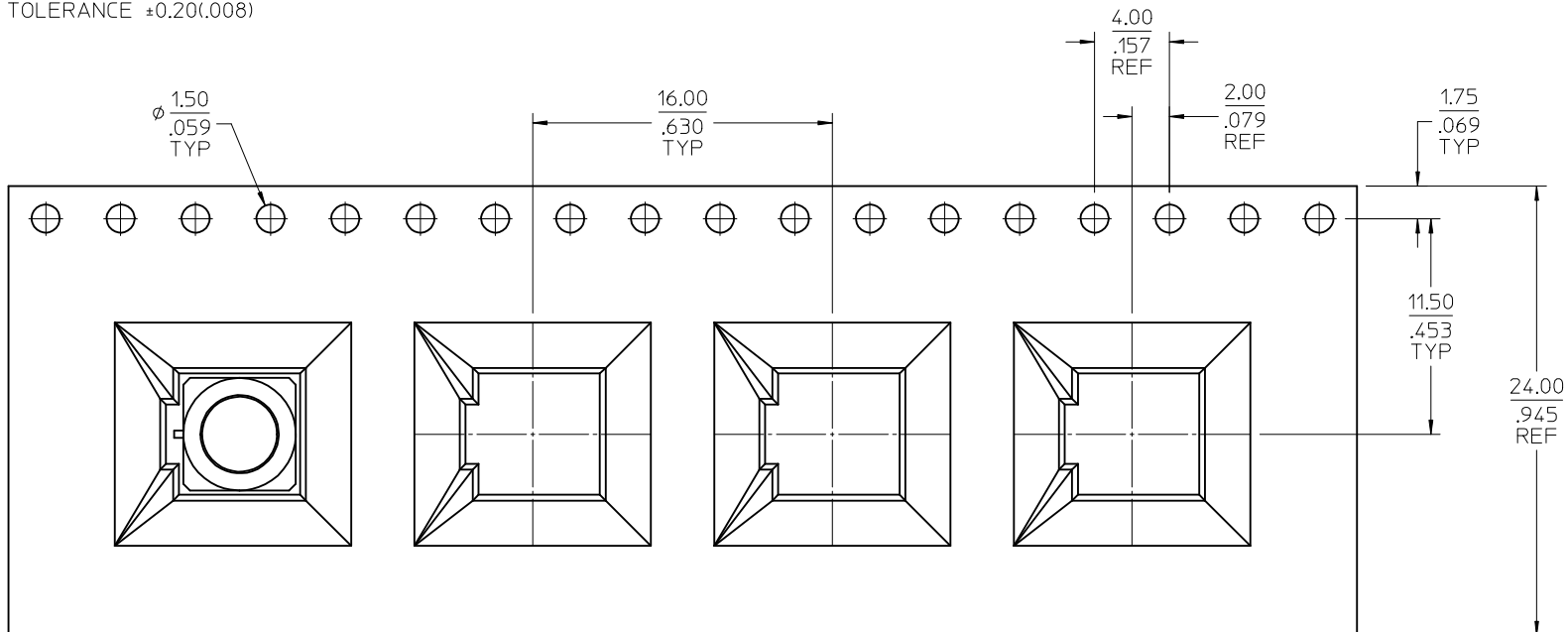
73415-4214	73415-4185	.281±.005	7.14±0.13	.332±.008	8.43±0.20	-4214 WITH TAPE & REEL WITH KAPTON
73415-4213	73415-4184	.306±.006	7.77±0.15	.357±.009	9.07±0.23	-4213 WITH TAPE & REEL WITH KAPTON
73415-4212	73415-4181	.265±.005	6.73±0.13	.316±.008	8.03±0.20	-4210 WITH TAPE & REEL WITH KAPTON
73415-4211	73415-4180	.219±.005	5.56±0.13	.270±.008	6.86±0.20	-4211 WITH TRAY
73415-4210	73415-4181	.265±.005	6.73±0.13	.316±.008	8.03±0.20	-4210 WITH TRAY
PART NO.	SMP JACK/JACK	IN	MM	IN	MM	PACKAGING

DIM A DIM B

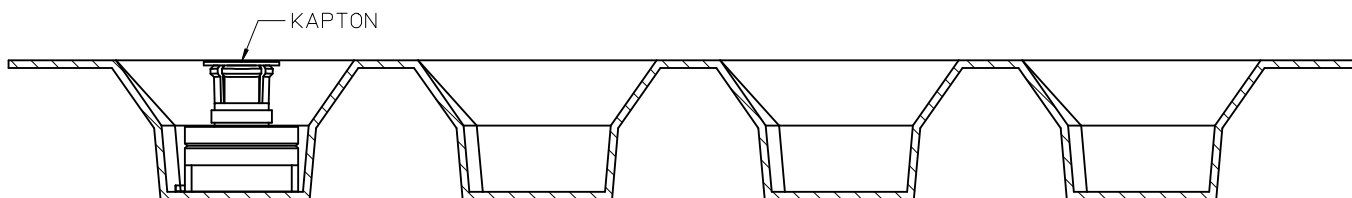
CHG: UPD DIM A & B WITH TOLERANCE. UPD MATERIALS AND FINISHES NOTE. EC NO: URF2017-0403 DRWIN:APRAKASHO1 2017/06/05 CHKD:888 2017/06/05 APPR:AROBERTSON 2017/06/29 B5	QUALITY SYMBOLS ∇=0 ∇=0 ∇=0	GENERAL TOLERANCES (UNLESS SPECIFIED) mm INCH 4 PLACES ± --- ± --- 3 PLACES ± --- ± .010 2 PLACES ± 0.25 ± --- 1 PLACE ± --- ± --- 0 PLACE ± --- ± --- ANGULAR ±1/2° DRAFT WHERE APPLICABLE MUST REMAIN WITHIN DIMENSIONS	DIMENSION STYLE MM/IN DRAWN BY DATE AZR 2004/03/24 CHECKED BY DATE SSS 2004/03/24 APPROVED BY DATE JDW 2004/03/24 MATERIAL NO. SEE TABLE	SCALE DESIGN UNITS METRIC THIRD ANGLE PROJECTION	TITLE SMP ADAPTER ASSEMBLY 50 OHM EWR-2391 SMP-P/J/PCB <b>molex</b> DOCUMENT NO. SD-73415-421	SHEET NO. 1 OF 7
	THIS DRAWING CONTAINS INFORMATION THAT IS PROPRIETARY TO MOLEX INCORPORATED AND SHOULD NOT BE USED WITHOUT WRITTEN PERMISSION					

NOTE:

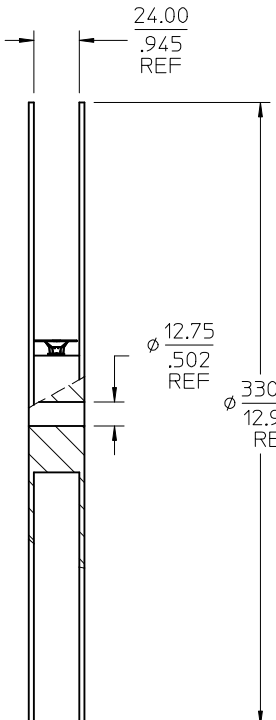
1. 10 PITCHES CUMULATIVE TOLERANCE ±0.20(.008)



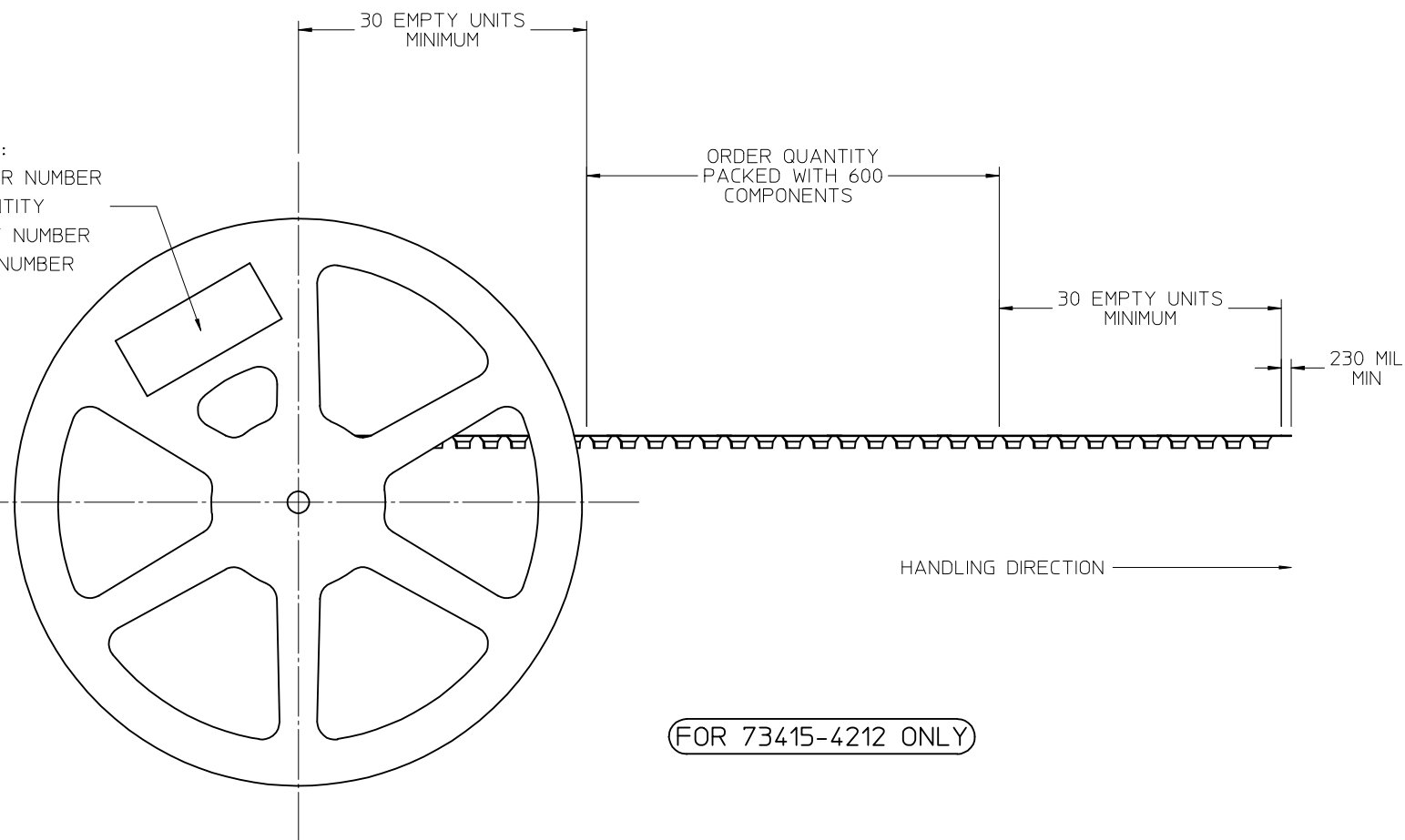
FOR 73415-4212 ONLY



CHG: SEE SHEET 1 EC NO: URF2017-0403 DRWN: APRKASHO1 2017/06/05 CHKD: HBB 2017/06/05 APPR: ARBERTSON 2017/06/29	QUALITY SYMBOLS ▽=0 ▽=0 ▽=0	GENERAL TOLERANCES (UNLESS SPECIFIED) mm INCH 4 PLACES ± --- ± --- 3 PLACES ± --- ± .010 2 PLACES ± 0.25 ± --- 1 PLACE ± --- ± --- 0 PLACE ± --- ± --- ANGULAR ±1/2°	DIMENSION STYLE MM/IN DRAWN BY DATE AZR 2004/03/24 CHECKED BY DATE SSS 2004/03/24 APPROVED BY DATE JDW 2004/03/24	SCALE DESIGN UNITS METRIC THIRD ANGLE PROJECTION	TITLE SMP ADAPTER ASSEMBLY 50 OHM EWR-2391 SMP-P/J/PCB <b>molex</b>	MATERIAL NO. SEE SHEET 1	DOCUMENT NO. SD-73415-421	SHEET NO. 2 OF 7	
	DRAFT WHERE APPLICABLE MUST REMAIN WITHIN DIMENSIONS	SIZE C	THIS DRAWING CONTAINS INFORMATION THAT IS PROPRIETARY TO MOLEX INCORPORATED AND SHOULD NOT BE USED WITHOUT WRITTEN PERMISSION						
	REV B5								



LABEL :  
 -ORDER NUMBER  
 -QUANTITY  
 -PART NUMBER  
 -LOT NUMBER



FOR 73415-4212 ONLY

CHG: SEE SHEET 1  
 EC NO: URF2017-0403  
 DRWN:APRAKASHO1 2017/06/05  
 CHKD:BBB 2017/06/05  
 APPR:AROBERTSON 2017/06/29

REV	DESCRIPTION	QUALITY SYMBOLS
B5		▽=0
		▽=0
		▽=0

GENERAL TOLERANCES (UNLESS SPECIFIED)	
mm	INCH
4 PLACES ± .---	± .---
3 PLACES ± .---	± .010
2 PLACES ± 0.25	± .---
1 PLACE ± .---	± .---
0 PLACE ± .---	± .---

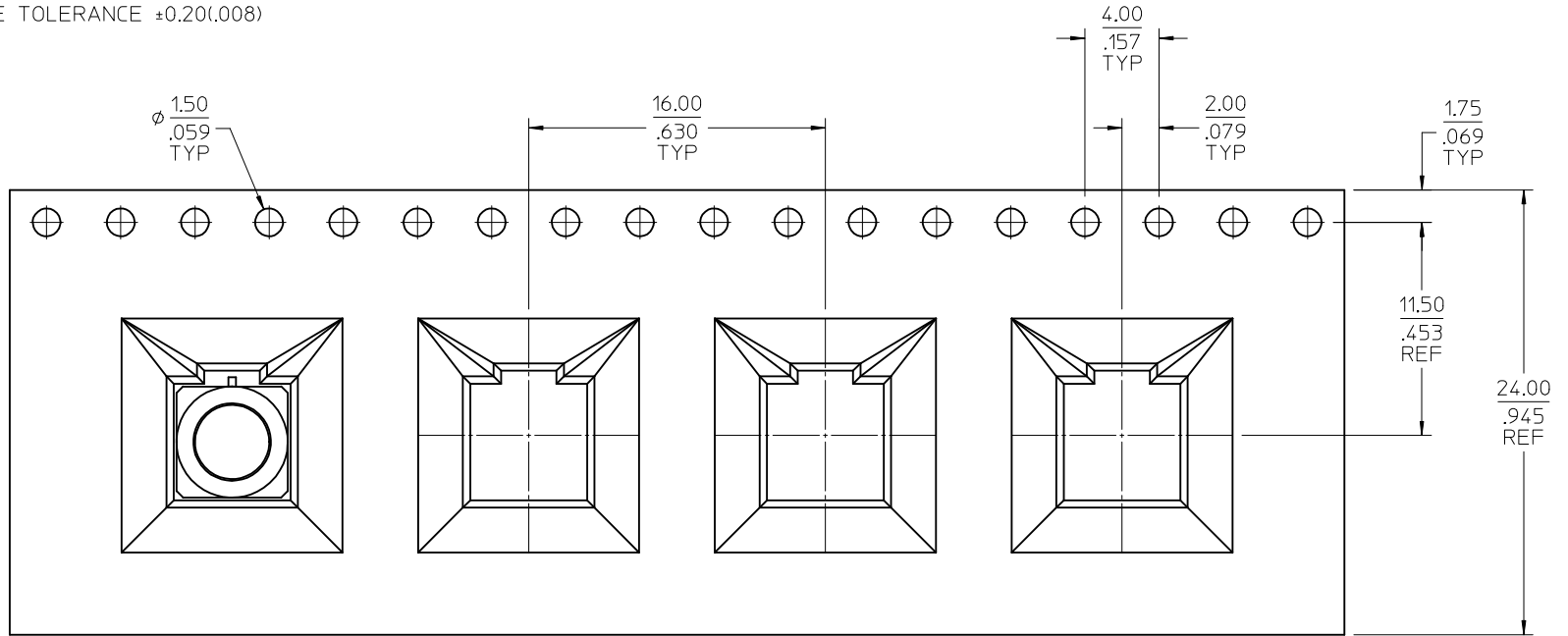
ANGULAR ±1/2°  
 DRAFT WHERE APPLICABLE MUST REMAIN WITHIN DIMENSIONS

DIMENSION STYLE	
MM/IN	
DRAWN BY	DATE
AZR	2004/03/24
CHECKED BY	DATE
SSS	2004/03/24
APPROVED BY	DATE
JDW	2004/03/24
MATERIAL NO.	
SEE SHEET 1	

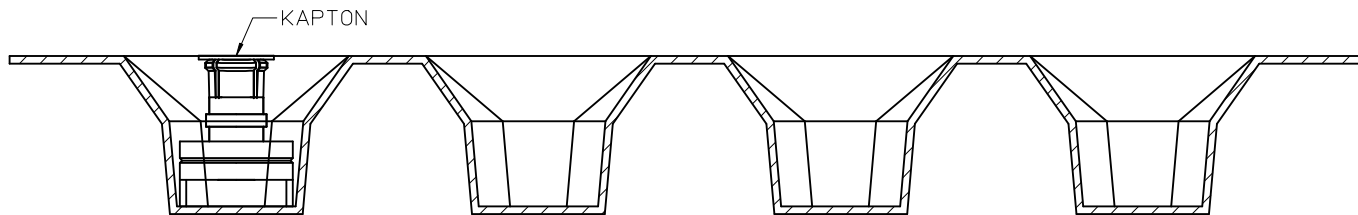
SCALE	DESIGN UNITS	THIRD ANGLE PROJECTION
	METRIC	☉
TITLE		
SMP ADAPTER ASSEMBLY		
50 OHM EWR-2391		
SMP-P/J/PCB		
<b>molex</b>		
DOCUMENT NO.	SHEET NO.	
SD-73415-421	3 OF 7	

NOTE:

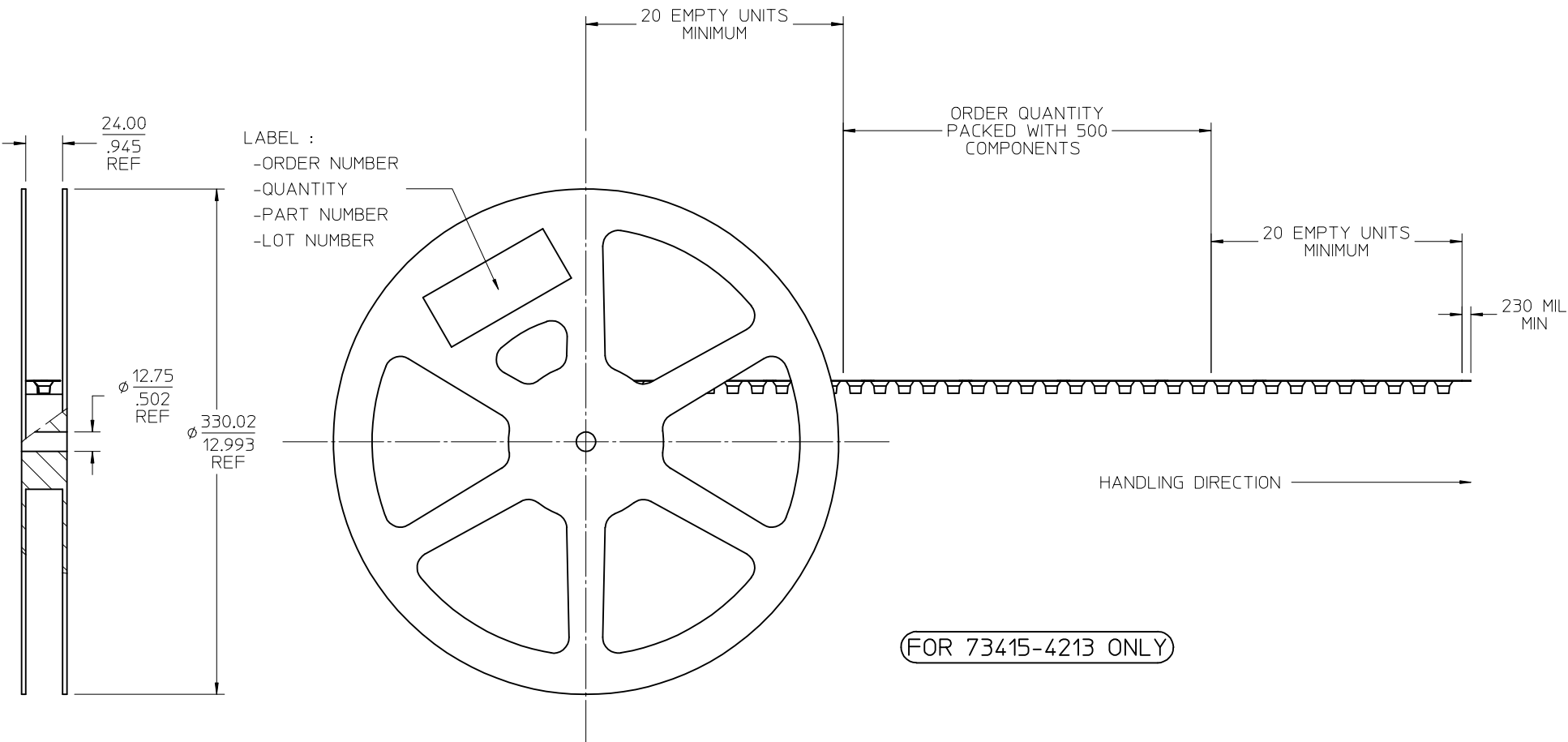
1. 10 PITCHES CUMULATIVE TOLERANCE ±0.20(.008)



FOR 73415-4213 ONLY



CHG: SEE SHEET 1 EC NO: URF2017-0403 DRWN: APRAKASHO1 2017/06/05 CHKD: 888 2017/06/05 APPR: ARBERTSON 2017/06/29	QUALITY SYMBOLS ∇=0 ∇=0 ∇=0	GENERAL TOLERANCES (UNLESS SPECIFIED)		DIMENSION STYLE MM/IN		SCALE	DESIGN UNITS METRIC	THIRD ANGLE PROJECTION			
		4 PLACES ± --- ± ---	3 PLACES ± --- ± .010	DRAWN BY AZR	DATE 2004/03/24	TITLE SMP ADAPTER ASSEMBLY 50 OHM EWR-2391 SMP-P/J/PCB					
		2 PLACES ± 0.25 ± ---	1 PLACE ± --- ± ---	CHECKED BY SSS	DATE 2004/03/24	APPROVED BY JDW					
		0 PLACE ± --- ± ---	ANGULAR ±1/2°	MATERIAL NO. SEE SHEET 1		DOCUMENT NO. SD-73415-421		SHEET NO. 4 OF 7			
B5	DRAFT WHERE APPLICABLE MUST REMAIN WITHIN DIMENSIONS	THIS DRAWING CONTAINS INFORMATION THAT IS PROPRIETARY TO MOLEX INCORPORATED AND SHOULD NOT BE USED WITHOUT WRITTEN PERMISSION									

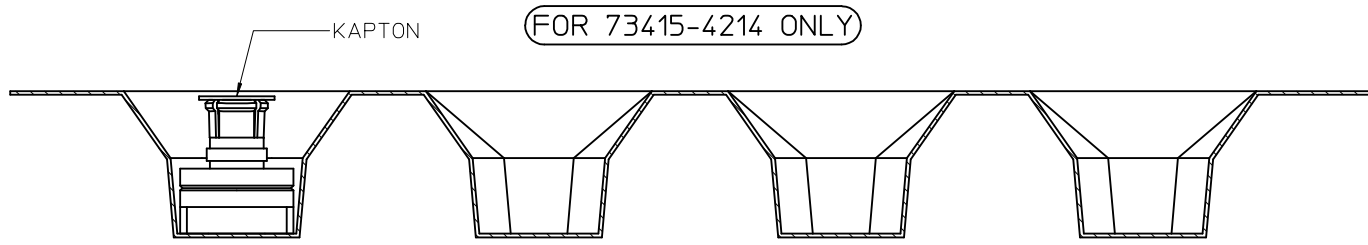
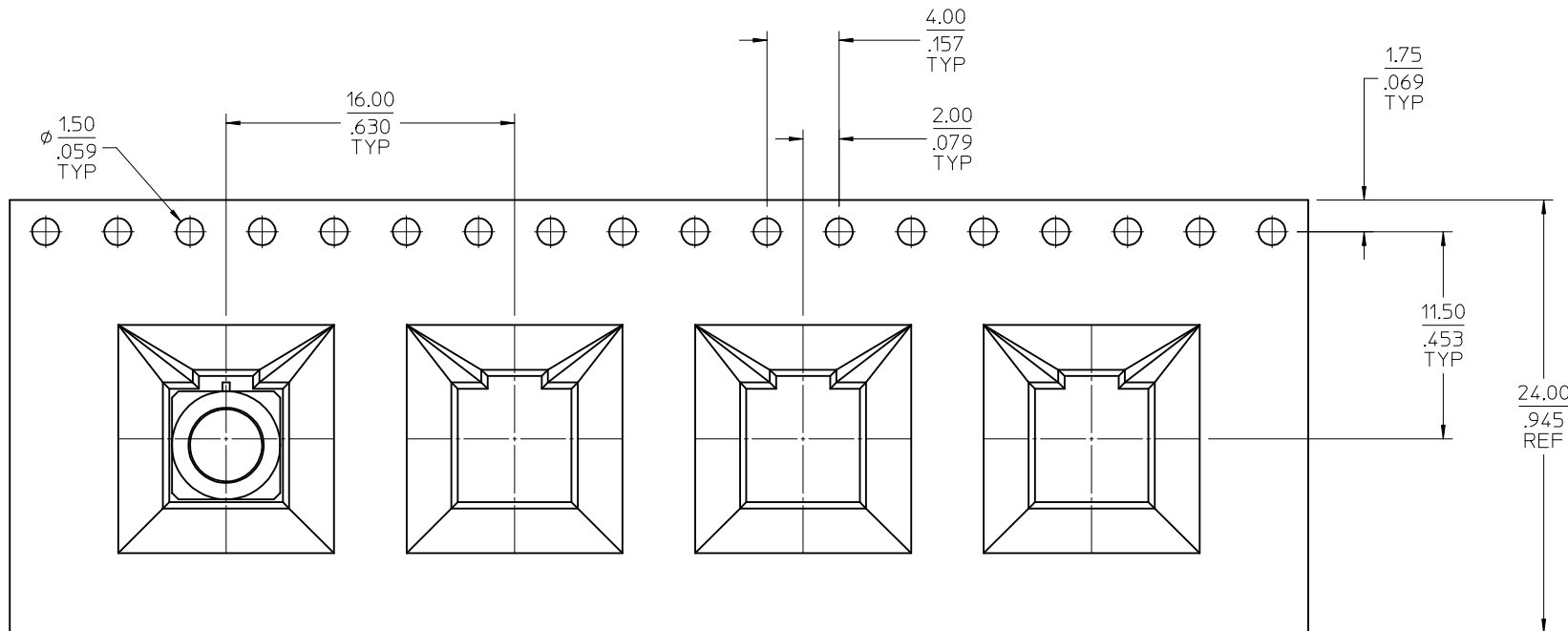


SEE SHEET 1 FOR PCB LAYOUT

CHG: SEE SHEET 1 EC NO: URF-2017-0403 DRW: APRKASH01 2017/06/05 CHK: D888 2017/06/05 APPR: AROBERTSON 2017/06/29 B5	QUALITY SYMBOLS 	GENERAL TOLERANCES (UNLESS SPECIFIED) <table border="1"> <thead> <tr> <th></th> <th>mm</th> <th>INCH</th> </tr> </thead> <tbody> <tr> <td>4 PLACES</td> <td>± .010</td> <td>± .0004</td> </tr> <tr> <td>3 PLACES</td> <td>± .010</td> <td>± .0004</td> </tr> <tr> <td>2 PLACES</td> <td>± 0.25</td> <td>± .010</td> </tr> <tr> <td>1 PLACE</td> <td>± .010</td> <td>± .0004</td> </tr> <tr> <td>0 PLACE</td> <td>± .010</td> <td>± .0004</td> </tr> </tbody> </table>		mm	INCH	4 PLACES	± .010	± .0004	3 PLACES	± .010	± .0004	2 PLACES	± 0.25	± .010	1 PLACE	± .010	± .0004	0 PLACE	± .010	± .0004	DIMENSION STYLE <b>MM/IN</b> DRAWN BY: AZR DATE: 2004/03/24 CHECKED BY: SSS DATE: 2004/03/24 APPROVED BY: JDW DATE: 2004/03/24	SCALE: TITLE: SMP ADAPTER ASSEMBLY DESIGN UNITS: METRIC THIRD ANGLE PROJECTION	MATERIAL NO.: SEE SHEET 1 DOCUMENT NO.: SD-73415-421 SHEET NO.: 5 OF 7
		mm	INCH																				
	4 PLACES	± .010	± .0004																				
	3 PLACES	± .010	± .0004																				
2 PLACES	± 0.25	± .010																					
1 PLACE	± .010	± .0004																					
0 PLACE	± .010	± .0004																					
ANGULAR ±1/2° DRAFT WHERE APPLICABLE MUST REMAIN WITHIN DIMENSIONS		THIS DRAWING CONTAINS INFORMATION THAT IS PROPRIETARY TO MOLEX. INCORPORATED AND SHOULD NOT BE USED WITHOUT WRITTEN PERMISSION																					

13 12 11 10 9 8 7 6 5 4 3 2 1

J  
I  
H  
G  
F  
E  
D  
C  
B  
A



CHG: SEE SHEET 1  
EC NO: URF2017-0403  
DRAWN: APRKASHO1 2017/06/05  
CHKD: BBB 2017/06/05  
APPR: AROBERTSON 2017/06/29  
REV B5

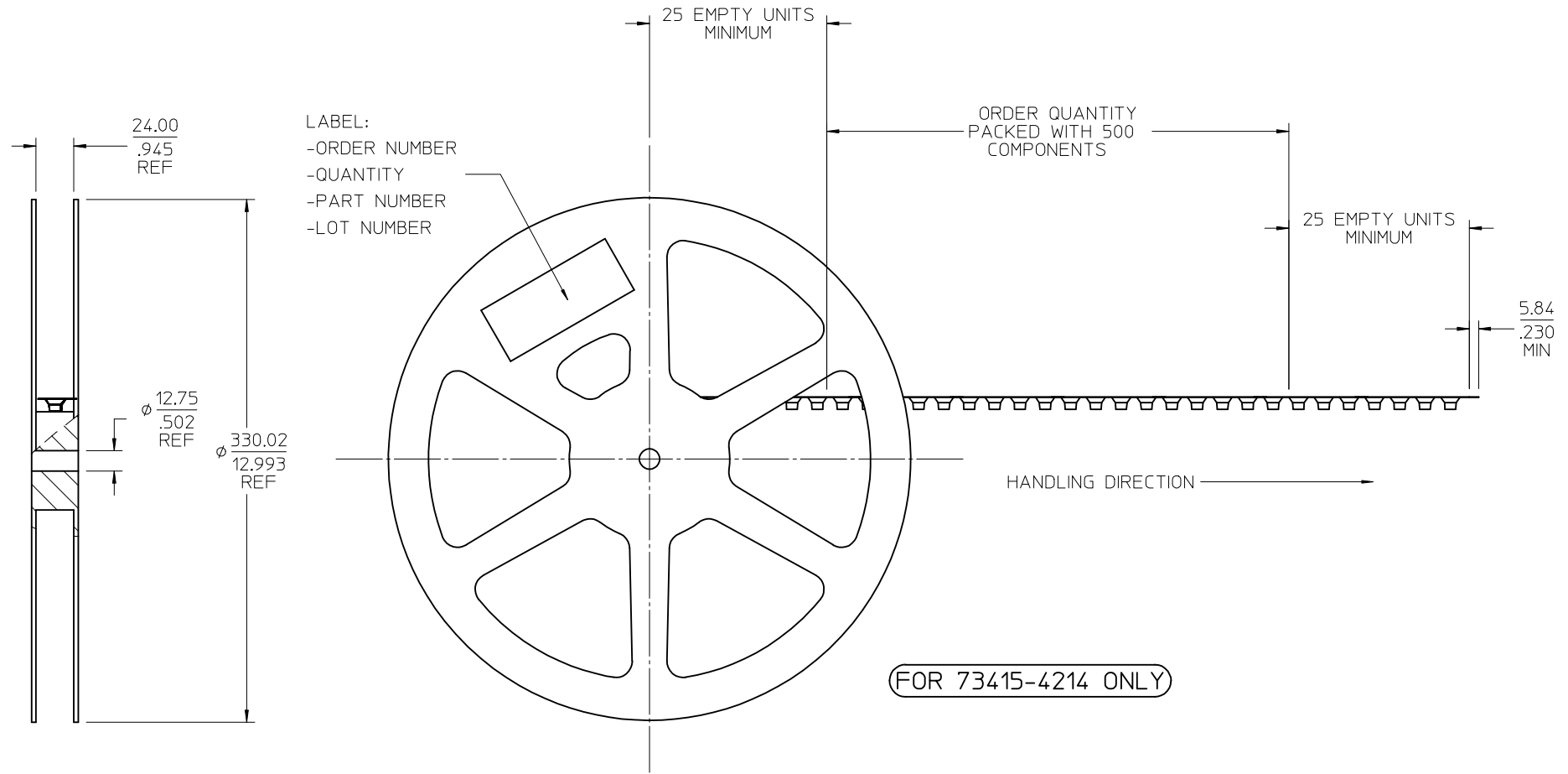
REV	DESCRIPTION	QUALITY SYMBOLS
		$\nabla = 0$
		$\nabla = 0$
		$\nabla = 0$

GENERAL TOLERANCES (UNLESS SPECIFIED)	
	MM/IN
4 PLACES	$\pm$ ---
3 PLACES	$\pm$ ---
2 PLACES	$\pm 0.25$
1 PLACE	$\pm$ ---
0 PLACE	$\pm$ ---
ANGULAR $\pm 1/2^\circ$	
DRAFT WHERE APPLICABLE MUST REMAIN WITHIN DIMENSIONS	

DIMENSION STYLE	
MM/IN	
DRAWN BY	DATE
AZR	2004/03/24
CHECKED BY	DATE
SSS	2004/03/24
APPROVED BY	DATE
JDW	2004/03/24
MATERIAL NO.	
SEE SHEET 1	

SCALE	DESIGN UNITS	THIRD ANGLE PROJECTION
	METRIC	
TITLE		
SMP ADAPTER ASSEMBLY		
50 OHM EWR-2391		
SMP-P/J/PCB		
<b>molex</b>		
MATERIAL NO.	DOCUMENT NO.	SHEET NO.
SEE SHEET 1	SD-73415-421	6 OF 7
THIS DRAWING CONTAINS INFORMATION THAT IS PROPRIETARY TO MOLEX INCORPORATED AND SHOULD NOT BE USED WITHOUT WRITTEN PERMISSION		

Ib\_frame\_C\_P\_AM\_T Rev. G 2012/01/11 12 11 10 9 8 7 6 5 4 3 2 1



LABEL:  
 -ORDER NUMBER  
 -QUANTITY  
 -PART NUMBER  
 -LOT NUMBER

FOR 73415-4214 ONLY

CHG: SEE SHEET 1 EC NO: URF2017-0403 DRWN:APRAKASHO1 2017/06/05 CHKD:BBB 2017/06/05 APPR:AROBERTSON 2017/06/29 B5	QUALITY SYMBOLS	GENERAL TOLERANCES (UNLESS SPECIFIED)	DIMENSION STYLE	SCALE	DESIGN UNITS	THIRD ANGLE PROJECTION
	▽=0	mm INCH	MM/IN		METRIC	
	▽=0	4 PLACES ± --- ± ---	DRAWN BY DATE	TITLE		
	▽=0	3 PLACES ± --- ± .010	CHECKED BY DATE	SMP ADAPTER ASSEMBLY		
		2 PLACES ± 0.25 ± ---	SSS 2004/03/24		50 OHM EWR-2391	
		1 PLACE ± --- ± ---	APPROVED BY DATE		SMP-P/J/PCB	
		0 PLACE ± --- ± ---	JDW 2004/03/24		<b>molex</b>	
		ANGULAR ±1/2°	MATERIAL NO.	DOCUMENT NO.		SHEET NO.
		DRAFT WHERE APPLICABLE MUST REMAIN WITHIN DIMENSIONS	SEE SHEET 1	SD-73415-421		7 OF 7
			SIZE C	THIS DRAWING CONTAINS INFORMATION THAT IS PROPRIETARY TO MOLEX INCORPORATED AND SHOULD NOT BE USED WITHOUT WRITTEN PERMISSION		