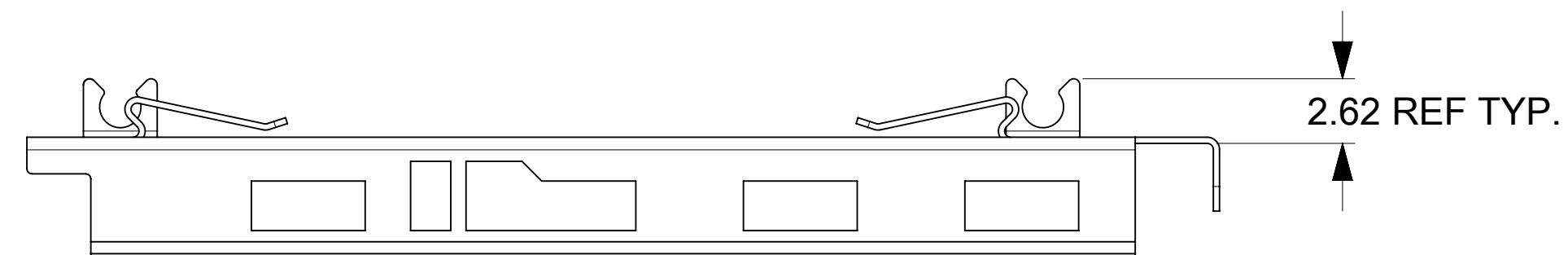
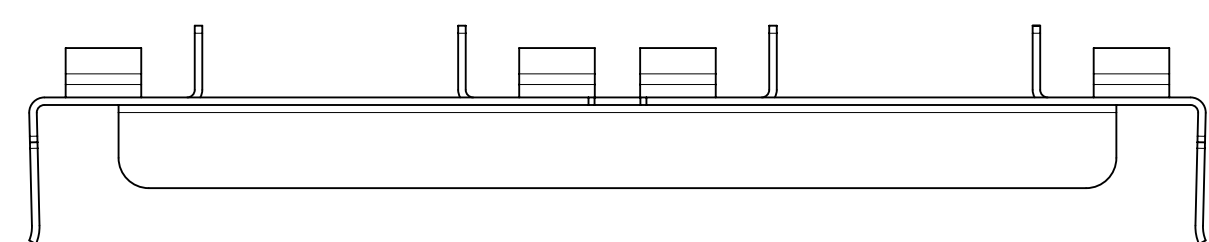
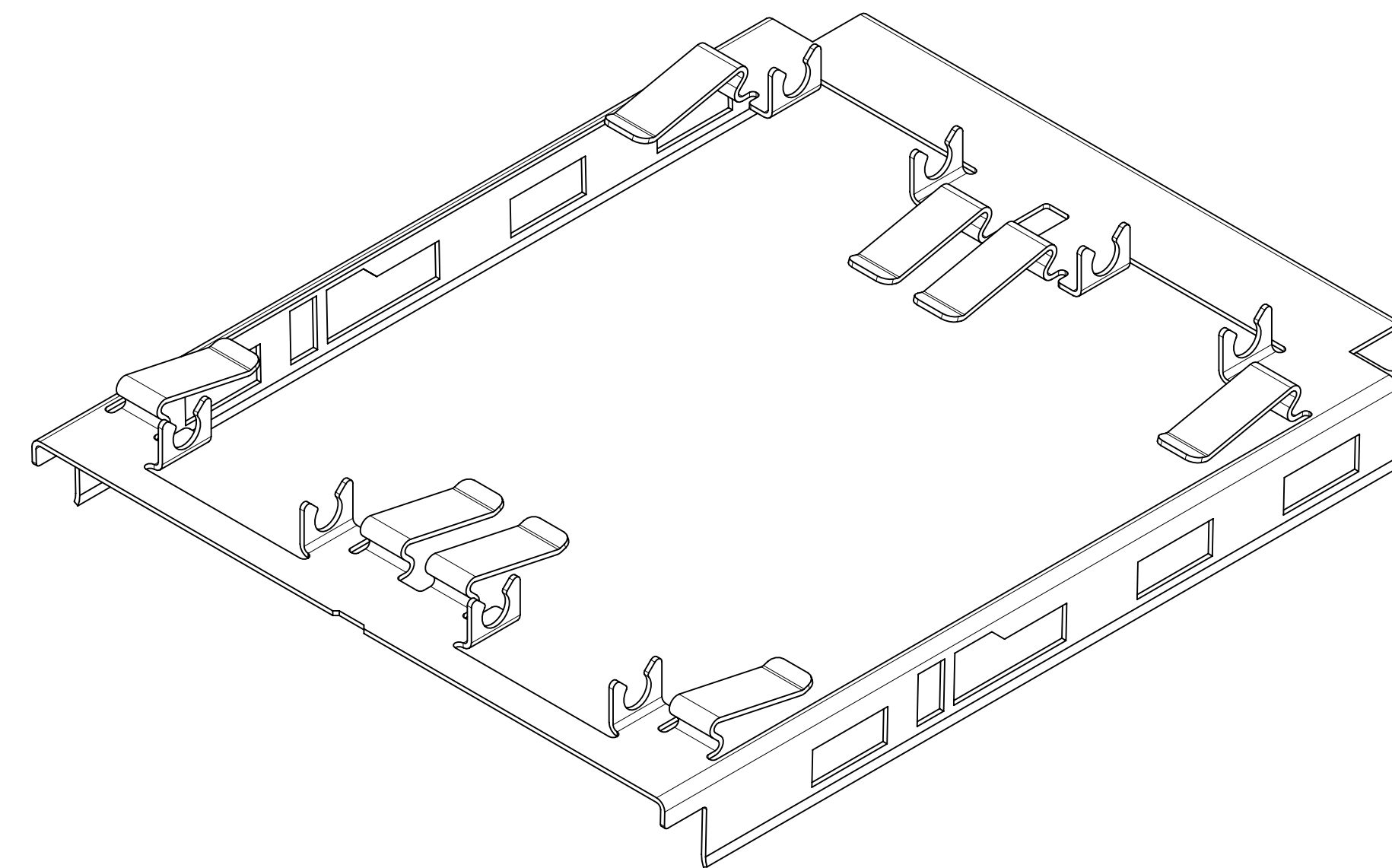
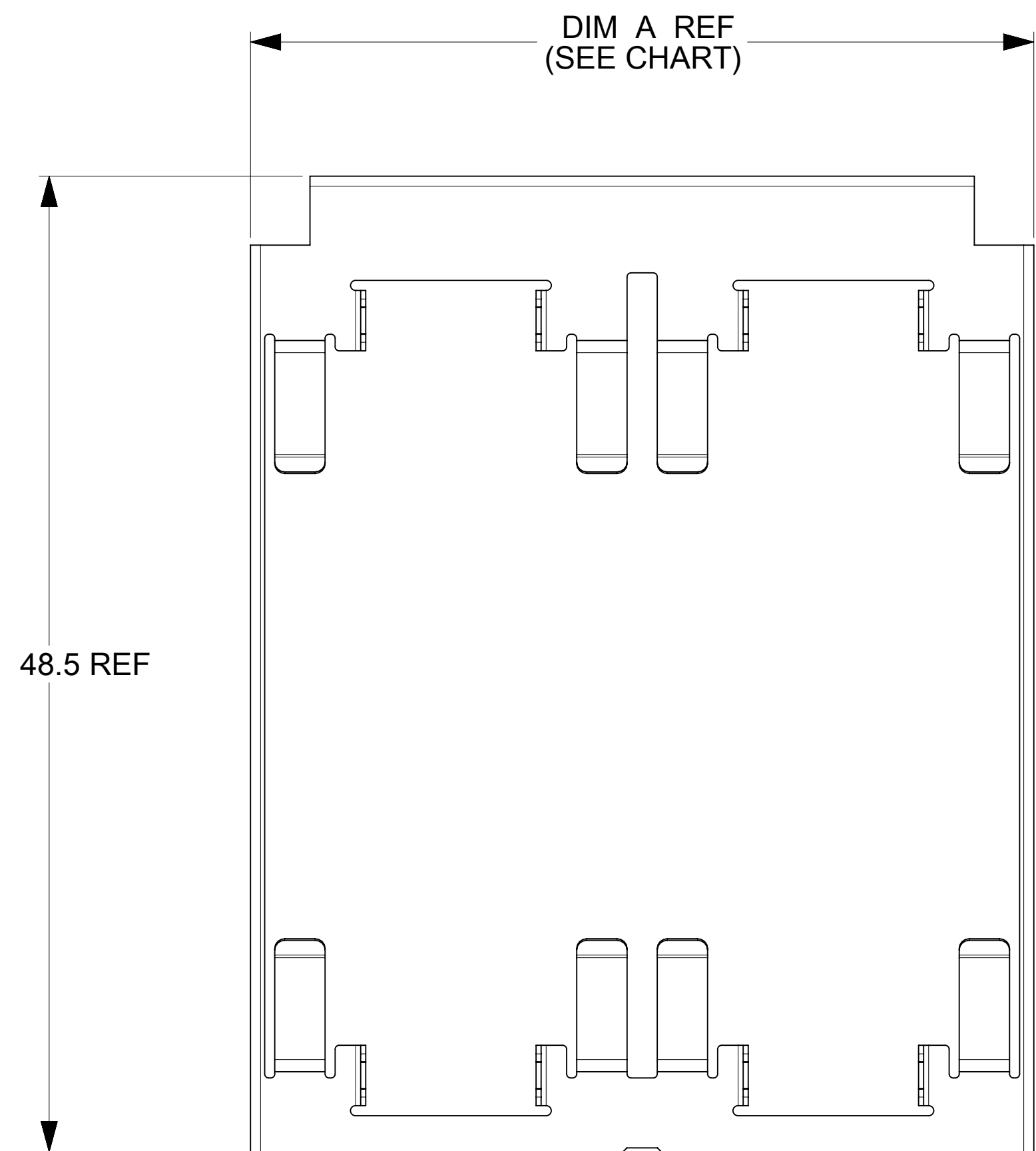


# HEAT SINK CLIP W/OUT LIGHT PIPE(1X2 SHOWN)



MOLEX P/N	PORT SIZE	DIM A
747830262	1X2	38.9
747830363	1X3	57.9
747830462	1X4	76.9
747830562	1X5	95.9
747830662	1X6	114.9

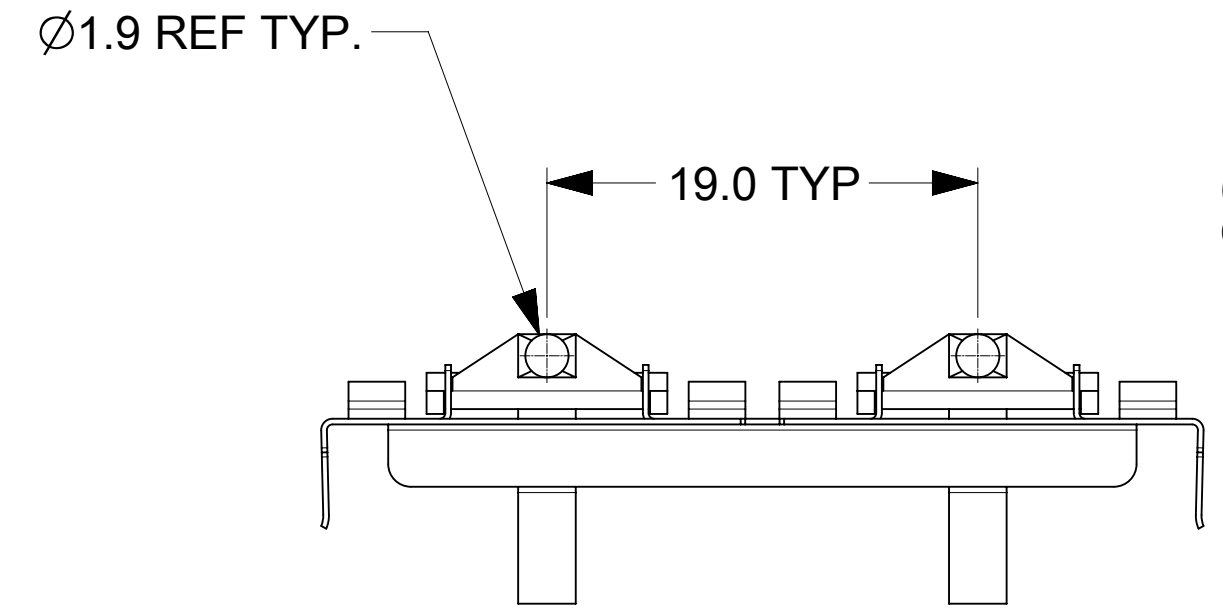
**NOTES:**

1. MATERIAL: STAINLESS STEEL
2. PACKAGING: TRAY
3. NO RoHS EXEMPTIONS

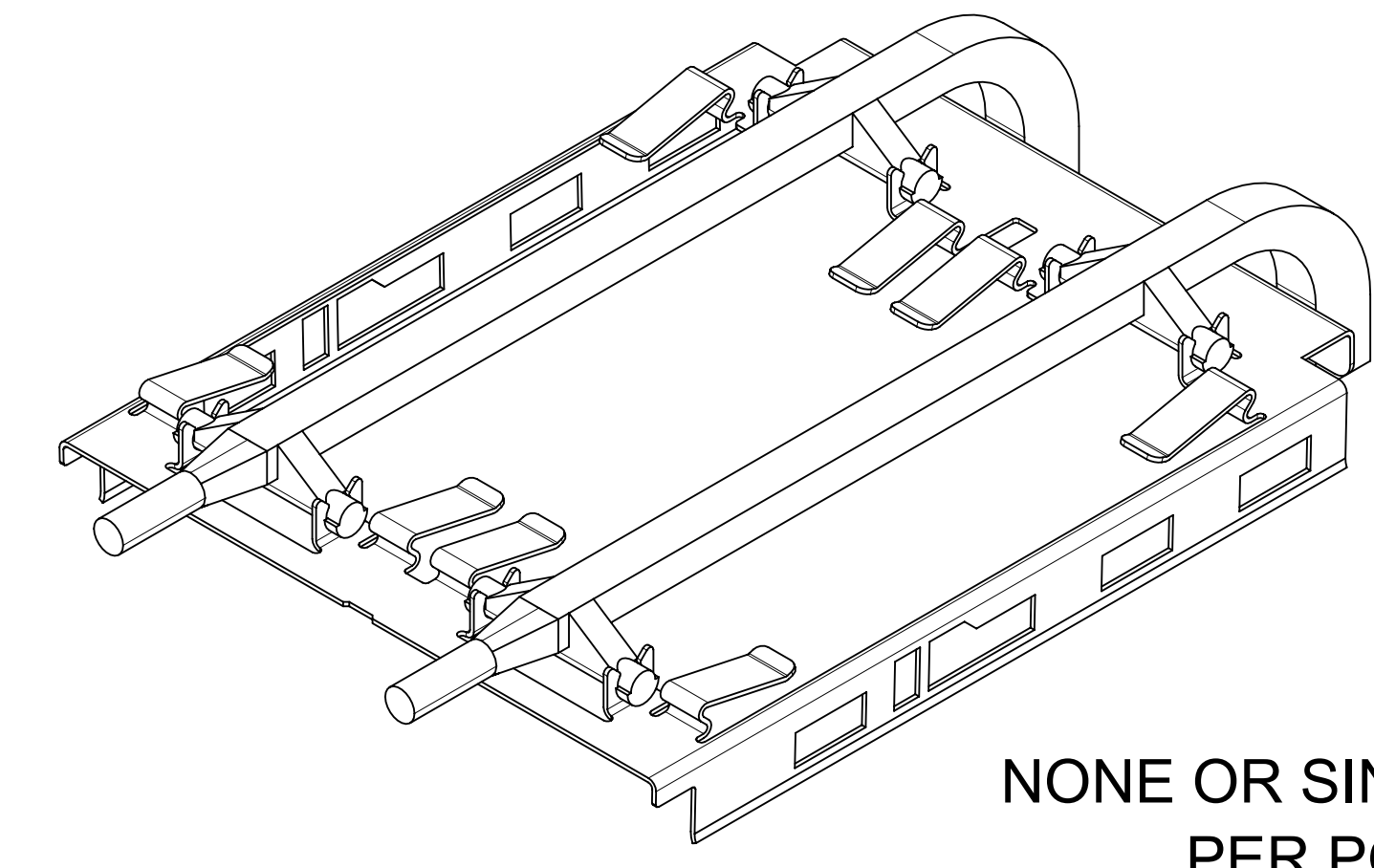
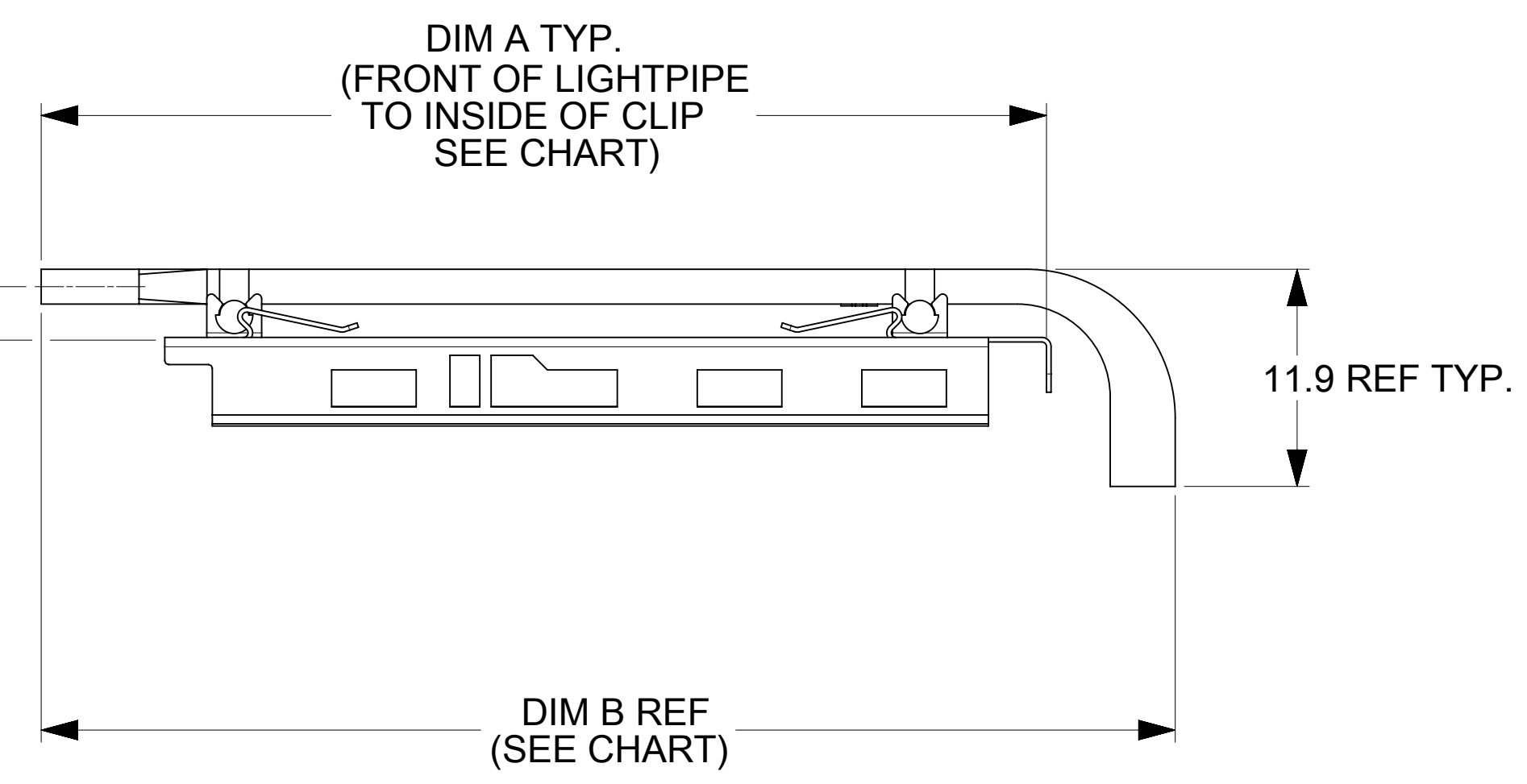
THIS DRAWING CONTAINS INFORMATION THAT IS PROPRIETARY TO MOLEX ELECTRONIC TECHNOLOGIES, LLC AND SHOULD NOT BE USED WITHOUT WRITTEN PERMISSION

DIMENSION UNITS <b>mm</b>	SCALE <b>4:1</b>	CURRENT REV DESC: OBSOLETE PART NUMBER AS PER PCN#509457.				
GENERAL TOLERANCES (UNLESS SPECIFIED)						
	MM	INCH	PRODUCT CUSTOMER DRAWING			
4 PLACES	±	±	DOCUMENT NUMBER			
3 PLACES	±	±	DOC TYPE			
2 PLACES	± 0.15	±	DOC PART			
1 PLACE	± 0.25	±	REVISION			
0 PLACES	±	±	SD-74767-0400			
ANGULAR TOL	± 0.5 °		PSD	001	G	
DRAFT WHERE APPLICABLE MUST REMAIN WITHIN DIMENSIONS	THIRD ANGLE PROJECTION	DRAWING	SERIES	MATERIAL NUMBER	CUSTOMER	
		<b>D-SIZE</b>	<b>74767</b>	SEE TABLE	GENERAL MARKET	
					SHEET NUMBER	
					<b>1 OF 5</b>	

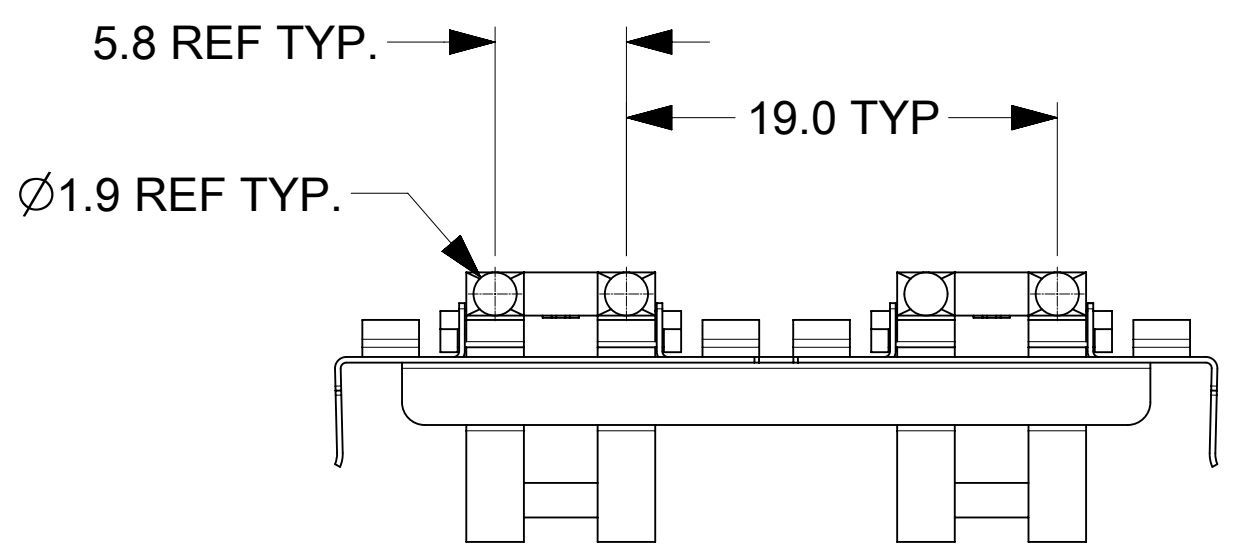
# HEAT SINK CLIP W/ LIGHT PIPE (1X2 SHOWN)



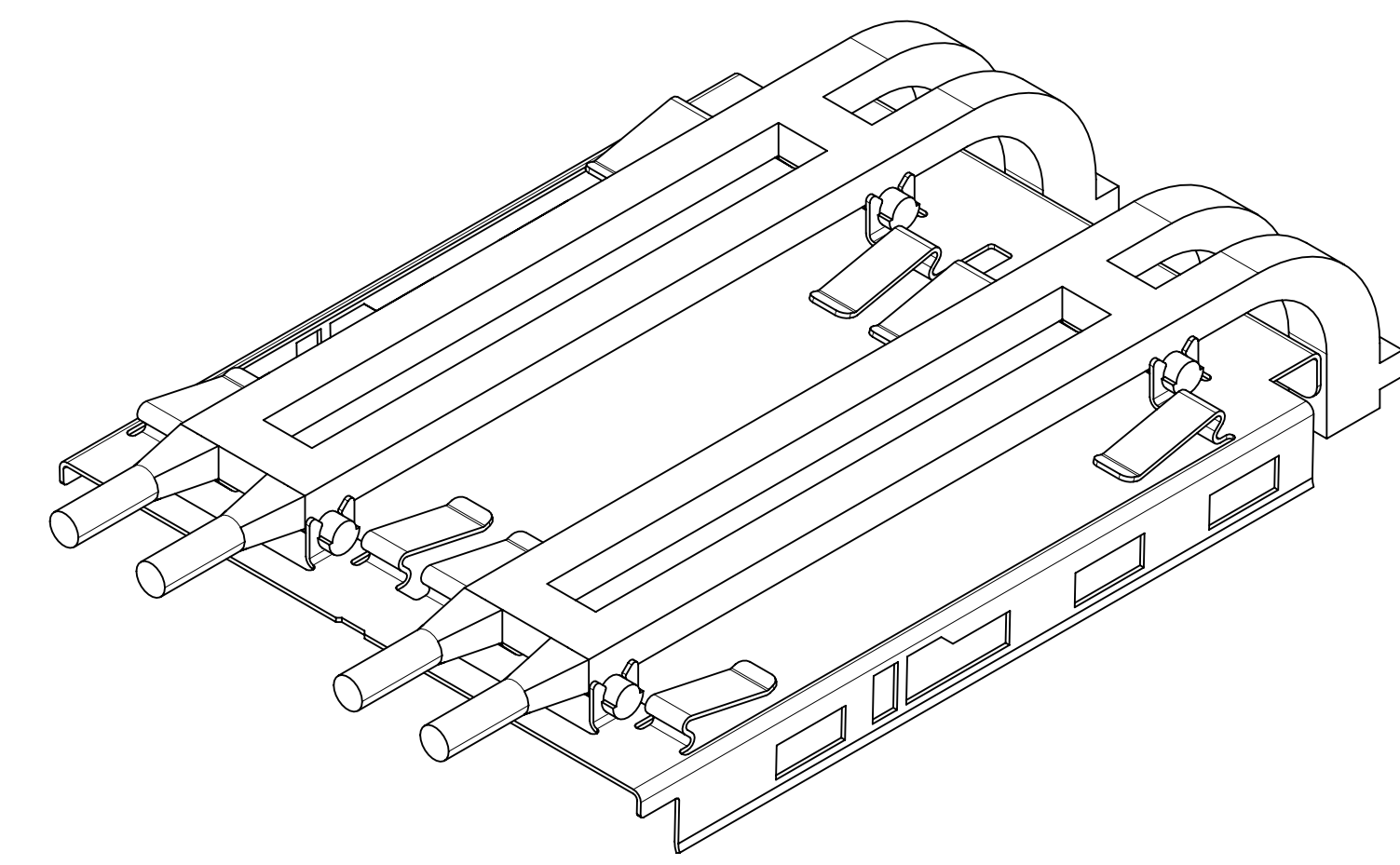
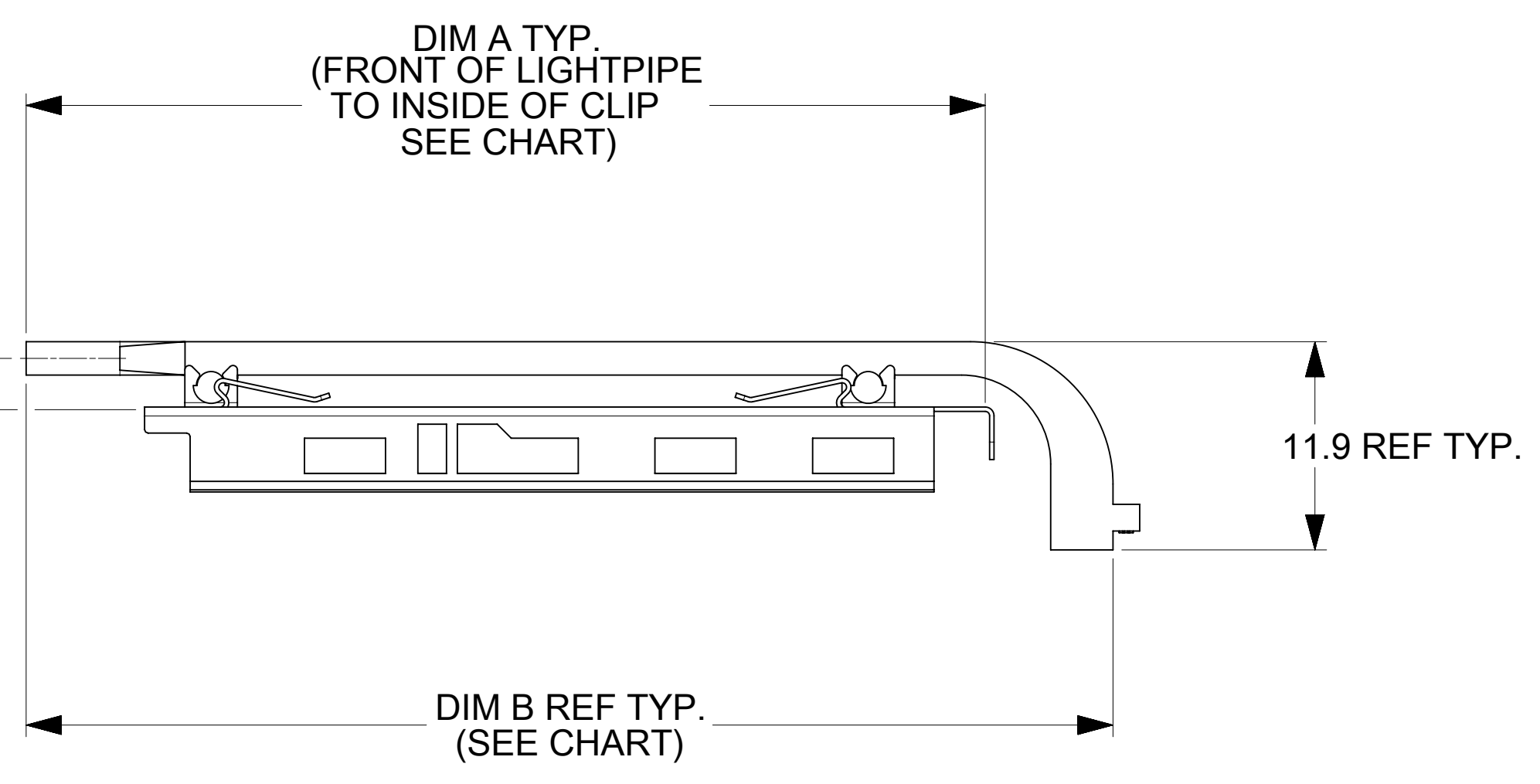
3.0 TYP  
(INSIDE OF CLIP TO  
CENTER OF LIGHT PIPE)



NONE OR SINGLE LIGHT PIPE  
PER PORT  
(747670403 SHOWN)



3.0 TYP  
(INSIDE OF CLIP TO  
CENTER OF LIGHT PIPE)



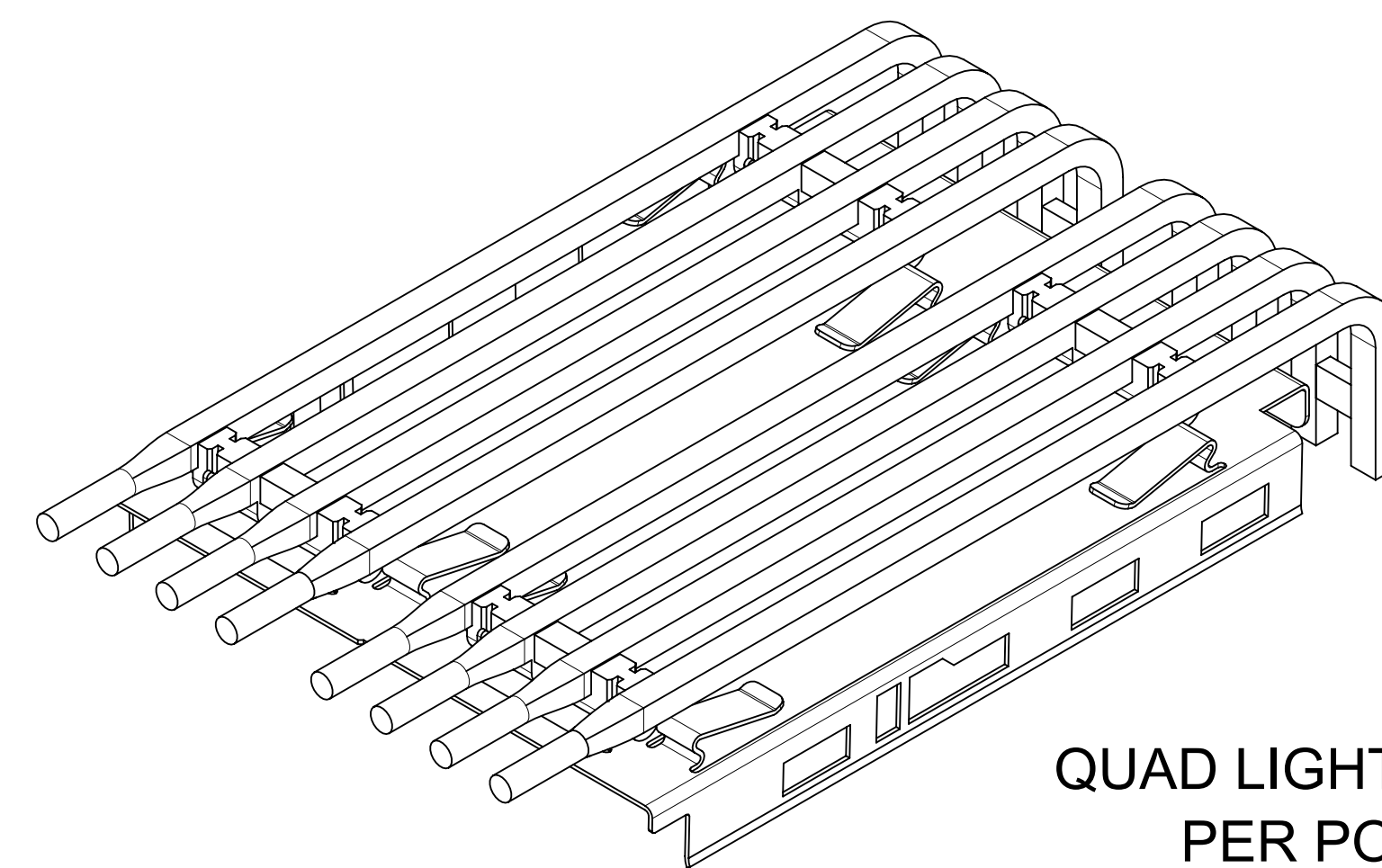
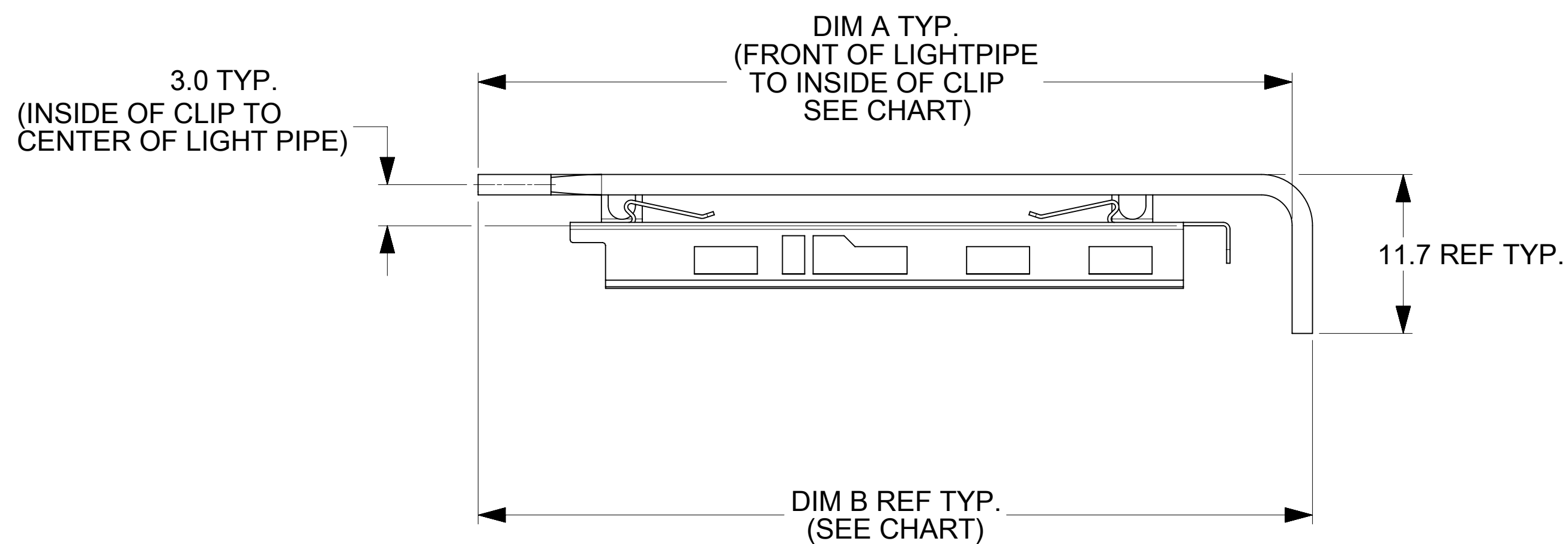
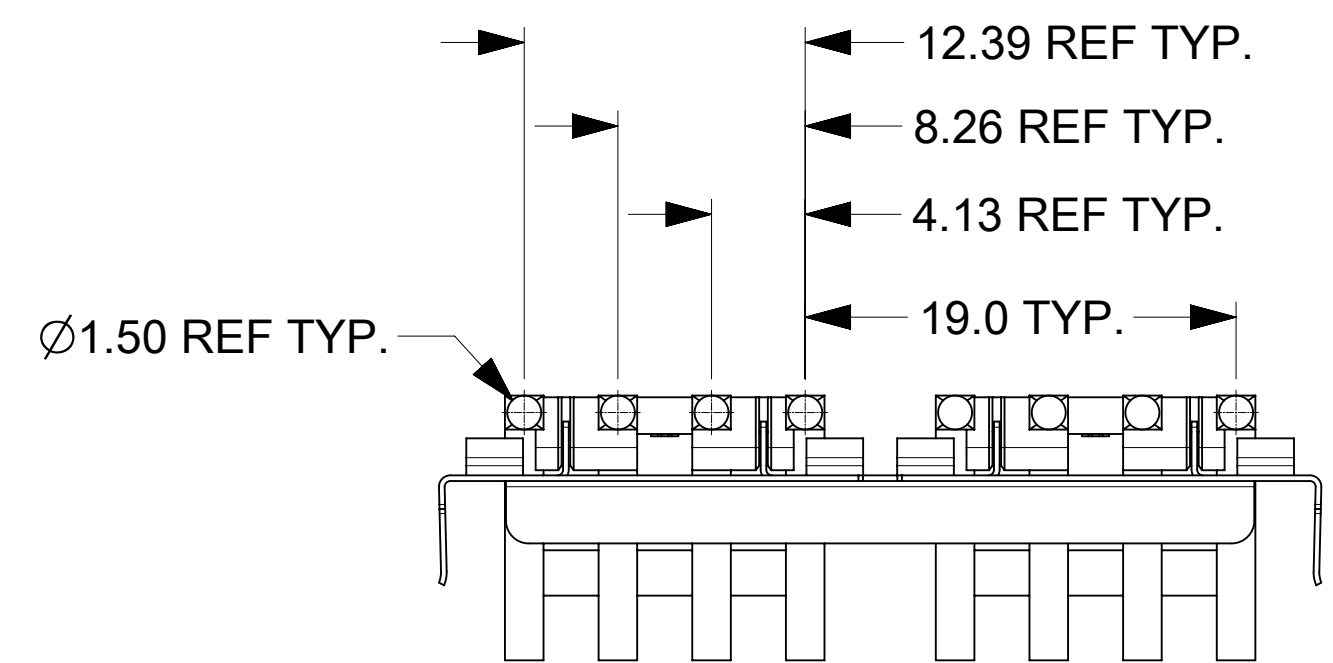
DUAL LIGHT PIPES  
PER PORT  
(747670404 SHOWN)

NOTES:

- MATERIALS:  
LIGHT PIPE CLIP: STAINLESS STEEL  
LIGHT PIPE: POLYCARBONATE (94-V0 RATED)
- PACKAGE: TRAY
- RECOMMENDED LED'S INCLUDE THE FOLLOWING MANUFACTURERS:  
DIALIGHT: 597-77X1-5XX SERIES  
CHICAGO MINIATURE: 7016 SERIES  
KINGBRIGHT: APBL3025 SERIES (BICOLOR)  
APL3015 SERIES (SINGLE COLOR)
- NO RoHS EXEMPTIONS

SEE CHART ON SHEET 3 FOR PART NUMBERS AND CHARTED DIMENSIONS

THIS DRAWING CONTAINS INFORMATION THAT IS PROPRIETARY TO MOLEX ELECTRONIC TECHNOLOGIES, LLC AND SHOULD NOT BE USED WITHOUT WRITTEN PERMISSION											
DIMENSION UNITS <b>mm</b>		SCALE <b>3:1</b>		CURRENT REV DESC: OBSOLETE PART NUMBER AS PER PCN#509457.				<b>molex</b>		1X2, 1X3, 1X4, 1X5, 1X6 QSFP+ HEAT SINKS AND CLIP ASSEMBLIES	
GENERAL TOLERANCES (UNLESS SPECIFIED)											
				4 PLACES ±		±		EC NO: 680890		2021/07/20	
				3 PLACES ±		±		DRWN: SANTHN		2021/11/25	
				2 PLACES ±		0.15 ±		CHK'D: STTAN		2021/11/25	
				1 PLACE ±		0.25 ±		APPR: STTAN		INITIAL REVISION:	
				0 PLACES ±		±		DRWN: BSWAJA		2012/02/09	
				ANGULAR TOL		± 0.5 °		APPR: KLOYD		2012/02/16	
DRAFT WHERE APPLICABLE MUST REMAIN WITHIN DIMENSIONS				THIRD ANGLE PROJECTION		DRAWING		SERIES		MATERIAL NUMBER	
				D-SIZE		74767		SEE TABLE		CUSTOMER	
						GENERAL MARKET				SHEET NUMBER	
										2 OF 5	



QUAD LIGHT PIPES  
PER PORT  
(747670406 SHOWN)

MOLEX PN CLIP & LP ASSEMBLY					DIM A	DIM B	LIGHT PIPES PER PORT
1X2	1X3	1X4	1X5	1X6			
747670403	747680403	747690403	747700403	747710403	55.0	62.0	NONE OR SINGLE
747670404	N/A	747690404	747700404	747710404	55.0	62.0	DUAL
747670406	N/A	N/A	N/A	N/A	55.0	61.3	QUAD

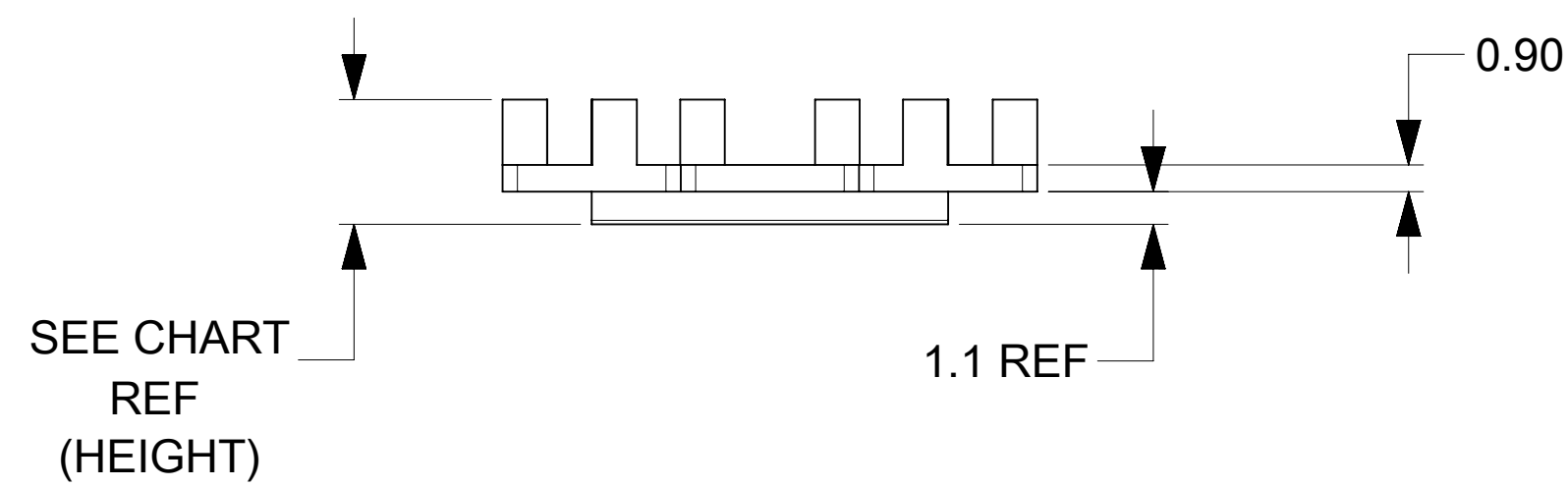
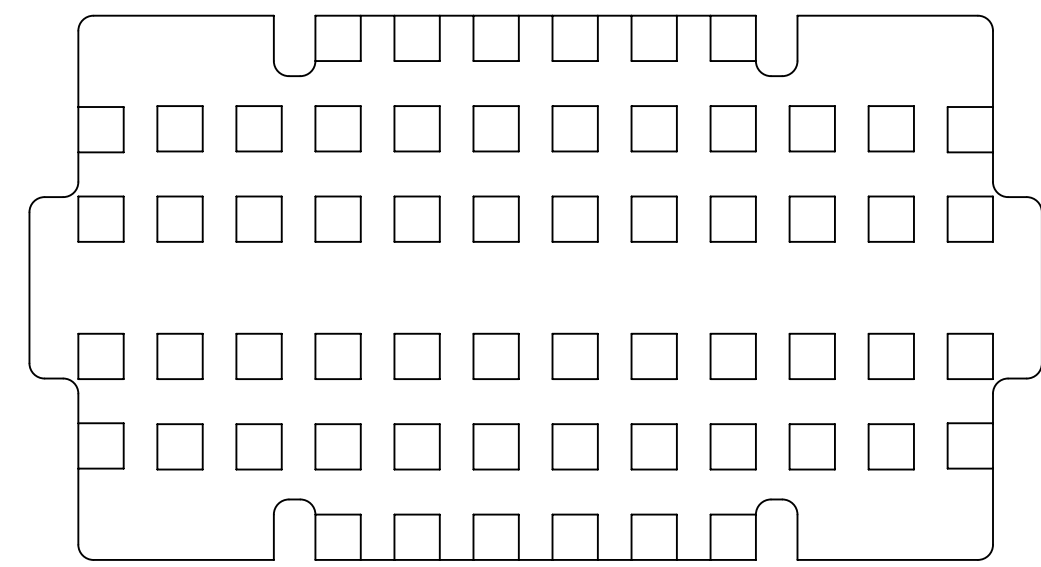
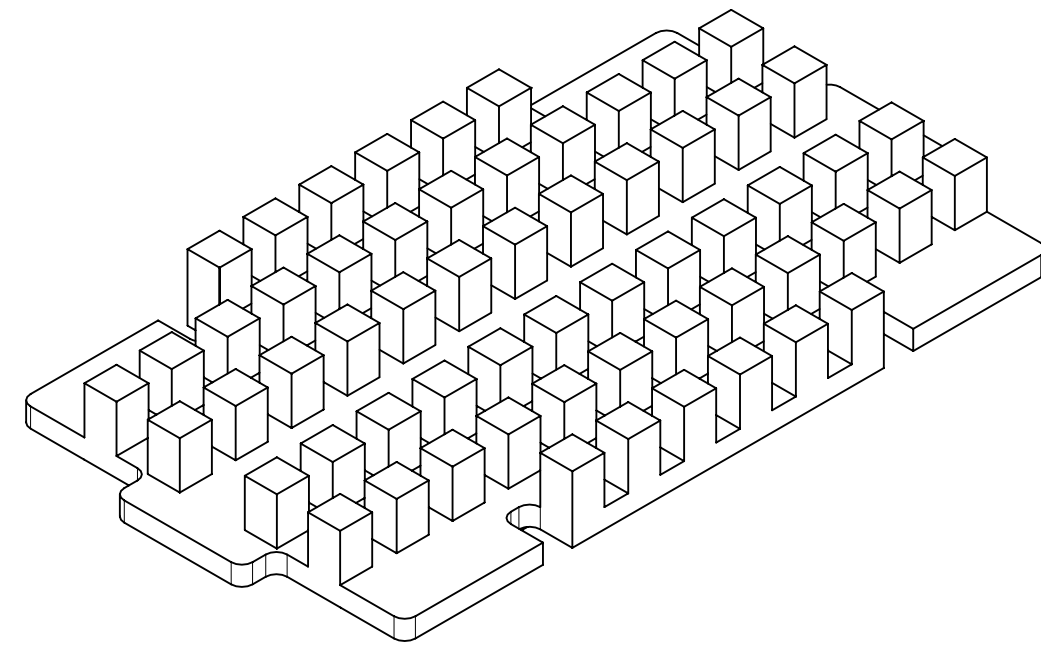
NOTES:

- MATERIALS:  
LIGHT PIPE CLIP: STAINLESS STEEL  
LIGHT PIPE: POLYCARBONATE (94-V0 RATED)
- PACKAGE: TRAY
- RECOMMENDED LED'S INCLUDE THE FOLLOWING MANUFACTURERS:  
DIALIGHT: 597-77X1-5XX SERIES  
CHICAGO MINIATURE: 7016 SERIES  
KINGBRIGHT: APBL3025 SERIES (BICOLOR)  
APL3015 SERIES (SINGLE COLOR)
- NO RoHS EXEMPTIONS

THIS DRAWING CONTAINS INFORMATION THAT IS PROPRIETARY TO MOLEX ELECTRONIC TECHNOLOGIES, LLC AND SHOULD NOT BE USED WITHOUT WRITTEN PERMISSION AS PER PCN#509457.

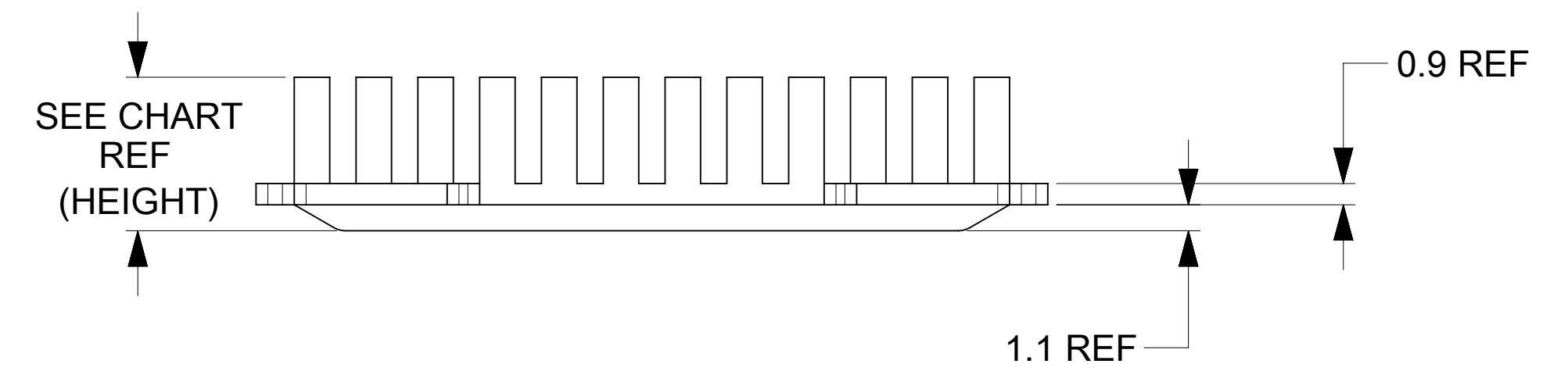
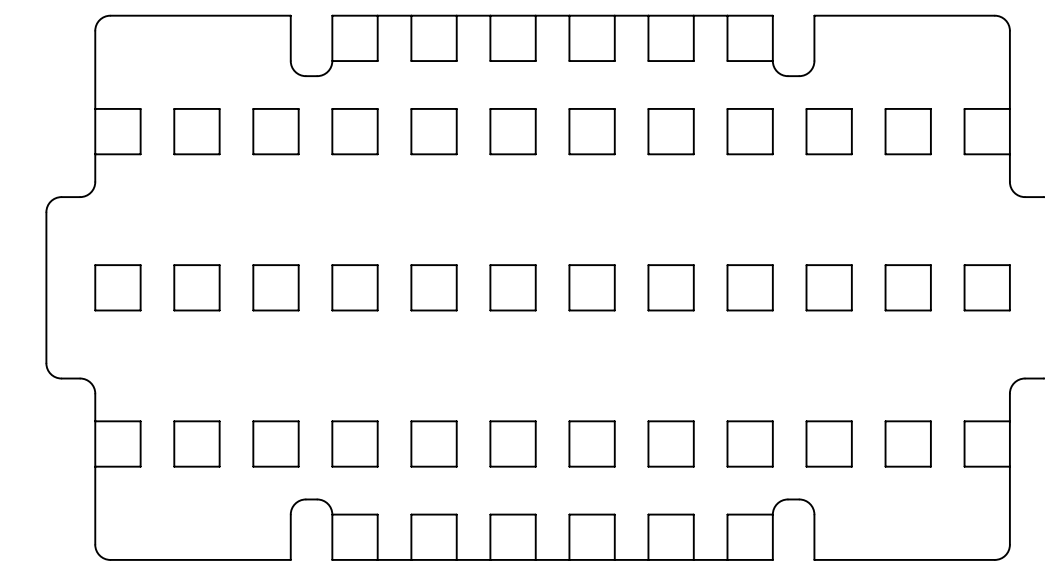
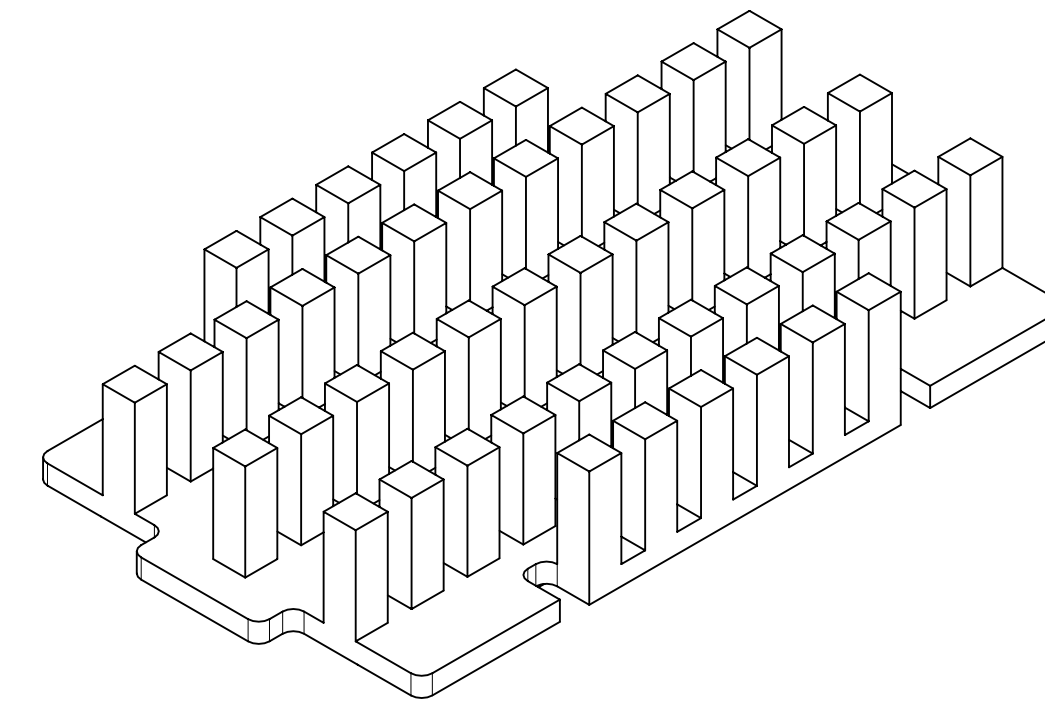
DIMENSION UNITS <b>mm</b>	SCALE <b>3:1</b>	CURRENT REV DESC: OBSOLETE PART NUMBER AS PER PCN#509457.		<b>molex</b>	
GENERAL TOLERANCES (UNLESS SPECIFIED)		EC NO: 680890			
	MM	INCH	DRWN: SANTHN	2021/07/20	PRODUCT CUSTOMER DRAWING
4 PLACES	±	±	CHK'D: STTAN	2021/11/25	
3 PLACES	±	±	APPR: STTAN	2021/11/25	DOCUMENT NUMBER
2 PLACES	± 0.15	±	INITIAL REVISION:		DOC TYPE
1 PLACE	± 0.25	±	DRWN: BSWAJA	2012/02/09	DOC PART
0 PLACES	±	±	APPR: KLOYD	2012/02/16	REVISION
ANGULAR TOL	± 0.5°				<b>SD-74767-0400</b>
DRAFT WHERE APPLICABLE MUST REMAIN WITHIN DIMENSIONS		THIRD ANGLE PROJECTION	DRAWING	SERIES	MATERIAL NUMBER
			<b>D-SIZE</b>	<b>74767</b>	CUSTOMER
					GENERAL MARKET
					SHEET NUMBER
					<b>3 OF 5</b>

NONE OR SINGLE LIGHT PIPES  
PER PORT  
(SAN HEIGHT - 747500314 SHOWN)



HEAT SINK

DUAL LIGHT PIPES  
PER PORT  
(SAN HEIGHT - 747500308 SHOWN)



MOLEX P/N			
NONE OR SINGLE LIGHT PIPE PER PORT	DUAL LIGHT PIPES PER PORT	SYSTEM TYPE	HEIGHT ( mm )
747500314	747500315	PCI	4.2
-----	747500308	SAN	6.5
747500317	747500318	NET	13.5

NOTES:

- MATERIAL:  
HEAT SINKS: BLACK ANNOXIDIZED ALUMINUM
- PACKAGE: TRAY
- CUSTOM HEATSINKS AVAILABLE UPON REQUEST.
- NO RoHS EXEMPTIONS

THIS DRAWING CONTAINS INFORMATION THAT IS PROPRIETARY TO MOLEX ELECTRONIC TECHNOLOGIES, LLC AND SHOULD NOT BE USED WITHOUT WRITTEN PERMISSION AS PER PCN#509457.

DIMENSION UNITS <b>mm</b>	SCALE <b>4:1</b>	CURRENT REV DESC: OBSOLETE PART NUMBER AS PER PCN#509457.		<b>molex</b>			
GENERAL TOLERANCES (UNLESS SPECIFIED)		EC NO: 680890					
		DRWN: SANTHN 2021/07/20		PRODUCT CUSTOMER DRAWING			
4 PLACES ± ±		CHK'D: STTN 2021/11/25		DOCUMENT NUMBER			
3 PLACES ± ±		APPR: STTN 2021/11/25		DOC TYPE			
2 PLACES ± 0.15 ±		INITIAL REVISION:		DOC PART			
1 PLACE ± 0.25 ±		DRWN: BSWAJA 2012/02/09		REVISION			
0 PLACES ± ±		APPR: KLOYD 2012/02/16		SD-74767-0400			
ANGULAR TOL ± 0.5 °		DRAFT WHERE APPLICABLE MUST REMAIN WITHIN DIMENSIONS		MATERIAL NUMBER		CUSTOMER	
		THIRD ANGLE PROJECTION		SERIES		SHEET NUMBER	
		D-SIZE		74767		4 OF 5	
				SEE TABLE		GENERAL MARKET	

