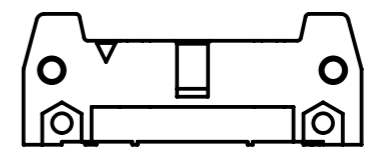
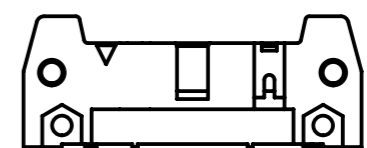
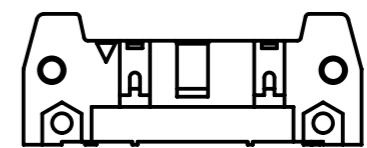



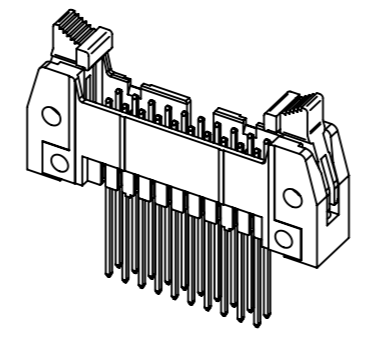
PCB layout
view component side
thickness up to 3,2

coding style table	
	style A: for connectors 6-pole
	style B: for connectors from 10 to 14-pole
	style C: for connectors from 16 to 64-pole

further information
see: DS 09181200001


full range of P/N's and
dimensions shown on page 2/2

	All rights reserved Department EC PD - DE	Created by STORCK	Inspected by TADJE	Standardisation KOHLER	Date 2015-12-21	State Final Release	Ref. Sub.	
	HARTING Electronics GmbH D-32339 Espelkamp	Title SEK 18 male standard conn str WW with short lever 15.0			Type TB	Number 09185XXX917	Doc-Key / ECM-Nr. 100154464/UGD/050/A 50000094595	
							Rev. A	Page 1/2



1st contact
see table for coding,
feature arrangement and style

no. of contacts	performance level			insulator colour	dimensions				
	PL3	PL2	S4		A max.	C	D	E	F
06	09 18 506 7917	09 18 506 6917	09 18 506 5917	grey	27,2	22,86	12,45	2,54 x 2 = 5,08	36,9
10	09 18 510 7917	09 18 510 6917	09 18 510 5917		32,3	27,94	17,53	2,54 x 4 = 10,16	42,0
14	09 18 514 7917	09 18 514 6917	09 18 514 5917		37,4	33,02	22,61	2,54 x 6 = 15,24	47,1
16	09 18 516 7917	09 18 516 6917	09 18 516 5917		39,9	35,56	25,15	2,54 x 7 = 17,78	49,6
20	09 18 520 7917	09 18 520 6917	09 18 520 5917		45,0	40,64	30,23	2,54 x 9 = 22,86	54,7
24	09 18 524 7917	09 18 524 6917	09 18 524 5917		50,1	45,72	35,91	2,54 x 11 = 27,94	59,8
26	09 18 526 7917	09 18 526 6917	09 18 526 5917		52,6	48,26	37,85	2,54 x 12 = 30,48	62,3
30	09 18 530 7917	09 18 530 6917	09 18 530 5917		58,0	53,34	43,83	2,54 x 14 = 35,56	68,2
34	09 18 534 7917	09 18 534 6917	09 18 534 5917		62,8	58,42	48,01	2,54 x 16 = 40,64	72,5
40	09 18 540 7917	09 18 540 6917	09 18 540 5917		70,4	66,04	55,63	2,54 x 19 = 48,26	80,1
50	09 18 550 7917	09 18 550 6917	09 18 550 5917		83,1	78,74	68,33	2,54 x 24 = 60,96	92,8
60	09 18 560 7917	09 18 560 6917	09 18 560 5917		95,8	91,44	81,03	2,54 x 29 = 73,66	105,5
64	09 18 564 7917	09 18 564 6917	09 18 564 5917		100,9	96,52	86,11	2,54 x 31 = 78,74	110,6

	All Dimensions in mm Original Size DIN A3	Scale 1:1	Free size tol.		Ref.
	All rights reserved Department EC PD - DE	Created by STORCK	Inspected by TADJE	Standardisation KOHLER	Date 2015-12-21
HARTING Electronics GmbH D-32339 Espelkamp		Title SEK 18 male standard conn str WW with short lever 15.0			State Final Release
		Type TB	Number 09185XXX917		Doc-Key / ECM-Nr. 100154464/UGD/050/A 50000094595
				Rev. A	Page 2/2